

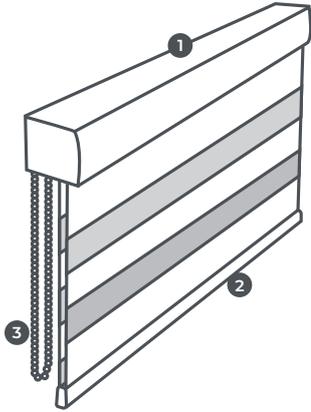
Fifty50™ Blind Fitting Instructions

Cassette Headrail

BLINDS CHILD SAFETY AWARENESS

Keep all cords and chains out of the reach of children. Loose cords or chains should never be tied together.

Parts Identified



- 1 Cassette
- 2 Bottom Bar
- 3 Control Chain

Additional Parts



Screws*



Brackets

Tools Required



Pencil

Screwdriver



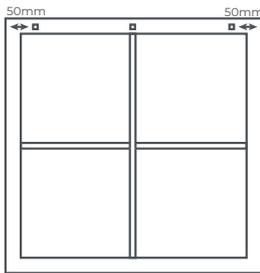
Drill

Tape Measure

Fitting Instructions

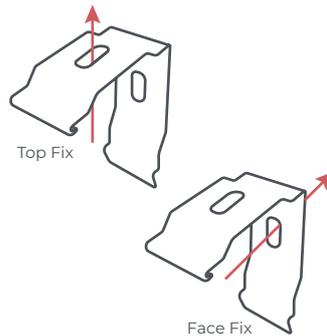
1. Measure

Measure 50mm inside each side of your window frame. This is where the brackets need to be fitted. Additional brackets to be spaced evenly.



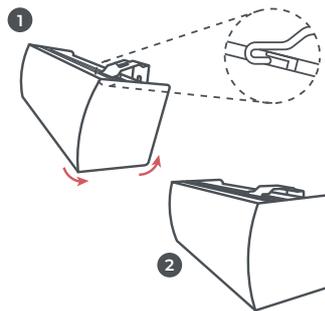
2. Fix Brackets

Choose whether you need to fit your brackets via top fix or face fix.



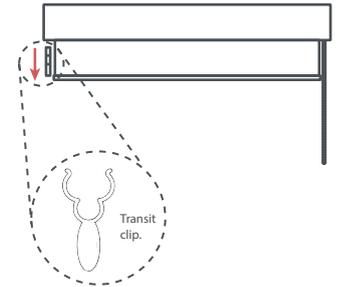
3. Hook, Tilt, Click

Hook ridge of cassette into lip of bracket. Push and tilt cassette until it clicks into place.



4. Remove Transit Clip

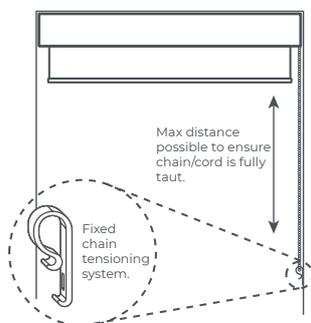
Remove transit clip and discard.



Child Safety

Tensioning Device

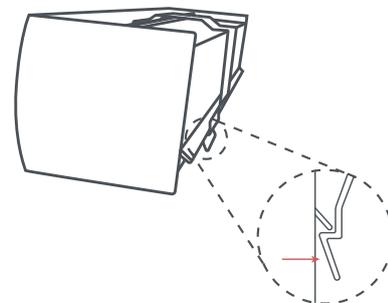
Tensioning device must be attached at 1.5m above the ground. Ensure the chain is fully taut.



Removing the Blind

Unclip from Brackets

Press the release tab on all brackets. Tilt cassette backwards and ease out of brackets.



Cleaning Instructions

Use a dry lint free cloth to wipe over the fabric of the blind.

*If fitting into a wall or lintel you will require rawl plugs.

illumina