

Connect Cassette Roman Blind Kit Instructions

- Please read carefully before commencing

We recommend a professional or a person competent in DIY undertake this installation. These instructions are a guide only.

Please note: Additional fasteners other than those sent with your blind may be required depending on the mounting surface. Wallboard and plaster require the use of anchors such as expansion or togglebolts. Brick, tile or stone need special plugs and drill bits. Remember to always pre-drill holes in wood to avoid splitting.

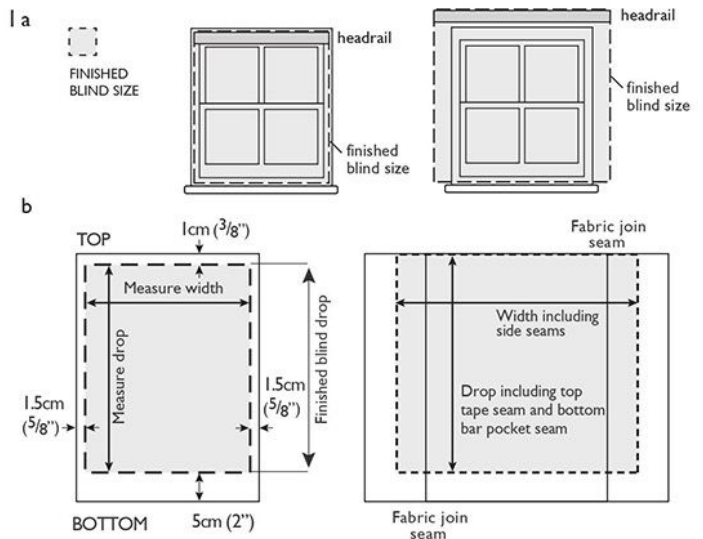


Parts list												
headrail length	headrail (ready corded)	cam support	connect pulley housing	twist & lock end cap	roman rods	bottom bar	CBA snap on cord toggle	loop tape	pocket roman blind tape	headrail Spindle	screws & wall plugs	allen key & cutting aid
60cm	1	2	1 (ratio 1:4)	1	5	1	4	0.62 Mtr	3.2 Mtr	2	4	1
90cm	1	3	1 (ratio 1:4)	1	5	1	6	0.92 Mtr	4.7 Mtr	3	6	1
120cm	1	3	1 (ratio 1:4)	1	5	1	6	1.22 Mtr	6.2 Mtr	3	6	1
150cm	1	4	1 (ratio 1:4)	1	5	1	8	1.52 Mtr	7.7 Mtr	4	8	1
180cm	1	4	1 (ratio 1:4)	1	5	1	8	1.82 Mtr	9.2 Mtr	4	8	1
210cm	1	5	1 (ratio 1:4)	1	5	1	10	2.11 Mtr	10.7 Mtr	5	10	1

1 Fabric requirements for your blind

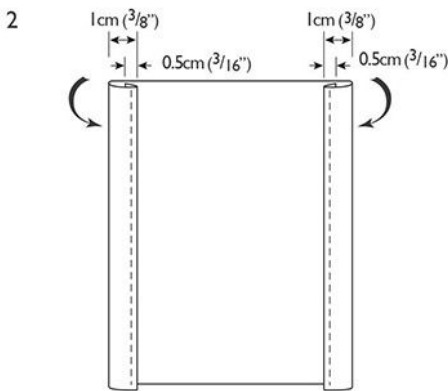
- Measure the width and drop of your window for recess fixed headrail or if you have mounted your blind headrail outside the recess, measure the width of the blind headrail by the drop required.
- Add to the finished blind the measurements shown in diagram B.

On wider blinds more than a fabric width wide, join the fabric so the blind will have seams an equal distance from the centre. Mark the blind size plus seams with tailors chalk. Trim out the size.



2 Sewing the side seams

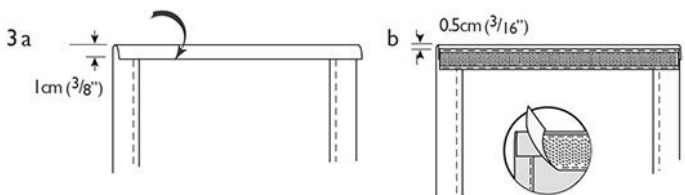
Working on the back of the fabric, fold the side fabric under 0.5cm (3/16") and then over 1cm (3/8") to form a seam and sew down the inner edge. Repeat for the opposite side.



3 Stitching the loop tape to the top of the blind

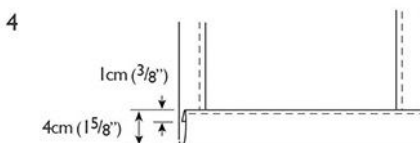
Remove loop tape from headrail

- Fold over the top of the fabric 1cm (3/8").
- Place the loop tape over the fold leaving a 0.5cm (3/16") gap between the tape and the top of the fold. Sew the tape into place with two rows of stitches - a row on top and a row on the bottom of the tape.



4 Sewing the bottom bar pocket

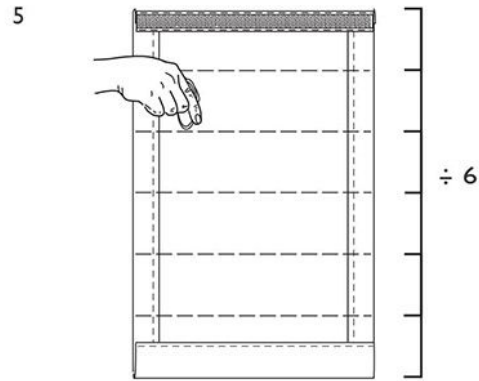
Fold over and create a 4cm (5/8") pocket with a turn over of 1cm (3/8") as shown in the diagram. Stitch along the top edge hem/pocket.



5 Marking the tape positions

Divide the distance between the top and bottom of the blind by 6 and mark at both sides the position. With tailors chalk draw a faint line across the blind. Note: Ensure the lines are parallel before sewing blind in step 6.

These positions can be changed for personal preference

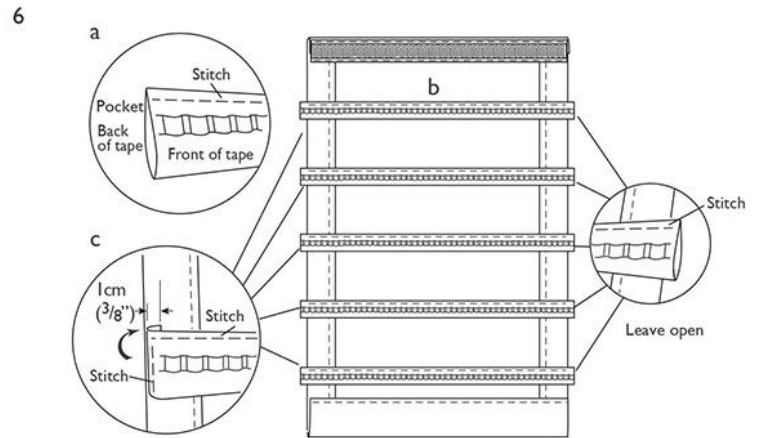


6 Sewing the pocket tape to the blind

a. Rotate the pocket tape so that it is in the upright position with the rear large pocket at the bottom of the tape and the small strip of pockets facing upwards as shown opposite.

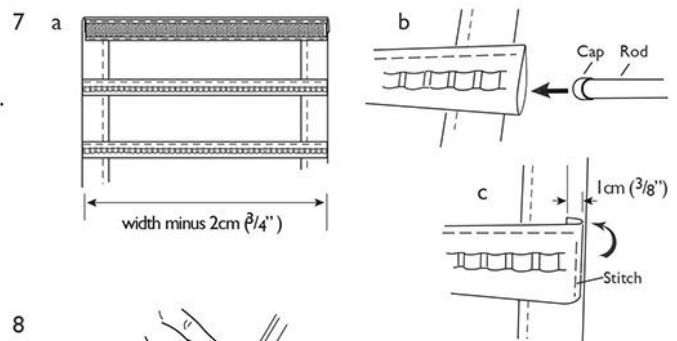
Trim rods and tapes only if required.

- b. Measure and trim the 5 lengths of tape to the blind width plus 1 cm ($\frac{3}{8}$ ") at either end for seams.
- c. Place the lengths onto the chalk marks made previously and turn one side of each length in 1 cm ($\frac{3}{8}$ ") to form a hem on the tape.
- d. Sew to the blind with a row of stitching above the pocket area leaving one pocket end open on each to be hemed later.



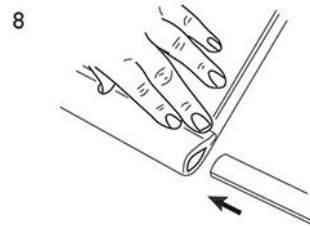
7 Inserting the roman rods

- a. Remove cap and trim the roman rods 2cm ($\frac{3}{4}$ ") shorter than the blind width. Replace cap.
- b. Insert into the open ends of pockets on the blind tape.
- c. Fold the end of the pocket under 1 cm ($\frac{3}{8}$ ") and stitch down the side.



8 Inserting the bottom bar

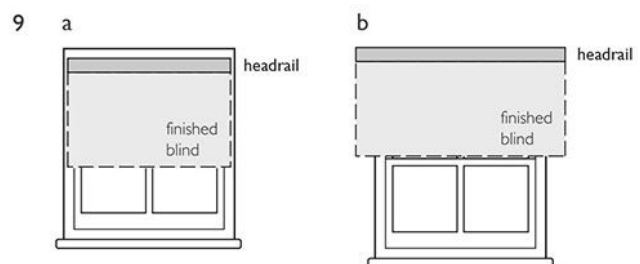
Trim the bottom bar to the same width as the roman rods cut previously (2cm ($\frac{3}{4}$ ") shorter than the blind width). Insert into the bottom pocket of the blind. Place a tacking stitch at each end to hold in place.



9 Positioning the headrail

Note: Additional fasteners other than those sent with your blind may be required (see note on first page).

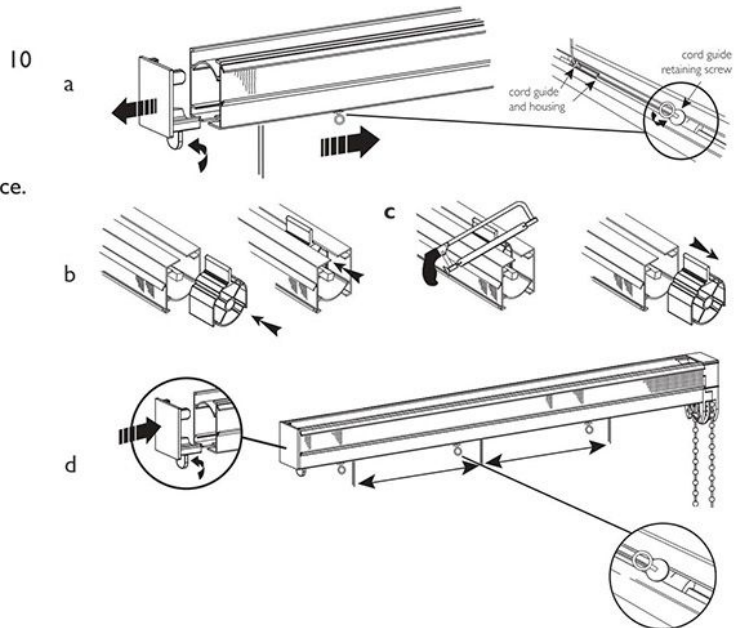
- a. Inside the recess
Decide the position of the headrail so that it will be clear of any latches and window fixtures. If you need to reduce the width of the headrail to fit the recess, this should be done before assembling. See 'Trimming the headrail' on the following page.
- b. Outside the recess
Decide the position of the headrail so that the overlaps on both sides of the recess are equal. It is advisable to allow a minimum of 5cm (2") overlap on each side.



10 Trimming the headrail

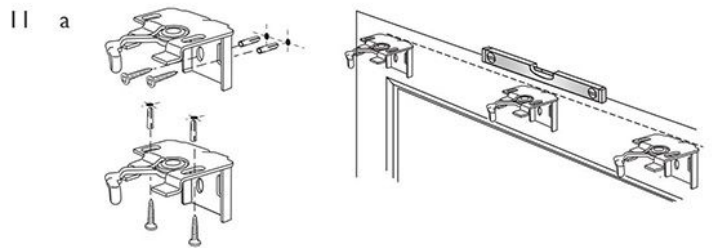
Tools required are a hacksaw.

- Twist and unlock the end cap and remove from the headrail. Unscrew the end cord guide and slide up the headrail. Tighten the screw when in place.
- With the headrail upside down, insert the cutting aid into the headrail to your trimming position.
- Using the cutting aid edge as a guide, carefully trim the headrail with a fine toothed hacksaw, cutting through the inner bar as you do so. Remove the cutting aid.
- Twist and unlock the end cover, reposition and re-lock to secure. Reposition the centre cord guide if needed. Should you wish the blind to draw from the left hand side - see point 15 overleaf before re-securing the guides.



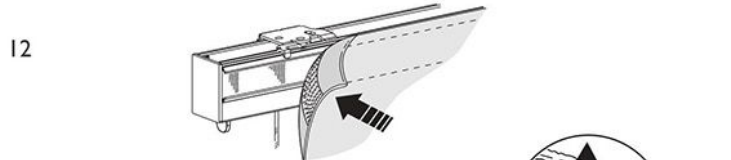
11 Fixing the brackets

- The brackets are designed for face or top fixing to frame, wall or ceiling.
- Mark through the screw holes the position for the cam supports making sure they are level and in line. With the brackets removed, drill each bracket screw position. Using fixtures suitable for your wall type fix brackets in place (see note on first page).



12 Attaching blind to the headrail

Line up the blind/loop tape with the hook tape on the headrail and press firmly to secure the blind in place.

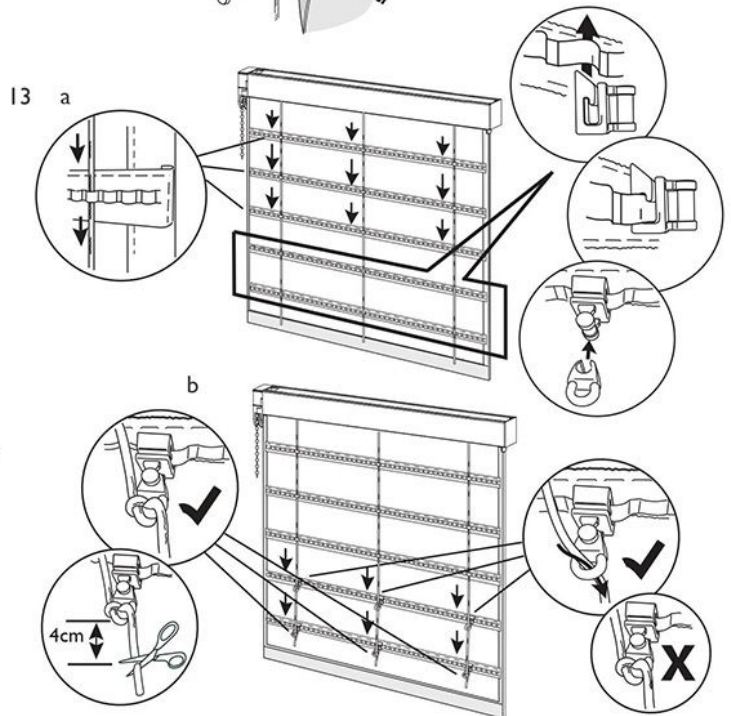


13 Cording the blind

For ease of assembling the headrail is pre-corded.

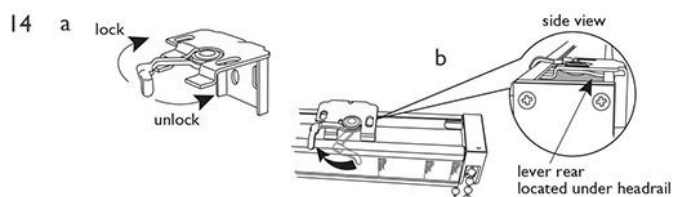
- Working vertically from where each cord will drop from the cord guides, thread the cord through the pocket tape. On the last two rows of pocket tape, insert the CBA snap on cord toggle bases in an upward motion into the pocket tape in line with the cords. Clip on the CBA snap on cord toggle front to each of the bases.
- On the second from last row of CBA snap on cord toggles thread the cord through the toggle loops. Do not tie the cord to this row of snap on cord toggles or allow the cords to become twisted. With the blind held in a level, vertical position, tie the cords to the bottom row of toggle. Adjust knots to the CBA snap on cord toggles so that equal tension is held on each and they are level. Trim any excess cord at a distance of 4cm from the CBA snap on cord toggles.

Should the cords ever become detached please ensure when replacing that they are aligned vertically and that the CBA snap on cord toggles have equal tension on each and they are level.



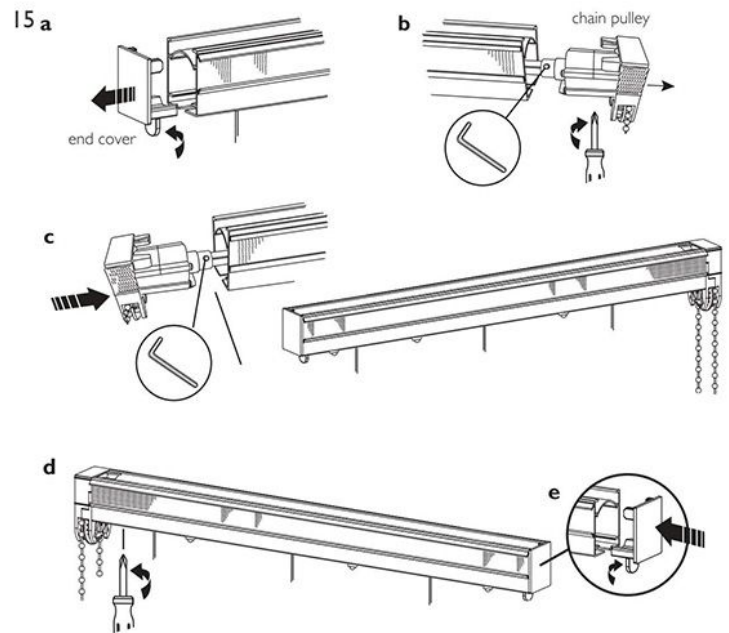
14 Hanging the headrail

- With the cam supports in the unlocked position, mount the headrail onto the supports by resting the front lip of the headrail onto the front of the supports.
- Secure by sliding the lever on the cam supports into the locked position.



15 Converting to left hand draw

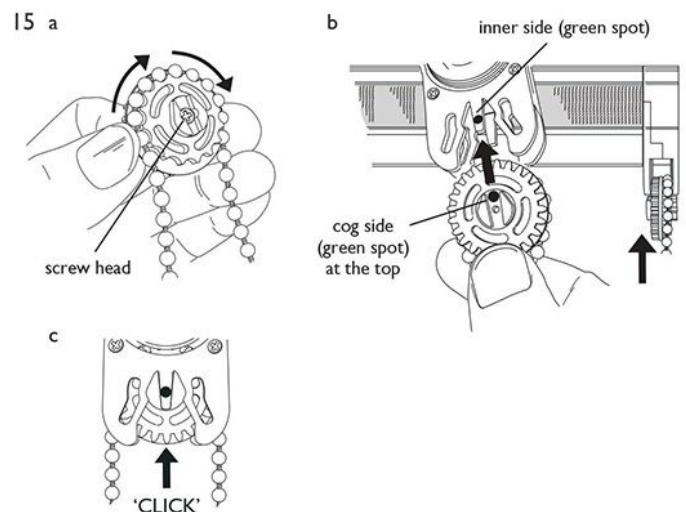
- Twist to unlock the end cover and remove.
- Unscrew and slide out the pulley housing to access the small grub screw. Loosen the screw to release the pulley housing.
- Slide the pulley housing onto opposite end of the shaft and secure with grub screw. Slide pulley housing into the headrail. Unscrew all the spindles and reposition if required.
- Secure pulley housing with small screw underneath.
- Slide the end cover into the opposite end and twist and lock to secure.



Re-installing the connect pulley housing release wheel

- 16 This roman blind is installed with a connect pulley housing which releases the cord chain in the event of a child becoming entangled. Should the cord chain be released please read these instructions carefully before re-installing. Children can be strangled if the connect pulley housing is not properly installed. Use of safety devices helps reduce the risk of strangulation but cannot be considered entirely fool proof.

- Place the cord chain around the pulley wheel on the side with the screw head.
- Holding the cord chain in place, position the cog side of the pulley wheel into the inner side of the connect pulley housing (with one green spot). Make sure the green spot on the centre of the release wheel is to the top when inserted.
- Press the pulley wheel firmly into the housing until it clicks into place.



Please note:

The cord chain must be at least 60cm from the floor.

WARNING

Young children have been strangled by loops in pull-cords, chains and tapes, and cords that operate the product. To avoid strangulation and entanglement, keep cords out of the reach of young children. Cords may become wrapped around a child's neck.

Move beds, cots and furniture away from window covering cords.

Make sure chains do not twist and create a loop.

Children can strangle if the chain safety guide device is not installed.

Always use this device to keep cords out of reach of children.



Keep out of the reach of young children.
Small parts - choking hazard.

Batch code:

Retain these instructions for future reference.