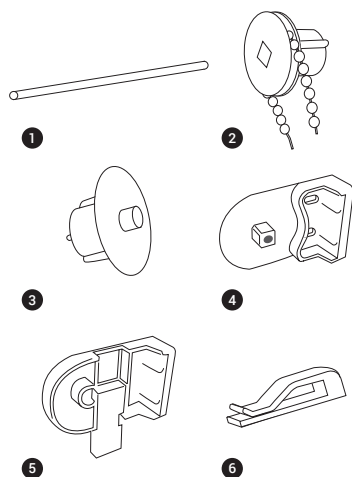


# howto Fit Roller Blinds

## PACK CONTENTS



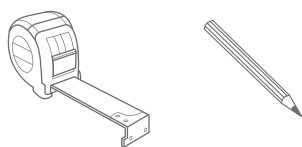
- |   |                |
|---|----------------|
| 1 | Bottom bar     |
| 2 | Cord mechanism |
| 3 | End plug       |
| 4 | Cord bracket   |
| 5 | End bracket    |
| 6 | Safety Device  |

## TOOLS REQUIRED

Screw driver    Drill



Tape measure    Pencil

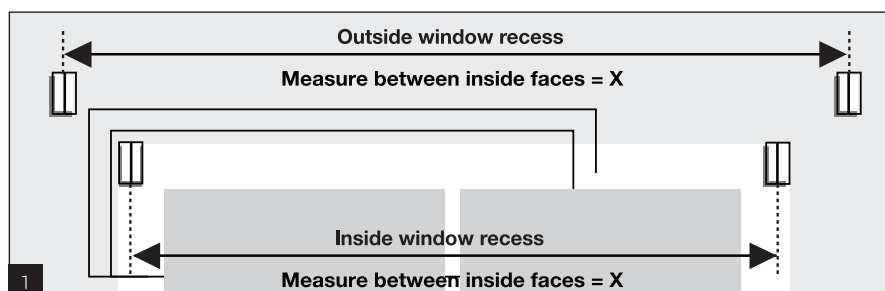


## STEP 1

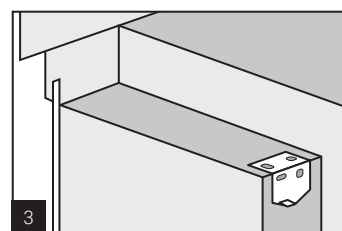
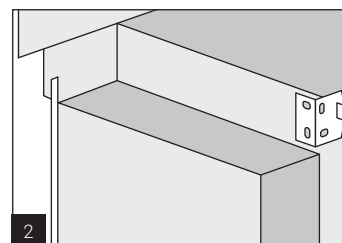
### FIXING THE BRACKETS

NOTE: Head rails should not be installed less than 1.5m from the floor

1. Decide if the blind is to be fitted inside or outside the window recess (fig.1)



2. Select which side you require the blind to be operated (left or right). The position of the sidewinder bracket will be the side that the cord is operated. The brackets can be 'face fixed' to the wall/window frame (fig.2) or 'top fixed' to the recess/ceiling (fig.3).
3. Using a pencil, tape measure and spirit level, mark the positions for the fixing brackets making sure they are both at the same level. This ensures the blind will operate and hang correctly.



**NOTE:** If you are fitting your blind outside the recess, where possible allow a minimum of 100mm overlap on each side and above the window recess.

When fixing to a dry line or stud walls please ensure the correct fixing are used. Be sure to use the correct size and type of drill bit for the wall type/surface you are fixing to. If you are unsure, please seek expert advice.

4. Carefully drill holes and secure brackets as required.

# howto Fit Roller Blinds

## CUTTING YOUR BLIND TO SIZE

### CUTTING BLIND

1. Once the brackets are fixed and secured in the correct position, measure the distance between the inside face of brackets as shown in (fig.1), this is measurement **X**.
2. Use the boxes provided below to note down the required cut size for your tube, fabric and bottom bar using the following calculations.

Roller tube (RT) = X minus 13mm

RT =

Fabric Width (FW) = RT minus 6mm

FW =

Bottom bar (BB) = FW minus 10mm

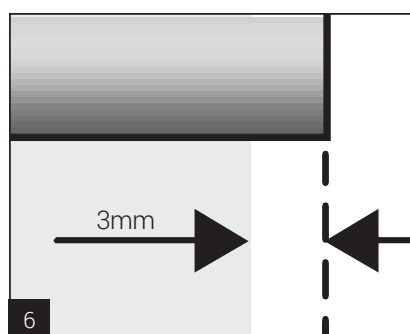
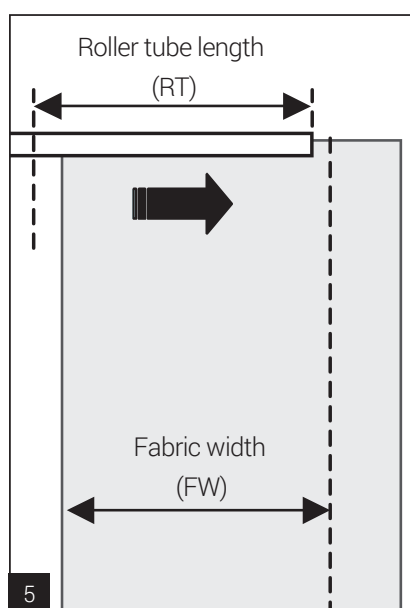
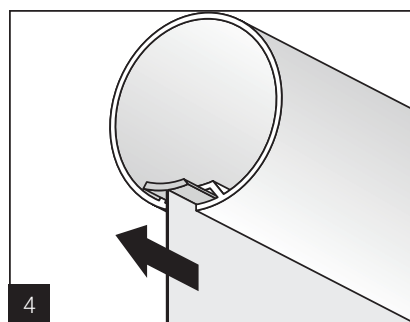
BB =

You now have 3 sizes required to cut your blind.

3. Carefully unroll your blind onto a clean flat surface and remove the bottom bar.
4. Using a sharp pencil mark the cut positions calculated onto the roller tube and fabric.

**NOTE:** If you have a shaped finish (scalloped, eyelet etc.) Then it is important to trim an equal amount from each side to ensure a balanced finish.

5. Slide out the fabric (fig.4), cut the roller tube using a sharp hacksaw and file any sharp edges.
6. Cut the fabric with scissors (fig.5) and slide the fabric back into the roller tube leaving 3mm of tube each side (fig.6).
7. Mark the cut position on the bottom bar calculated BB. Cut to size using a sharp hacksaw and file any sharp edges. Slide the bottom bar back into the fabric hem.
8. Install the cord mechanism into the tube. Position this on the appropriate end of the tube where you would like the cord to be.
9. Install the end plug into the other end of the tube. Ensure the mechanism and bracket are pushed fully into the tube. Now your blind is cut to size and assembled, you are ready to install it onto the fixing brackets.
10. Fit the cord mechanism into the sidewinder bracket and slide the end plug into the end bracket.
11. Check that the blind fully rises and lowers without the breakaway device fouling the cord mechanism. Remove the mechanism and adjust if necessary.

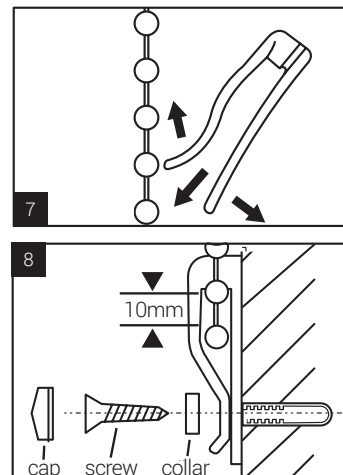


# howto Fit Roller Blinds

PLEASE READ THE INSTRUCTIONS BEFORE OPERATING THIS PRODUCT

## FIXING THE SAFETY DEVICE

1. Open the safety device and insert the chain (fig.7)
2. Pull the clip downward to take any slack out of the chain.  
At this point check that the blind operates easily and the chain is not being over tensioned.
3. Mark the fixing position of the clip. Secure the clip in position using the screw, collar and cap provided (fig.8)



## SAFETY RECOMMENDATION

Only use a Step Ladder to install this product.

DO NOT over reach. Always move the Step Ladder so that you are in a safe working position.

DO NOT hold or lean on the blind to support your weight.

We recommend you use two people for installation of larger blinds.

Take care when using power tools, use of a Residual Current Device (RCD) is recommended.

Always use eye protection when drilling. Beware of hidden pipe runs and cables.

No liability will be accepted for damage or injury caused by incorrectly installed or assembled product.

**PLEASE KEEP OUT OF THE REACH OF YOUNG CHILDREN. SMALL PARTS - CHOKING HAZARD**  
**PLEASE KEEP THESE INSTRUCTIONS AND THE BATCH CODE ON THE PACKAGING FOR FUTURE REFERENCE IN CASE OF ANY QUERIES**

## WARNING

Young children can be strangled by loops in pull cords, chains, tapes and inner cords that operate the product.

To avoid strangulation and entanglement, keep cords out of the reach of young children. Cords may become wrapped around a child's neck. Move beds, cots and furniture away from window covering cords.

Do not tie cords together. Make sure cords do not twist and create a loop.

