

# metal Cassette Roman Blind Kit

## fixing instructions

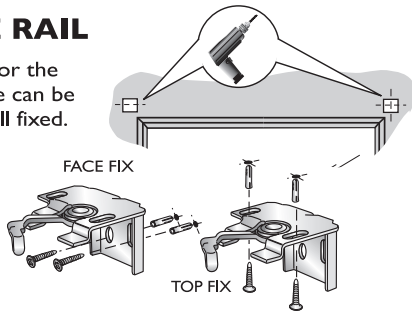
## WARNING

To avoid possible strangulation keep cords out of reach of children. See point 5 below.

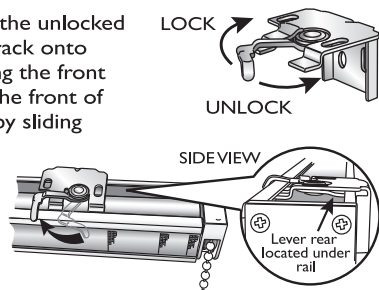


### HANGING THE RAIL

- 1** Mark the position for the cam supports, these can be either ceiling or wall fixed. Drill, wall plug and secure into place.



- 2** With the supports in the unlocked position, mount the track onto the supports by resting the front lip of the track onto the front of the supports. Secure by sliding the cam lever on the supports into the locked position.



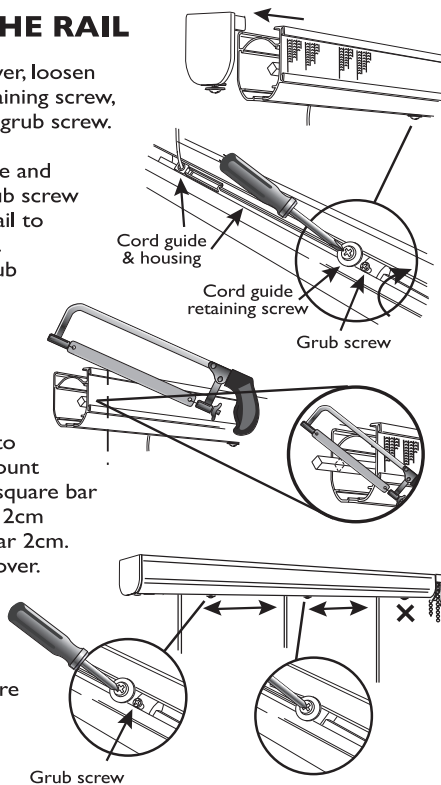
### TRIMMING THE RAIL

- 3** Remove end cover, loosen Cord Guide retaining screw, then loosen the grub screw.

Slide Cord Guide and housing with grub screw further up the rail to desired position. Then re-lock grub screw and Cord Guide retaining screw.

Trim excess rail. When trimming the rail be sure to cut an equal amount from the inside square bar e.g. - trim track 2cm  
- trim the bar 2cm.  
Re-attach End cover.

Unscrew & reposition centre guide if needed. Re-secure guides.

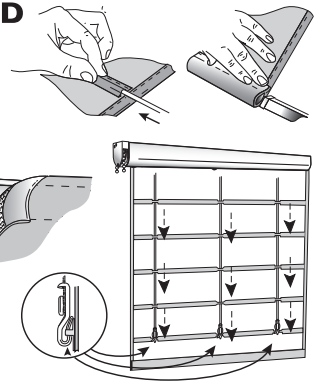


### HANGING THE BLIND

- 4** Slide the roman rods into pockets on your blind. Repeat for the bottom bar.

Attach the blind to the track as shown.

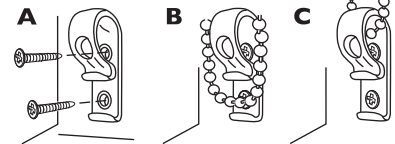
Thread the cords through the roman blind tapes and secure using the cord ties



### MOUNTING THE CORD SAFETY GUIDE

- 5** Mount Cord Safety Guide in a suitable position. Use wall plugs where required.

Sill mount  
Max: 120cm



### LEFT HAND DRAW - (A) Track that has not been trimmed

- 6** End cover
- 

### (B) Track that has been trimmed

