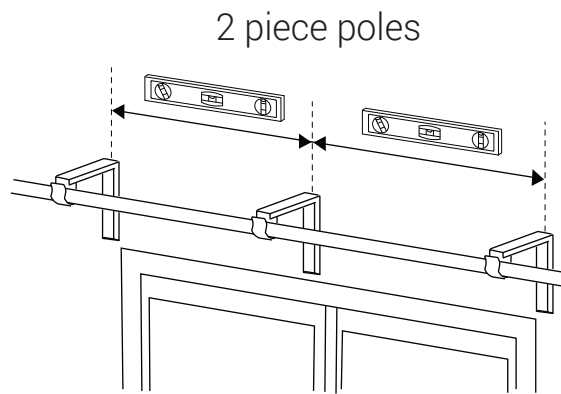
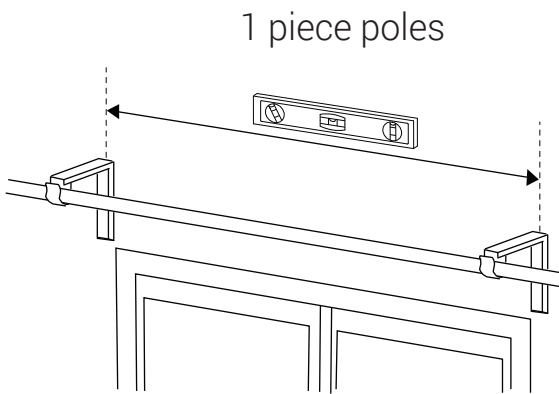
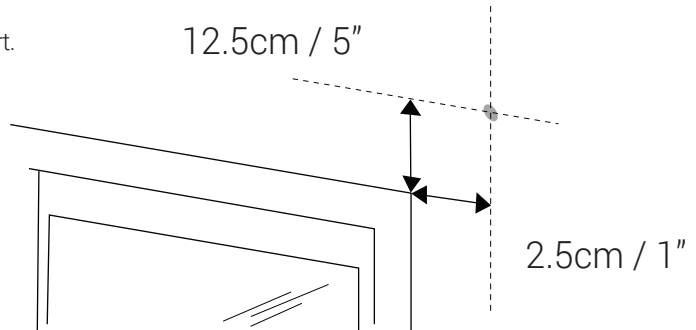
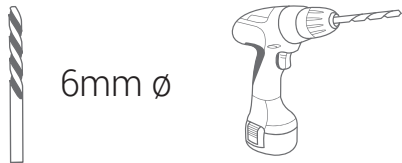


howto Fit Prospect Curtain Poles

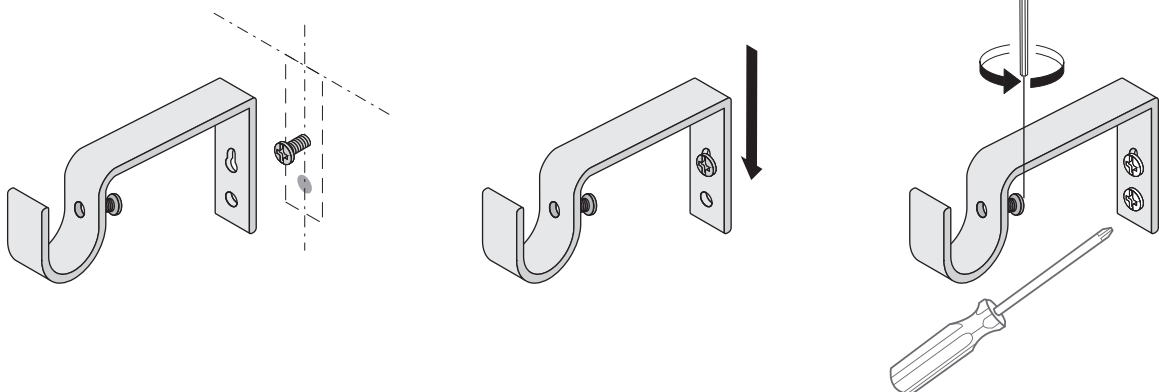
STEP 1

HANGING THE SUPPORTS

Hang supports making sure they are level and 2.5cm PAST the end of the window. 2 piece poles will have a centre support. Wall plugs provided are suitable for most wall types.



Using the allen key insert the grub screws into the rear of the support cups.

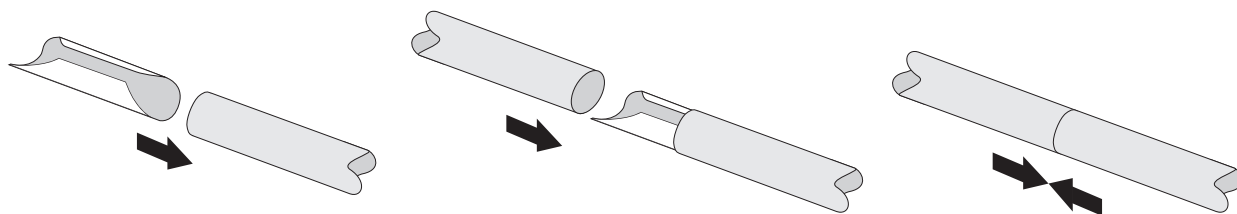


howto Fit Prospect Curtain Poles

STEP 2

JOINING THE POLES

For 2 piece poles join the poles together using the connector provided.



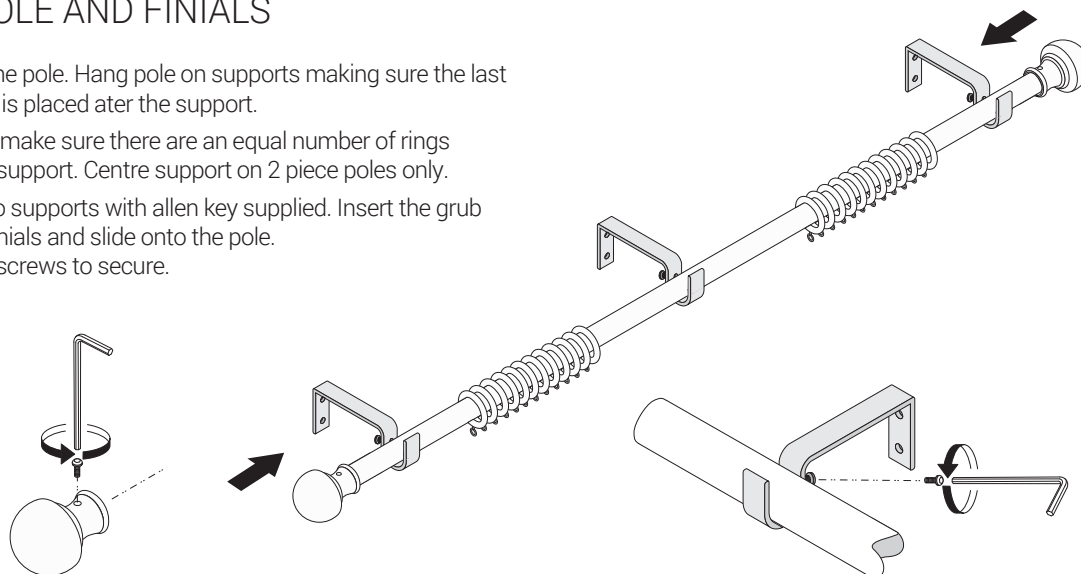
STEP 3

FITTING POLE AND FINIALS

Slide rings onto the pole. Hang pole on supports making sure the last ring at either side is placed after the support.

For 2 piece poles make sure there are an equal number of rings either side of the support. Centre support on 2 piece poles only.

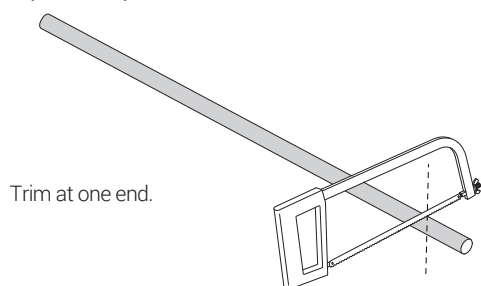
Secure the pole to supports with allen key supplied. Insert the grub screws into the finials and slide onto the pole. Tighten the grub screws to secure.



TRIM THE POLE ONLY IF REQUIRED

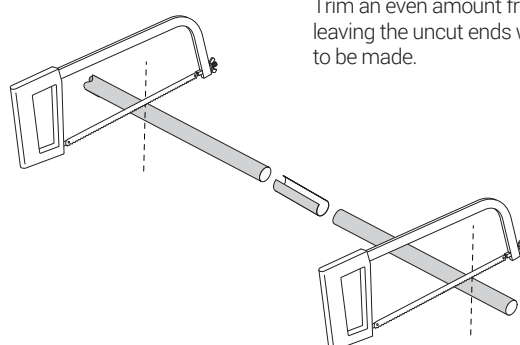
If you need to trim the width of the pole, ensure you trim at the outer ends of the pole. We recommend a professional or a person competent in DIY undertake this installation

1 piece poles



Trim at one end.

2 piece poles



Trim an even amount from each end, leaving the uncut ends where the joints to be made.