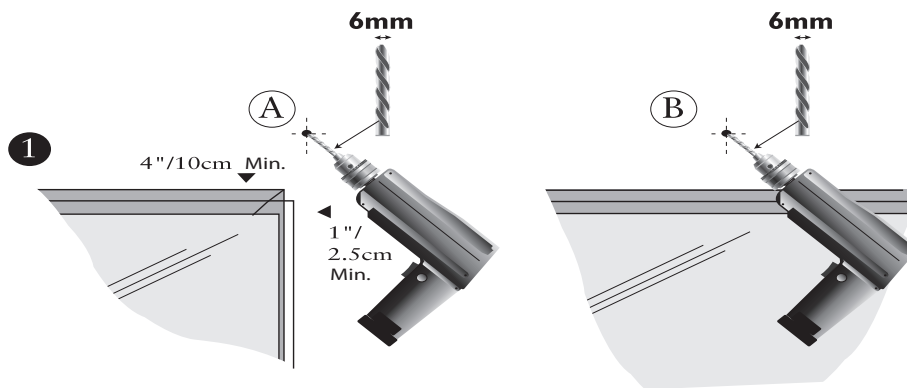


Nikola Pole Fitting Instructions

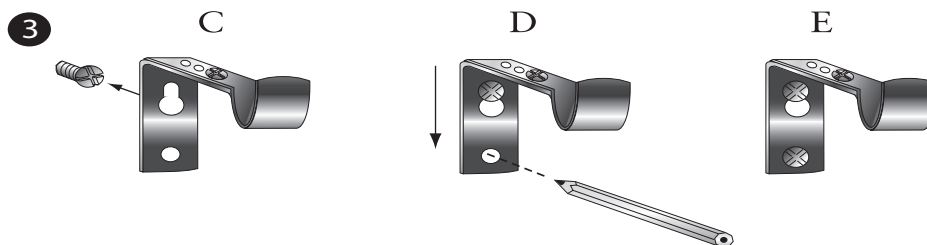


Mark & drill top holes of the support (A) using a 6mm drill bit. On longer length poles mark and drill top hole (B) in the middle for centre support. Fix screw until screw head is approx. 3mm from the wall.



If required, extend support to desired length and fasten securely using the small grub screw.

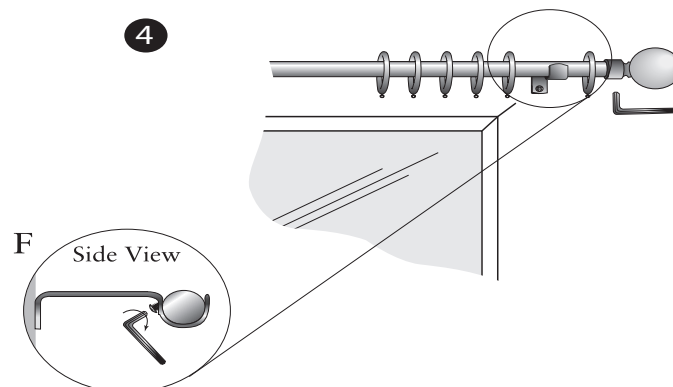
Practical Tip: Insert the small screw behind the support cup now (figure F), but do not tighten until pole has been positioned.



Hook support onto the screw head using the larger key-hole (C).

Slide the support downward into position before marking and drilling the bottom support hole (D).

Tighten both screws to hold support firmly in position (E).

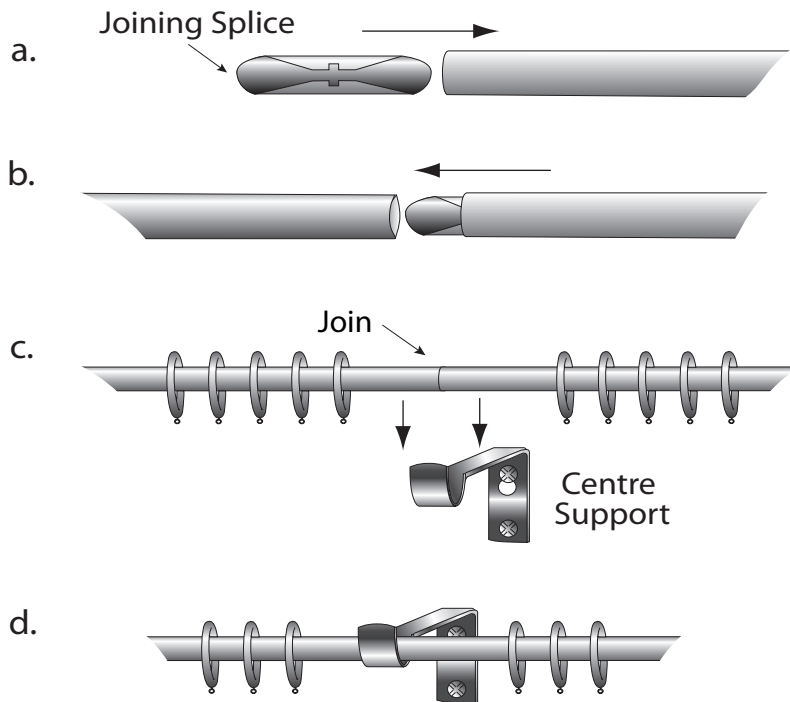


Add rings and finials.

Position one ring at each end between the finial and the support, this will act as an end stop.

Place the pole into the supports & tighten the grub screw behind the support cup to hold the pole firmly in place.

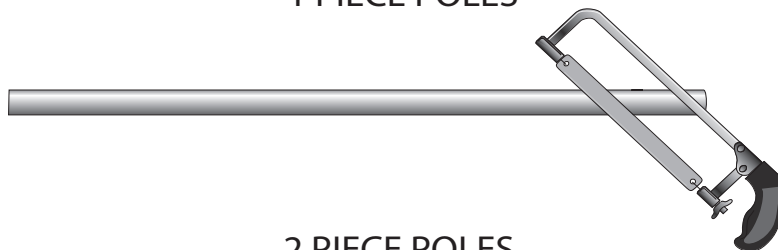
Joining 2 Piece Poles



On 240, 300 & 360cm poles. Slide the joining splice into the first pole end(a). Then push the poles together(b). Slide on your rings remembering to leave one at each end as an end stop(c). Position the poles to hide the join behind the centre support(d). Use the allen key to tighten the grub screw behind the support cup to hold in position.

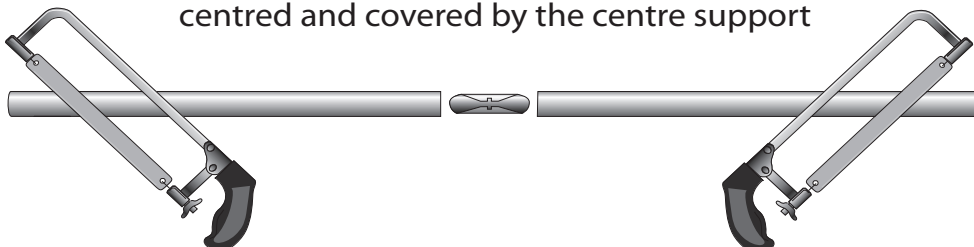
Cutting Poles

1 PIECE POLES



2 PIECE POLES

- cut an equal amount off both poles to ensure join remains centred and covered by the centre support



Please Note: Component parts may vary in style from shown.