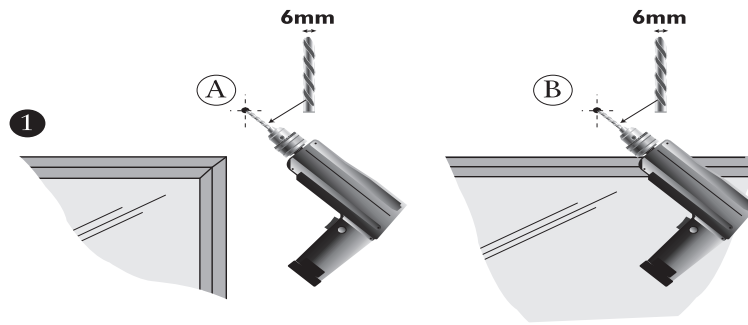
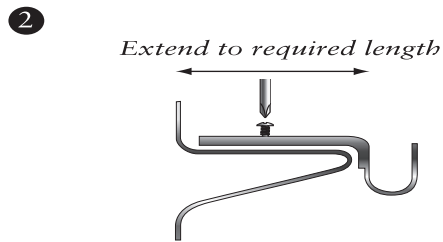


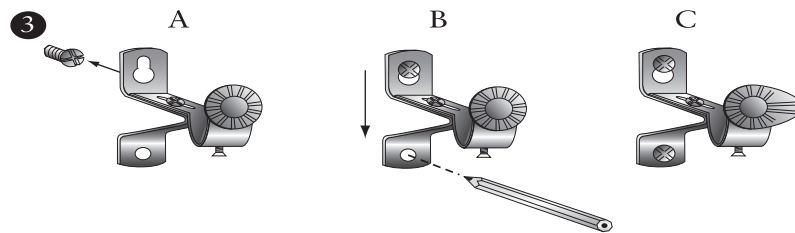
16-19mm Concept Fitting Instructions



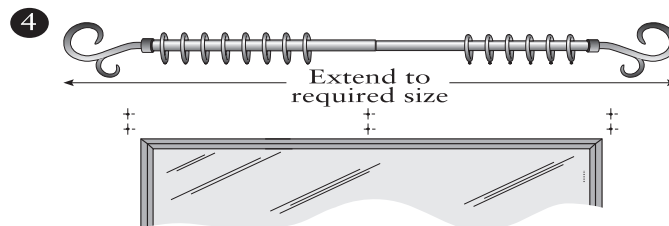
Mark & drill top holes of the support (A) using a 6mm drill bit . On longer length poles mark and drill top hole (B) in the middle for centre support. Fix screw until screw head is approx. 3mm from the wall.



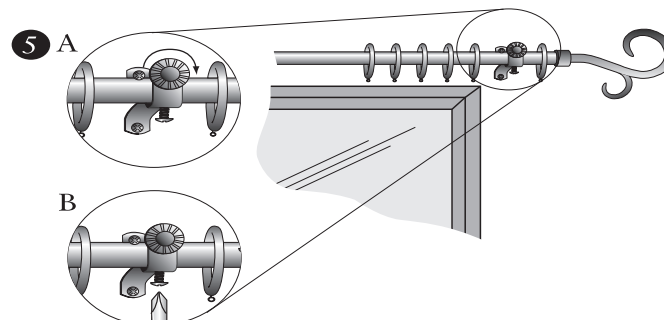
Position support together as shown and fasten securely using the small grub screw.



Hook support onto the screw head using the larger key-hole (A) — Slide the support downward into position before marking and drilling the bottom support hole (B). Tighten both screws to hold support firmly in position (C).



Extend the pole to required length, add rings and finials. Position one ring at each end between the finial and the support, this will act as an end stop.



Place the pole into the supports & tighten the screws to hold the pole firmly in place.

Component parts may vary in style.