

* Pole lengths of 240cm and above are supplied in pieces with joining splice. All sizes approx.

County

County Wood

A firm favourite, County Wood is now available in five finishes. This traditional wooden pole comes as a complete set with matching finials and rings. County Wood has a 2 piece Support and features a screw-in back-plate for strength.



28mm County Wood Cream Finish



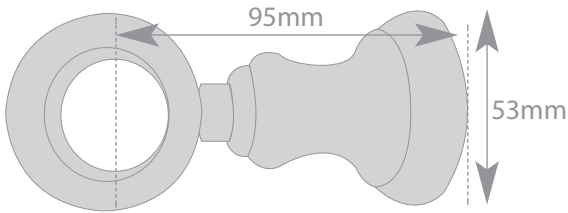
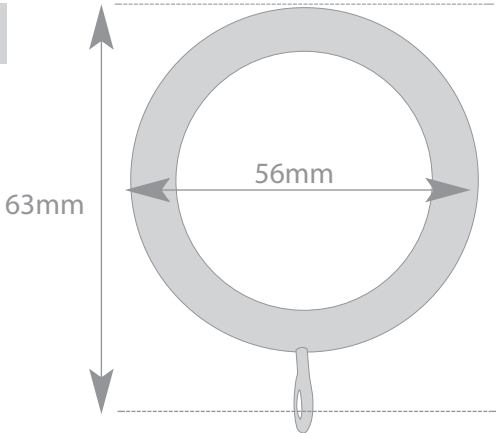
28mm County Wood Chestnut Finish



28mm county wood poles

Measurements for the poles diameter, rings and supports.

SIZE	NO OF RINGS/ GLIDERS	NO OF SUPPORTS
120cm	12	2
150cm	16	2
180cm	18	2
240cm	24	3
300cm	30	3
400cm	40	3
Rings	4pk	



County

County Wood

A firm favourite, County Wood is now available in five finishes. This traditional wooden pole comes as a complete set with matching finials and rings. County Wood has a 2 piece Support and features a screw-in back-plate for strength.



28mm County Wood White Finish



28mm County Wood Antique Pine Finish



28mm County Wood Light Ash Finish

28mm
diameter

28mm county wood poles

Measurements for the poles diameter, rings and supports.

SIZE	NO OF RINGS/ GLIDERS	NO OF SUPPORTS
120cm	12	2
150cm	16	2
180cm	18	2
240cm	24	3
300cm	30	3
400cm	40	3
Rings	4pk	

