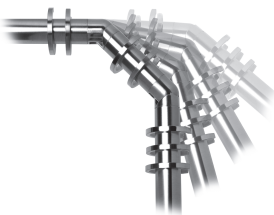
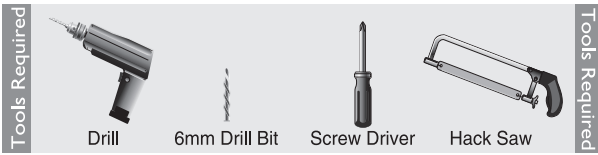


28mm 3 Sided Bay Pole Fitting Instructions

- Please read carefully before commencing

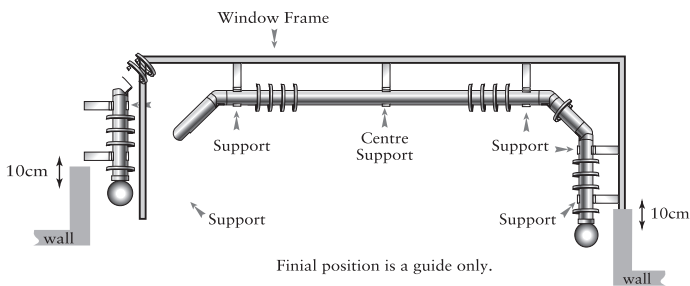
We strongly recommend that 2 people undertake the fixing of this pole

If fitting with a Return Kit, please open and read both sets of fixing instructions before installation.

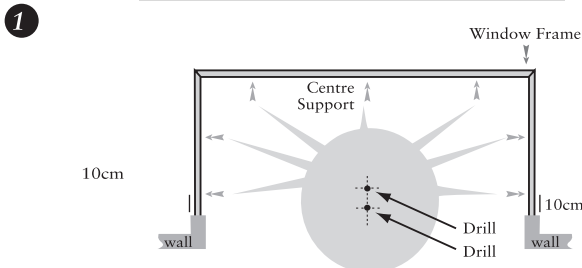


The unique corner joints in this Premier 3-Sided Bay Pole will fit into any 3-sided bay. We are using a 90° bay as an example only.

How The Completed Pole Should Look

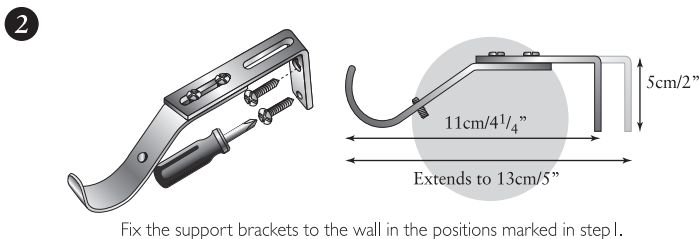


Support Positions

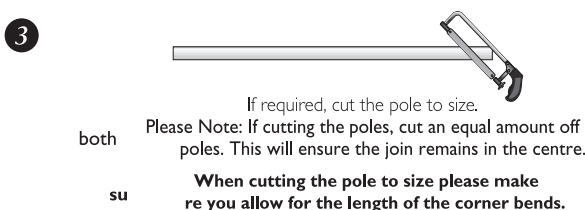


Mark and drill the positions using a 6mm drill bit, for the 7 supports as shown by arrows in the illustration that best matches your window size. Ensure the Centre Support is positioned in the middle of the window, and that the rest of the supports do not interfere with the corner joints. Insert the wall plugs supplied

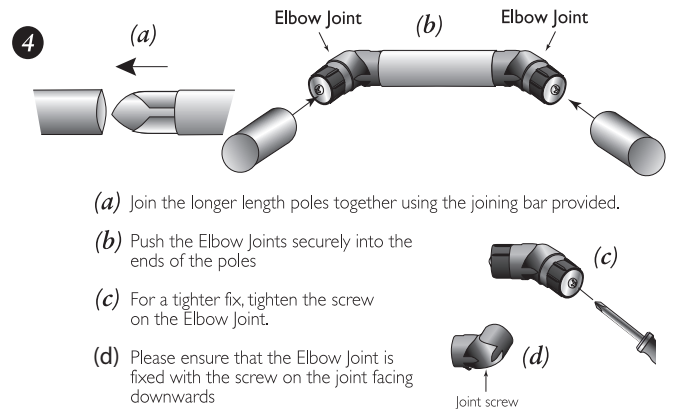
Note: For extra strength, we recommend fixing the supports to a wooden batten



Adjusting Pole Length



Assemble Pole Before Hanging



(a) Join the longer length poles together using the joining bar provided.

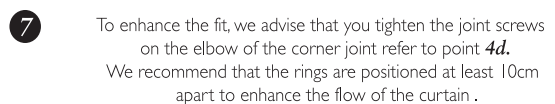
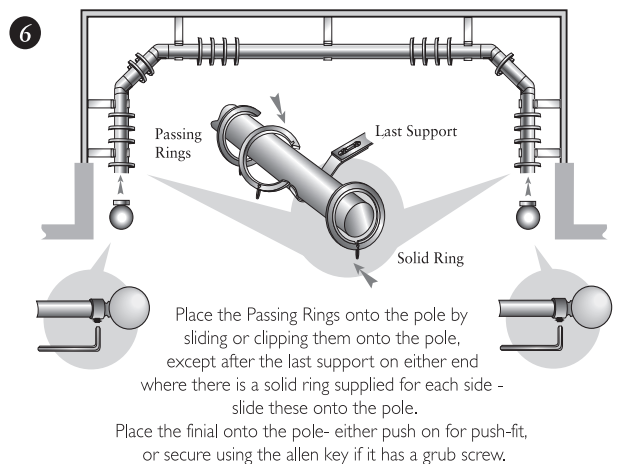
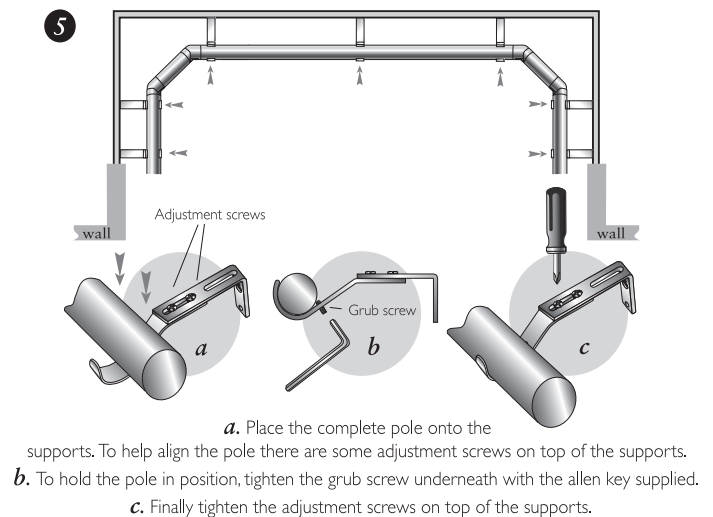
(b) Push the Elbow Joints securely into the ends of the poles

(c) For a tighter fix, tighten the screw on the Elbow Joint.

(d) Please ensure that the Elbow Joint is fixed with the screw on the joint facing downwards



Hanging The Pole



Component parts may vary in style.