

Bay Pole Solutions



Premier Bay Pole

This is the best solution we have found for bay window curtain poles.

The brackets and rings have been carefully crafted so that the brackets can be placed anywhere along the curtain poles. The rings then have a split in them, which allow them to pass over the brackets.

What this means is that brackets can be placed anywhere along the length of the bay pole, meaning that this type of bay pole will take all curtain weights up to heavy weight curtains.

The added benefit is that when a bay return kit is added to one of our three or five sided Premier Bay Window Curtain Poles, that the curtains can be drawn out of the bay and all the way round to the face edge of the window, thereby letting in as much light as possible.

This bay pole also counteracts one of the other problems associated with 90 degree bay windows. Quite often when fitting a bay window pole to a square bay window, even the rings with plastic inserts and the smoothest joints can cause problems on the corner, meaning the curtains will not glide smoothly.

The Premier Bay Window Curtain Pole gets over this by adding another knuckle joint and creating a small 45 degree angle section in the corner of the window.

This means that the rings slide easily over the corners.

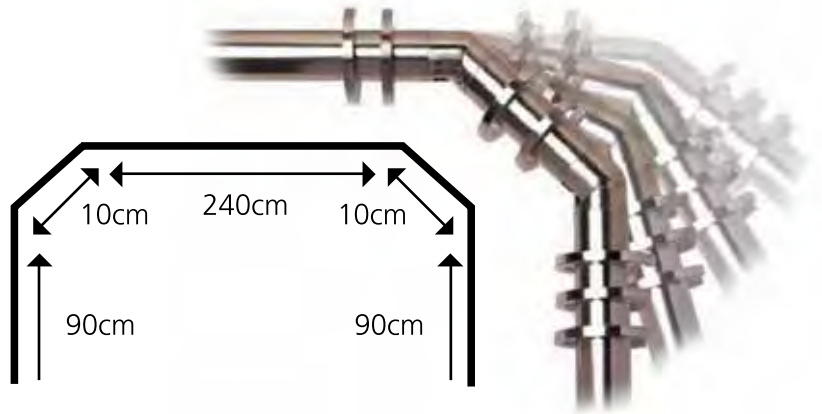
The only drawback with this type of bay window curtain pole, is that they are not suitable for eyelet or tab top headings. Other than this they are by far the best solution available.



Bay Pole Solutions

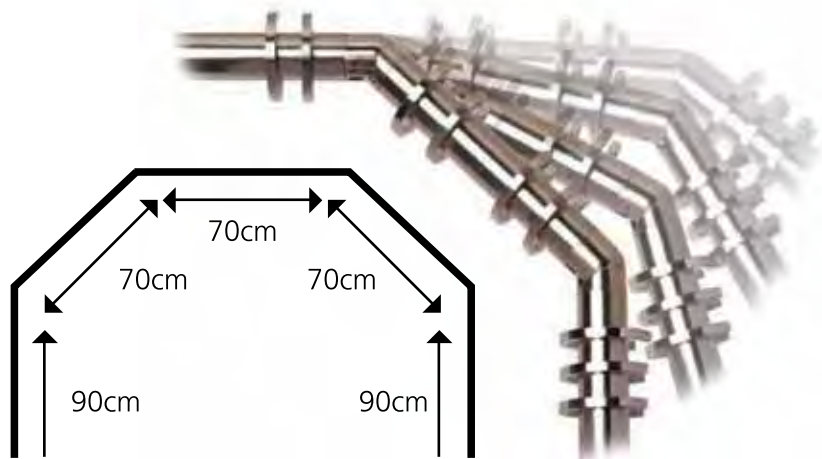
3 Sided Bay Pole

Dimensions for 3-sided bay pole.
Please note windows larger than this size will not be suitable for using a 3-sided bay pole.
All bay poles can be cut down to size.



5 Sided Bay Pole

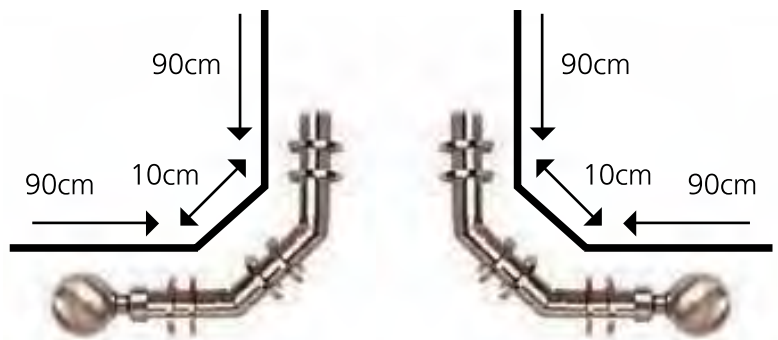
Dimensions of the 5-sided bay pole.
Please note that windows larger than the dimensions stated will not be suitable for use with this bay pole.
All bay poles can be cut down to size.



Return Kits

The dimensions of the bay pole return kit are set out below.
This kit is suitable for both 3 and 5 sided bay poles, and also has the passing rings as per the main bay poles so the curtains can draw to the front of the bay window, allowing the windows to be left clear to allow as much light in as possible.

Please note these are the maximum sizes available.
All return kits can be cut to size.



28mm 3-sided Bay Pole

- * All sizes approx.
- * Please note Premier poles are semi-complete and do not come with finials attached.
- * Top Fix Support requires smaller finial or spacer.



Available finishes

premier

SS

AB

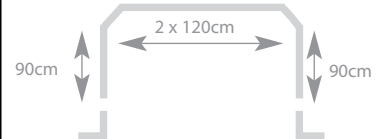
C

PG



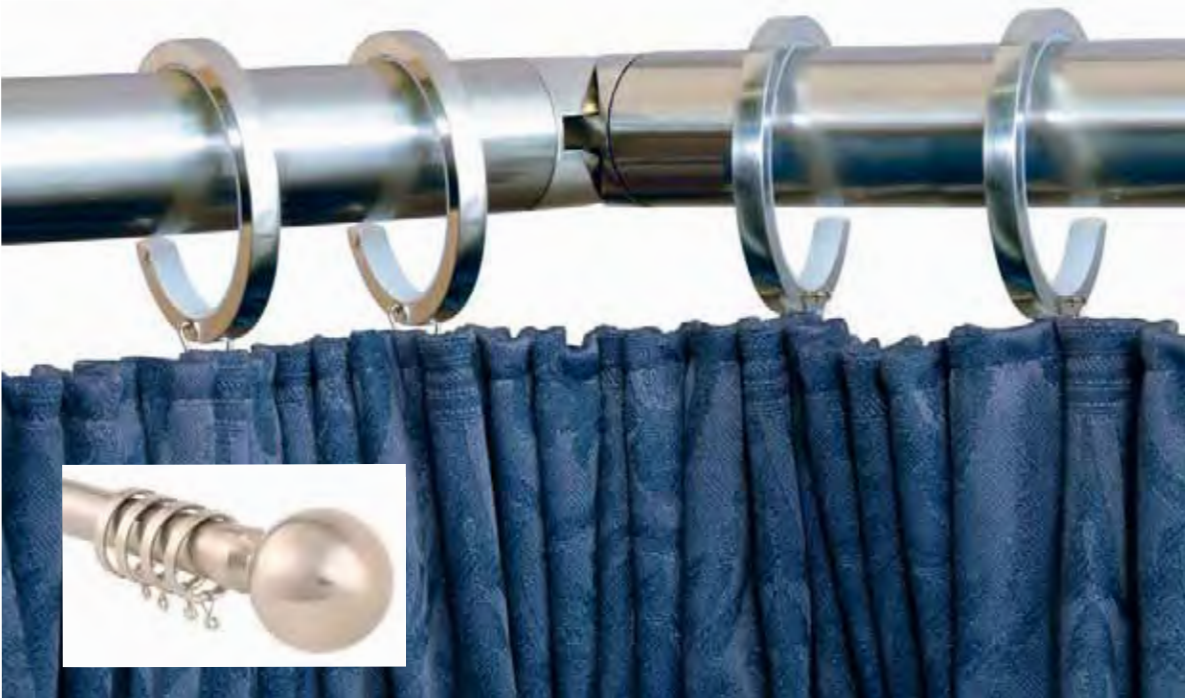
3-Sided Bay

Passing rings will pass over the support and corner joints.



The ultimate bay window solution with passing brackets and rings, allowing full curtain flow around the bay.

28mm 5-sided Bay Pole



Available finishes

SS

AB

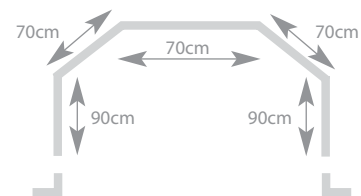
C

PG



5-Sided Bay

Passing rings will pass over the support and corner joints.

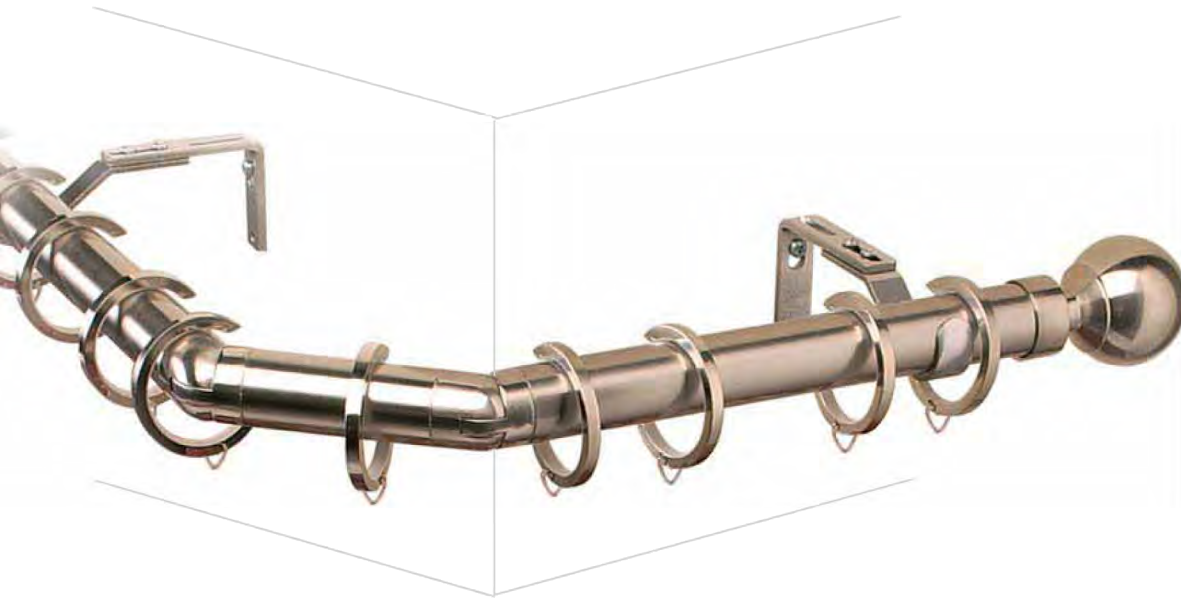


28mm diameter

3-sided

Bay Pole Return Kit

* Please note the Return Kits are semi-complete and do not come with finials attached.



Available finishes

poles apart



* Finial shown for visual purposes only.

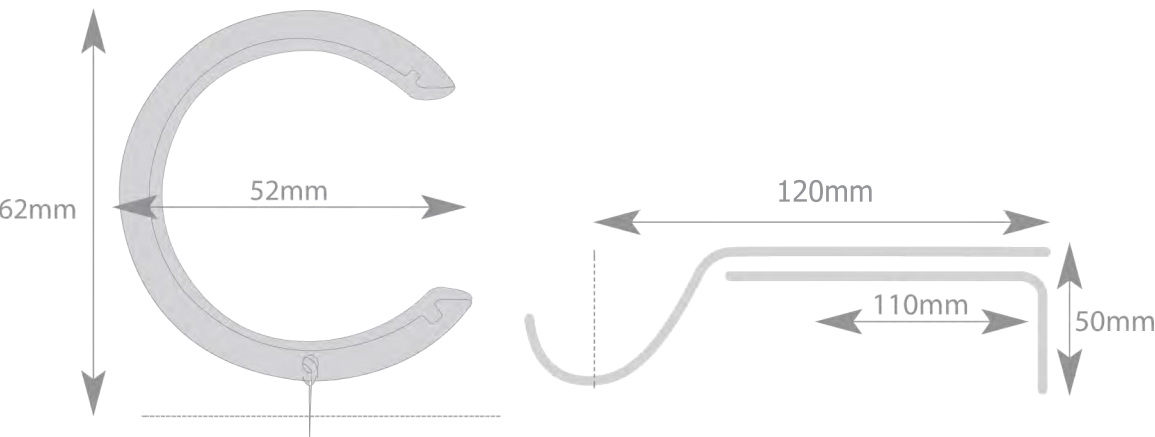
Bay Pole Rings and Supports

Measurements for the bay poles passing rings and supports.

STYLE	STANDARD RINGS	PASSING RINGS	DOUBLE KNUCKLE JOINTS	SUPPORTS
3 - SIDED	2	42	2	7
5 - SIDED	2	38	4	7
RETURN KIT		20	2	2



Passing Ring
Nylon insert delivers a smooth glide action.



Extends to 12cm/5" approx
Adjustable Passing Support