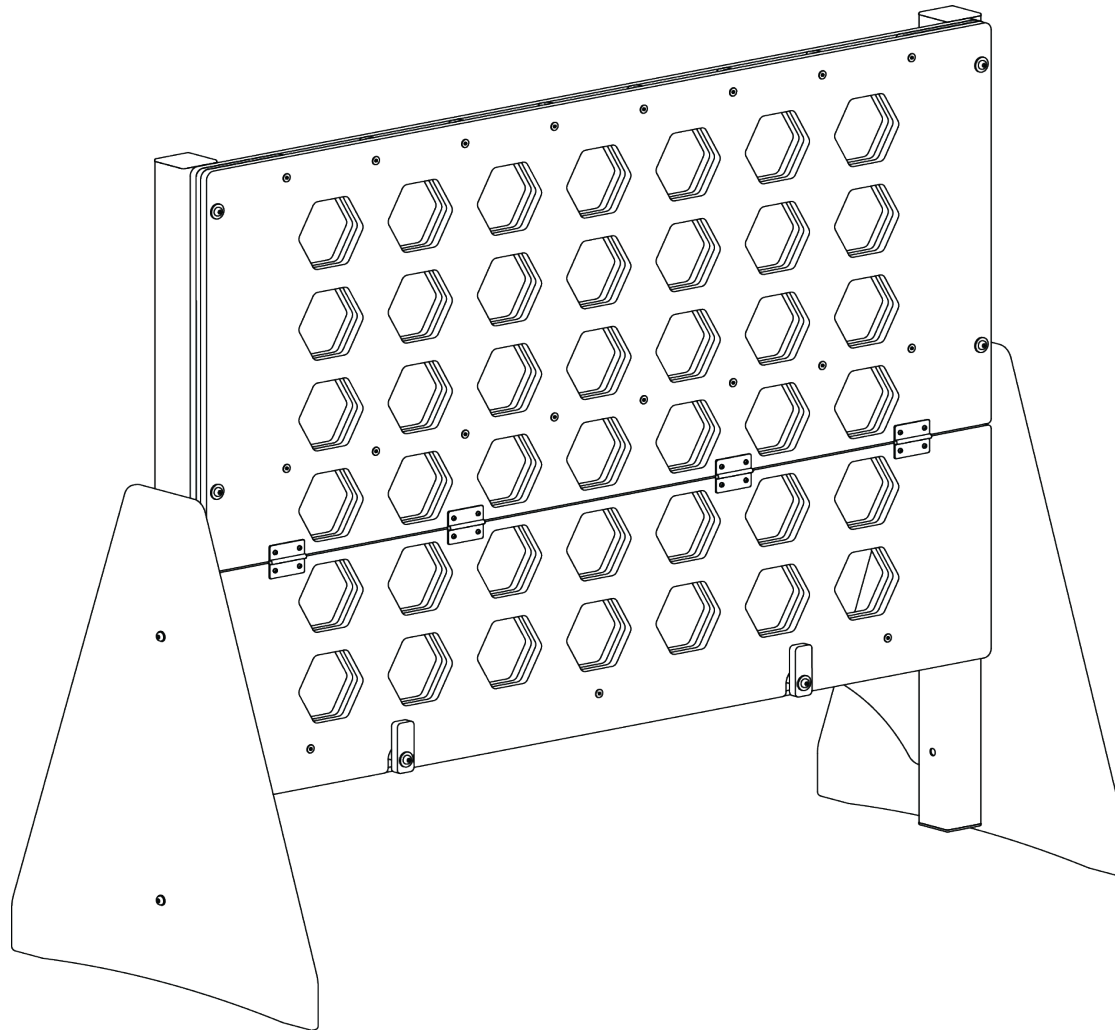




QUAD ROW INSTRUCTION SHEET



Tools required:

Tool Drawing	Tool Description
	4mm Allen Key

WARNING
DO NOT USE POWER TOOLS TO ASSEMBLE THIS PRODUCT. USE OF POWER TOOLS WILL CAUSE CROSS THREADING OF THE BOLTS AND VOID ANY WARRANTY. ENSURE THAT HOLES ARE CORRECTLY ALIGNED BEFORE ATTEMPTING TO INSERT ANY BOLT

QUAD ROW INSTRUCTION SHEET

Step 1:

First ensure that you have assembled the Game Board Stand.

On a flat and level work area, begin by placing the Game Board Stand laying down as shown in **figure 1** with the Quad Row Board on top.

Slide a Washer over the end of each of 4 M6x40 Bolts.

By hand, thread the Bolt and Washer assembly through the plastic and into the Game Board Stand

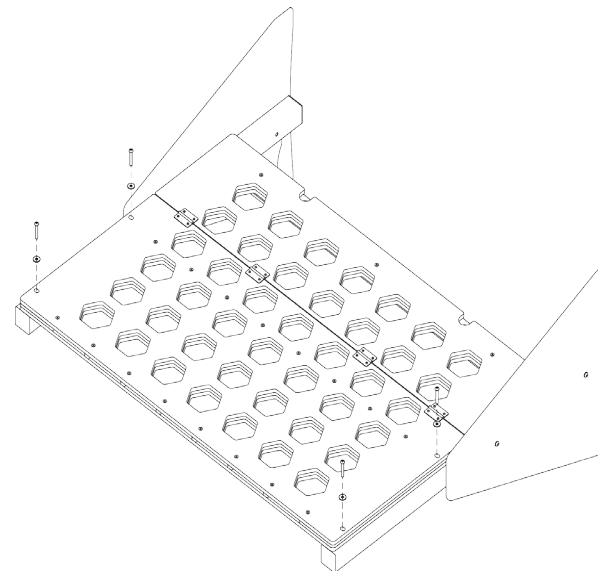


Figure 1

Step 2:

Flip up the Lower Front to expose the holes across the bottom.

Slide a Washer over each of 2 M6x30 Bolts. Thread each bolt into the outer holes.

Slide a Washer over 1 M6x20 Bolt. Thread the bolt into the middle hole.

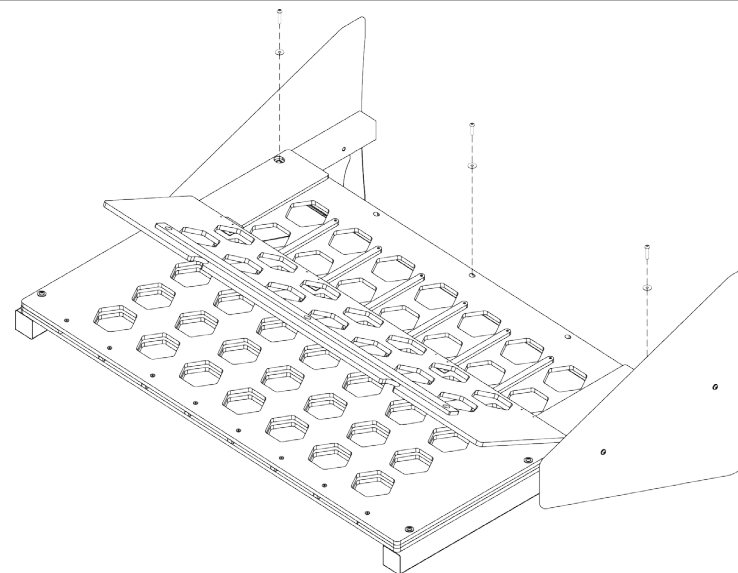


Figure 2

QUAD ROW INSTRUCTION SHEET

Step 3:

Slide a Washer over the end of an M6x60 Bolt, then the Latch, another Washer and finally the Spacer.

By hand, thread this assembly through into the Game Board Stand as per figure 2.

Repeat for the other Latch.

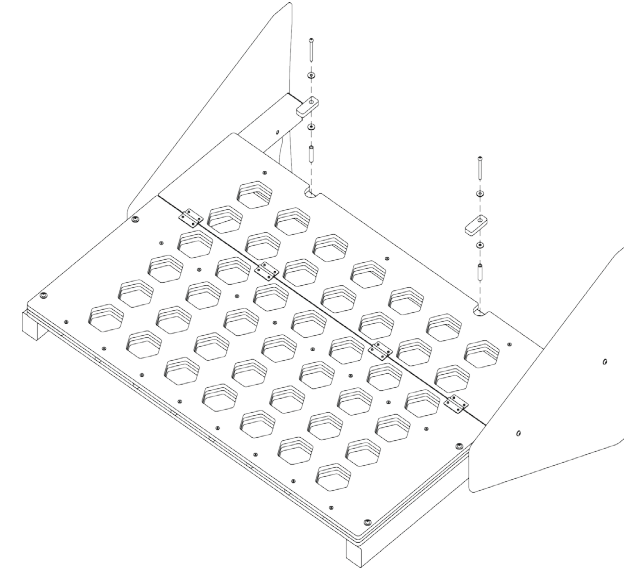


Figure 3

Step 4:

Stand the whole assembly up on its feet so that it is sitting level and square and tighten all Bolts using an Allen Key.

Tighten the Bolts on the Latches enough so that they hold an upright position and yet are loose enough to be able to turn by hand.

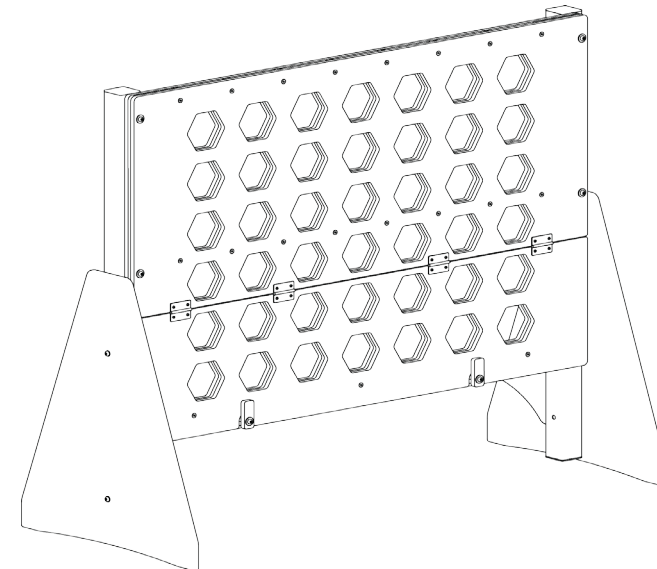
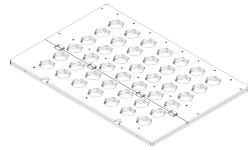
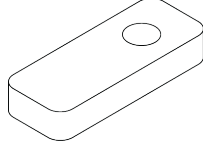
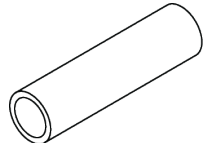
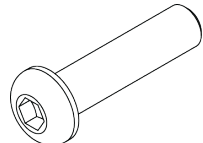
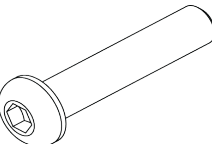
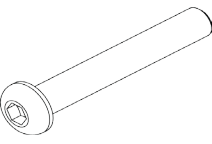


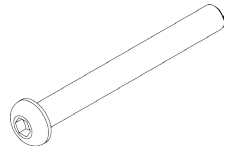
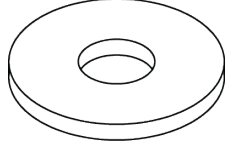
Figure 4

QUAD ROW - PARTS KIT

Included in this kit:

Part Drawing	Part Description	Qty Included
	Quad Row Board	1
	Latch	2
	Spacer	2
	M6 x 25 Bolt	1
	M6 x 30 Bolt	2
	M6 x 40 Bolt	4

Included in this kit:

Part Drawing	Part Description	Qty Included
	M6 x 60 Bolt	2
	M6 Mudguard Washer	11