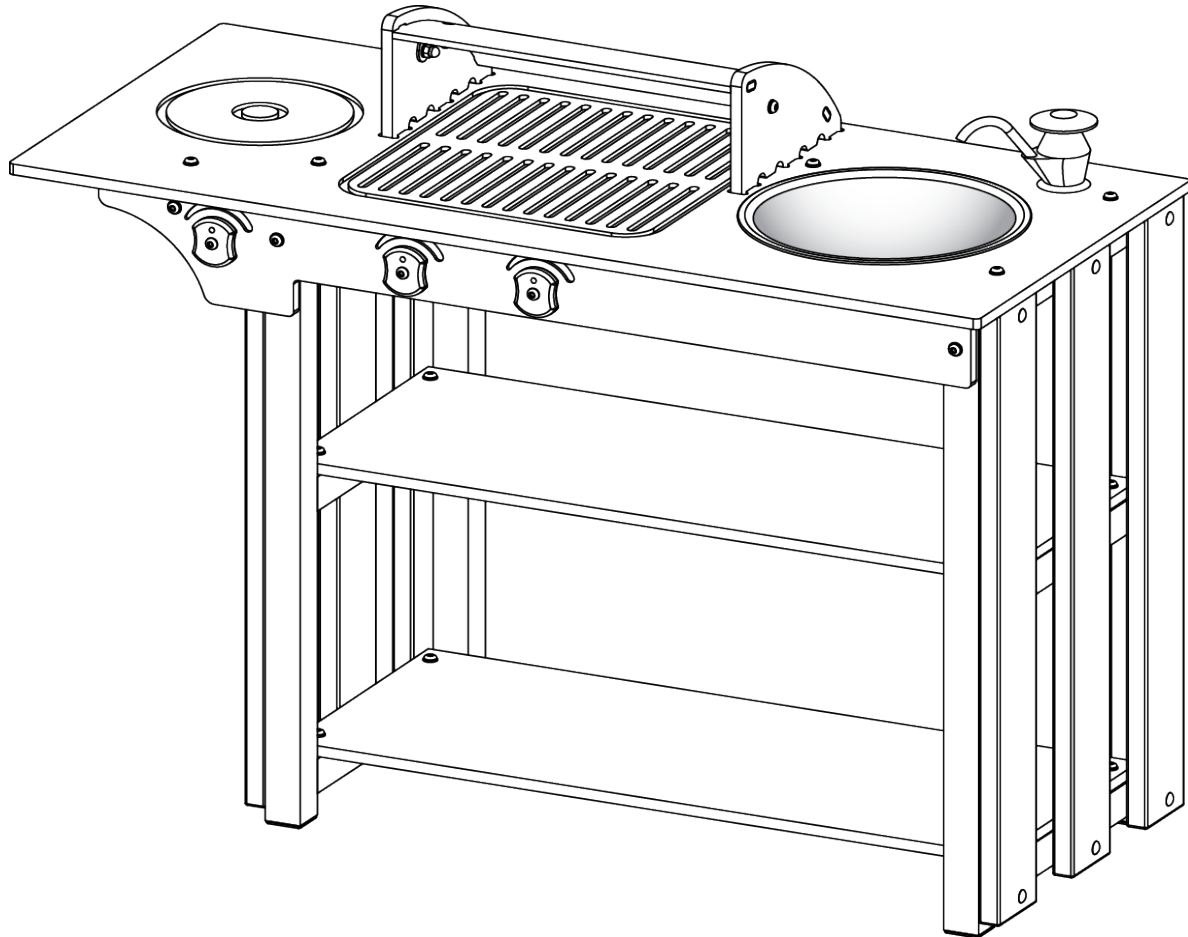
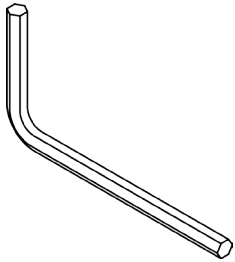
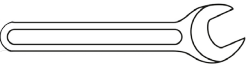


### DELUXE BBQ INSTRUCTION SHEET



**WARNING**  
**DO NOT USE POWER TOOLS TO ASSEMBLE THIS PRODUCT. USE OF POWER TOOLS WILL CAUSE CROSS THREADING OF THE BOLTS AND VOID ANY WARRANTY. ENSURE THAT HOLES ARE CORRECTLY ALIGNED BEFORE ATTEMPTING TO INSERT ANY BOLT**

Tools required:

Tool Drawing	Tool Description
	4mm Allen Key
	10mm Spanner

## DELUXE BBQ INSTRUCTION SHEET

### Step 1.

Beginning on a work bench or flat work area, position the **Left Side Frame** upright and a **Shelf** on the bottom crossmember of the **Side**, aligning the holes.

Slide a **Washer** over an **M6x25 Bolt** and thread the bolt into one of the two holes. Repeat for the other hole.

**Note: Until the end of the entire assembly, tighten all bolts BY HAND ONLY. This will ensure all bolts are easily inserted throughout the assembly.**

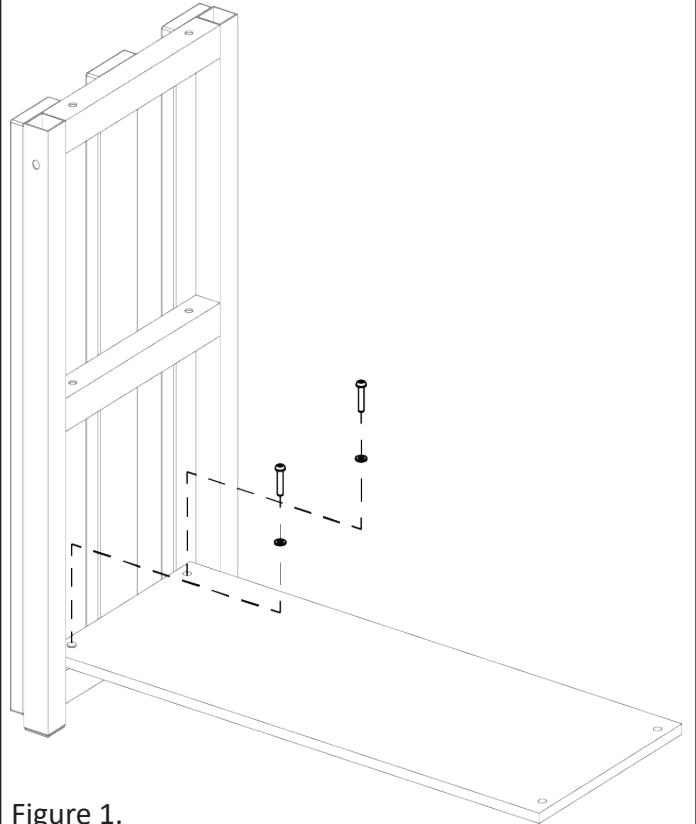


Figure 1.

### Step 2.

Position the **Right Side Frame** upright and into position as per **figure 2**.

Slide a **Washer** over an **M6x25 Bolt** and thread the bolt into one of the two holes. Repeat for the other hole.

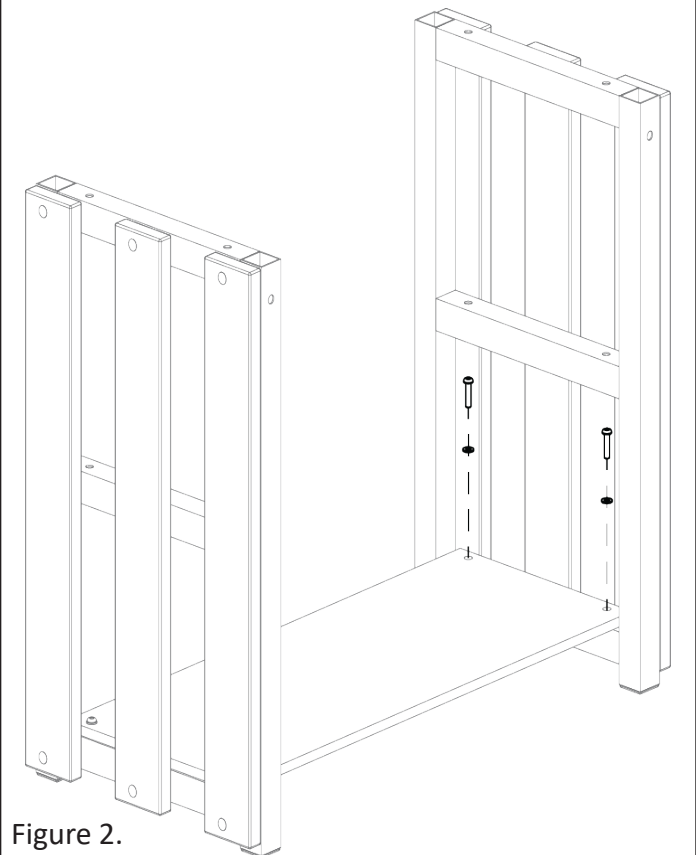


Figure 2.

### DELUXE BBQ INSTRUCTION SHEET

#### Step 3.

Place the second **Shelf** and the **Top Shelf** as per **figure 3**.

Note the orientation of the holes on each of the **Side Frames** as well as the hole for the **Bowl** on the **Top Shelf**.

Slide a **Washer** over an **M6x25 Bolt** and thread the bolt into one of the four holes. Repeat for the other three holes.

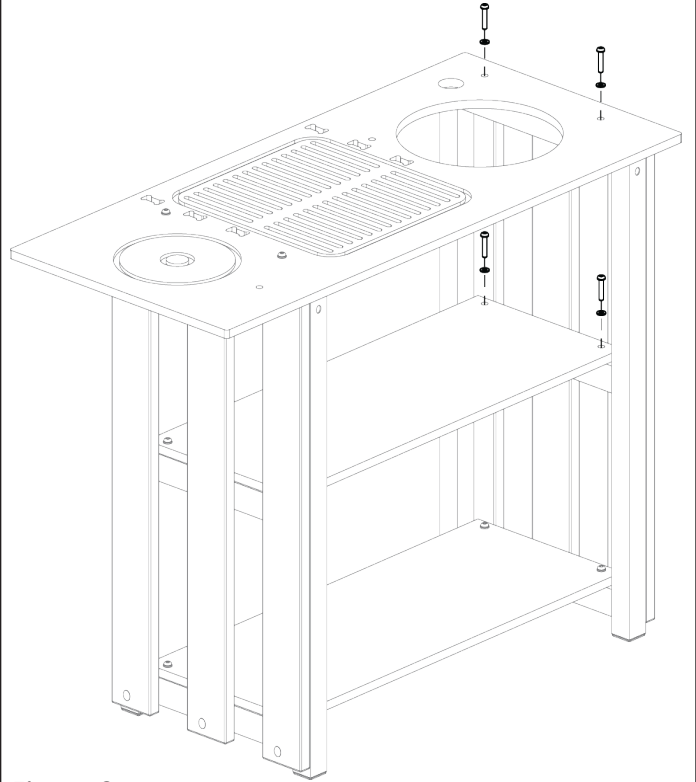


Figure 3.

#### Step 4.

Slide a **Washer** over an **M6x25 Bolt** and thread the bolt into one of the four holes as per figure 4. Repeat for the other three holes.

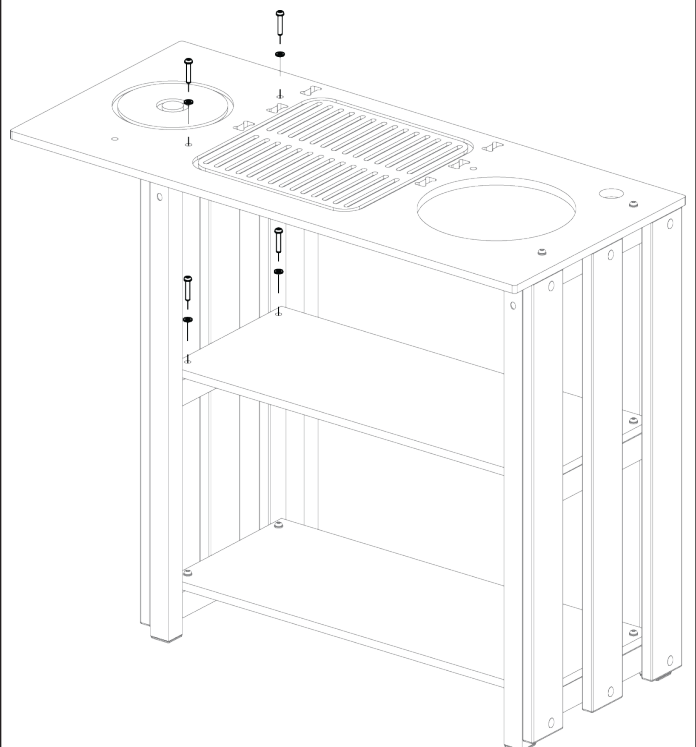


Figure 4.

### DELUXE BBQ INSTRUCTION SHEET

#### Step 5.

Place a **Hood Side** flat on your work bench. Push the **Hood Body** into the slots of the **Hood Side**. Note the orientation of the male slots of the **Hood Body** as per **figure 5**.

You may need to slightly bend the **Hood Body** to insert it into both slots properly.

Position the other **Hood Side** on top of this assembly and push down to insert the slots.

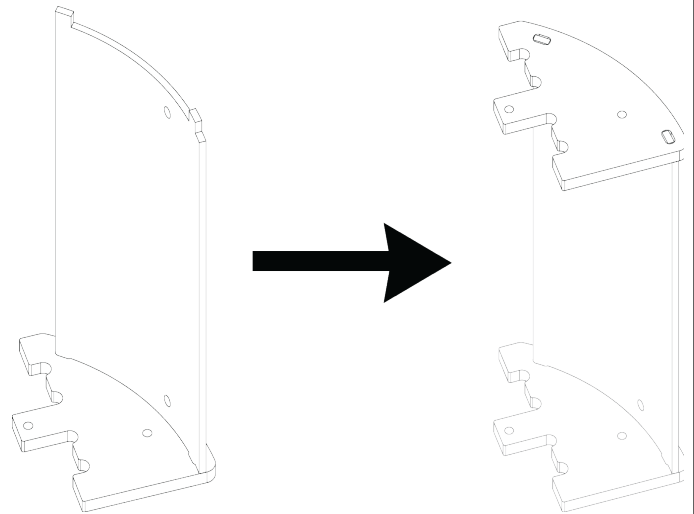


Figure 5.

#### Step 6.

Position an **Angle Bracket** as per **figure 6**.

a. Slide a **Washer** over an **M6x16 Bolt**. Push it through the **Hood Body** and **Angle Bracket**. Over the end of the **Bolt**, slide a **Spring Washer** then **Nut**.

b. Slide a **Washer** over an **M6x20 Bolt**. Push it through the **Hood Side** and **Angle Bracket**. Over the end of the **Bolt**, slide a **Spring Washer** then **Nut**.

Push the **Angle Bracket** into the corner as you tighten the **Nuts** and **Bolts** by hand only.

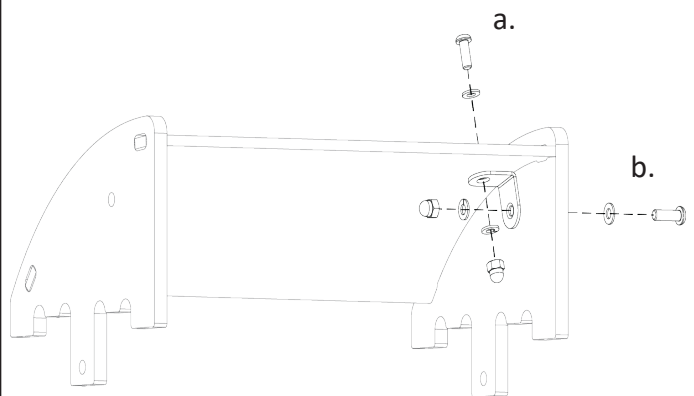


Figure 6.

#### Step 7.

Repeat Step 6 for the opposite side.

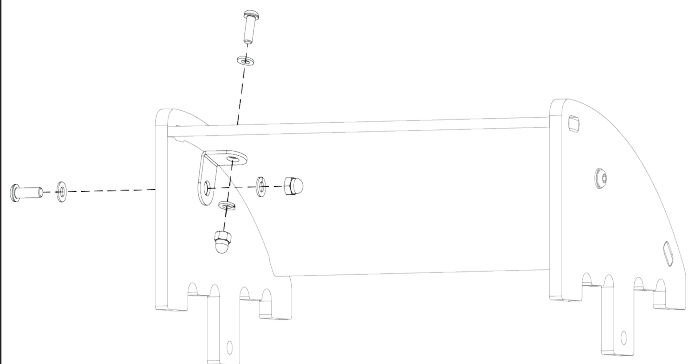


Figure 7.

## DELUXE BBQ INSTRUCTION SHEET

### Step 8.

Position the **Hood** assembly on **Shelf** and **Frame** assembly and push it town into the slots.

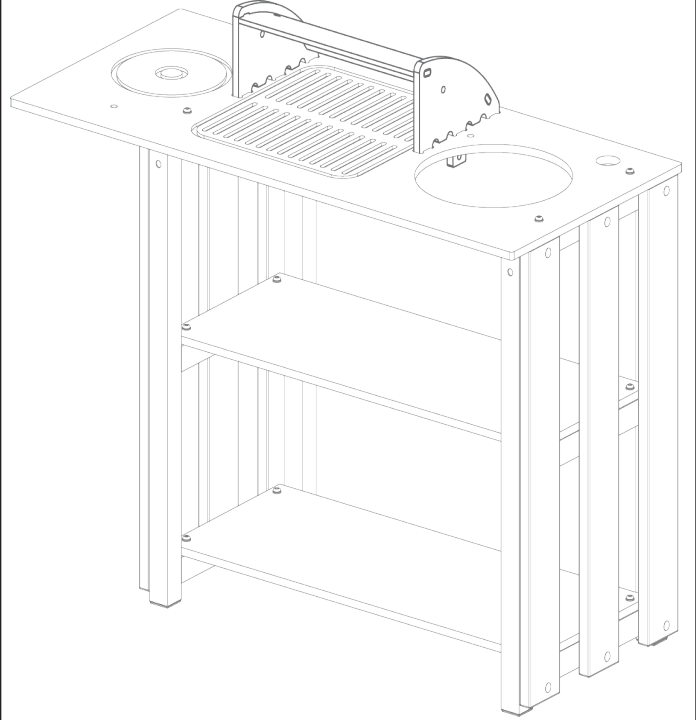


Figure 8.

### Step 9.

a. Slide a **Washer** over an **M6x25 Bolt** and push it through the **Hood Side** and thread it into the **Frame Side**.

b. Slide a **Washer** over an **M6x20 Bolt**, through the other **Hood Side**, through an **Angle Bracket**. Over the end of the **Bolt**, slide a **Spring Washer** and then thread on a **Nut**.

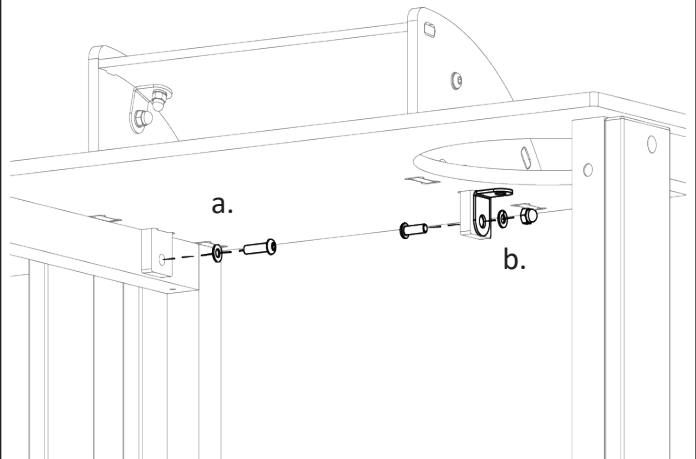


Figure 9.

## DELUXE BBQ INSTRUCTION SHEET

### Step 10.

From the top, Slide a **Washer** over an **M6x20 Bolt**, through the **Top Shelf** and through the **Angle Bracket** on the other side. Over the end of the **Bolt**, slide a **Spring Washer** and then thread on a **Nut**.

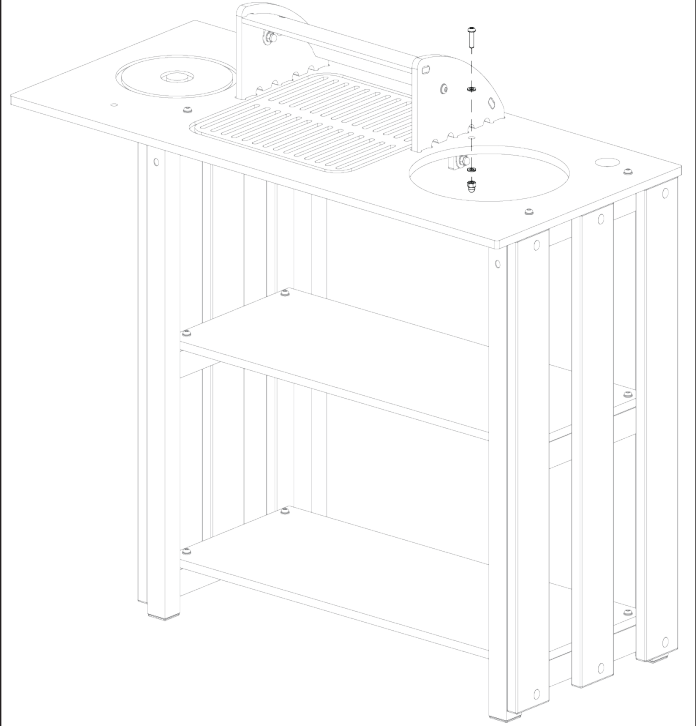


Figure 10.

### Step 11.

Position the **Front Panel** as per **figure 11**. such that the holes align with the holes of the two **Sides**.

Slide a **Washer** over an **M6x25 Bolt** and thread it through one of the holes of the **Front Panel** and into the **Side**. Repeat for the other hole.

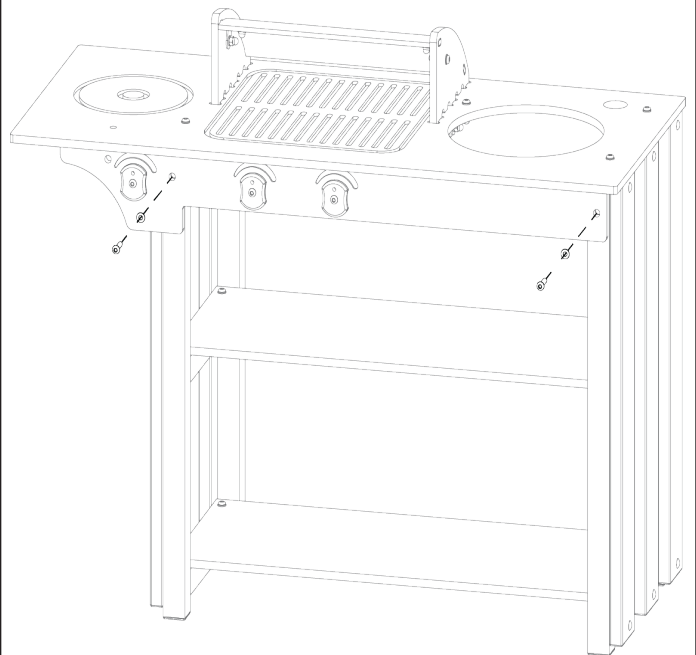


Figure 11.

## DELUXE BBQ INSTRUCTION SHEET

### Step 12.

On the back of the **Front Panel**, hold in place an **Angle Bracket**.

a. Slide a **Washer** over an **M6x20 Bolt**. Push it through the **Top Shelf** and **Angle Bracket**. Over the end of the **Bolt**, slide a **Spring Washer** then **Nut**.

b. Slide a **Washer** over an **M6x20 Bolt**. Push it through the **Front Panel** and **Angle Bracket**. Over the end of the **Bolt**, slide a **Spring Washer** then **Nut**.

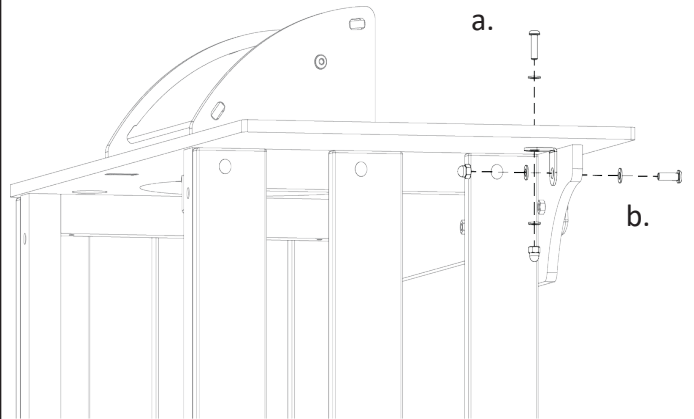


Figure 12.

### Step 13.

Drop the **Tap** into the hole of the **Top Shelf** and, from underneath, screw on the large **Tap Nut**. No tools are necessary to tighten this component fully.

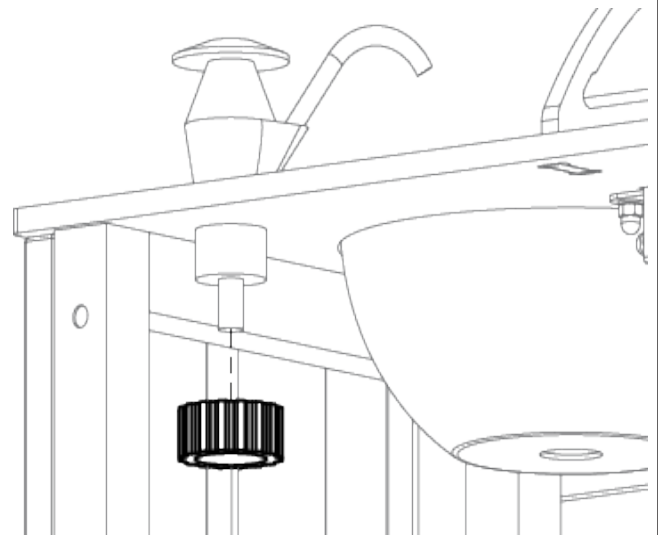


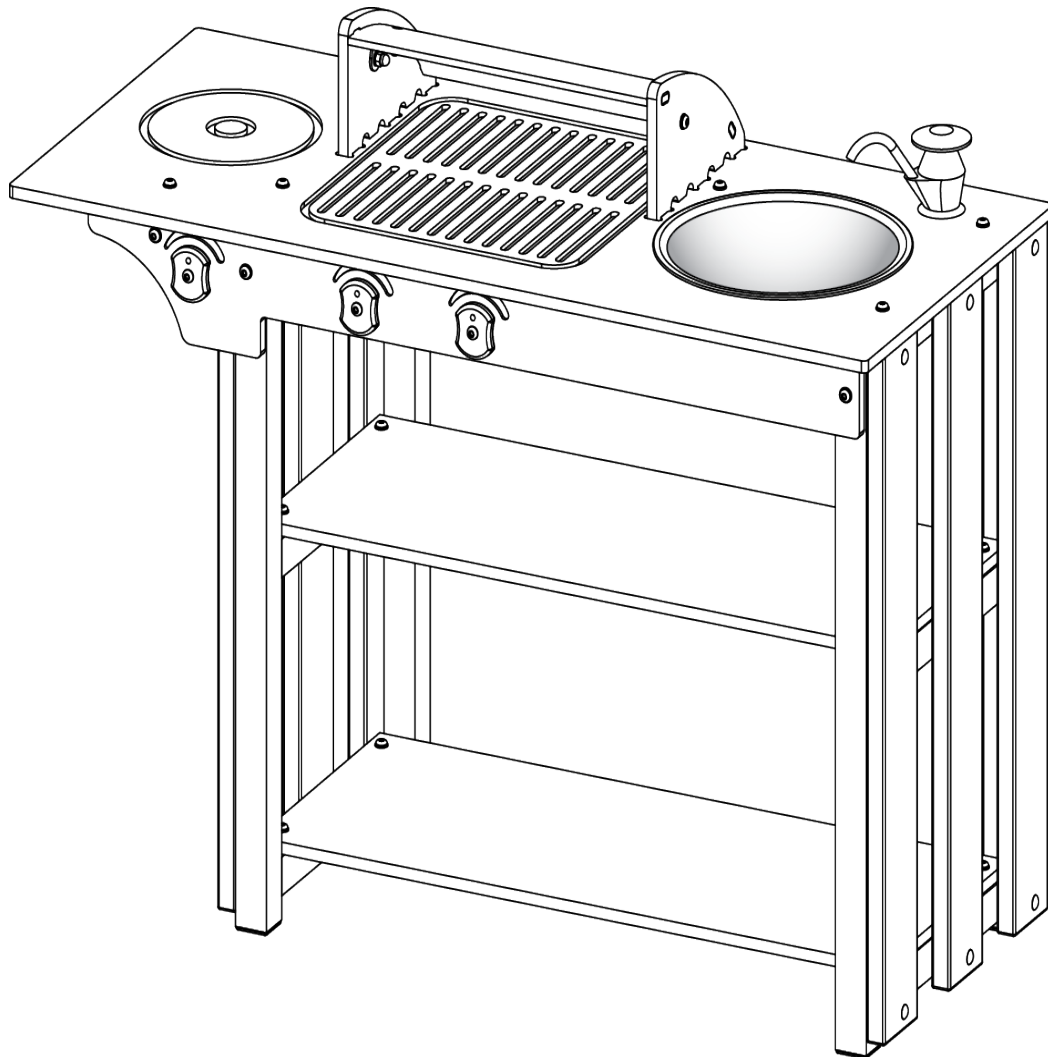
Figure 13.

## DELUXE BBQ INSTRUCTION SHEET

### Step 11.

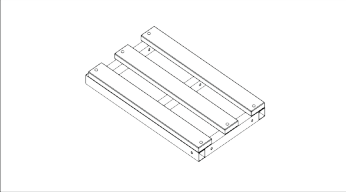
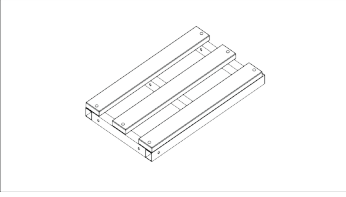
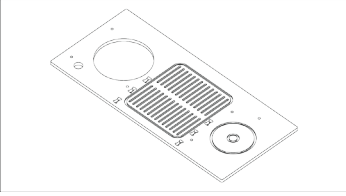
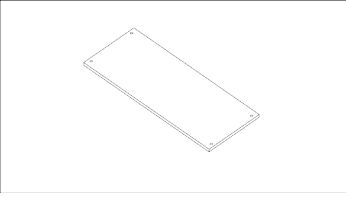
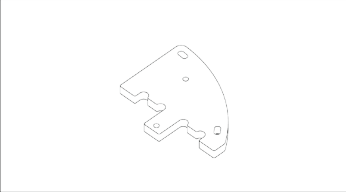

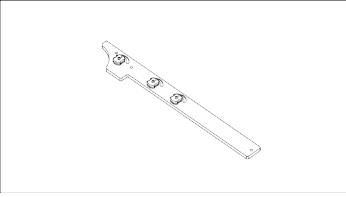
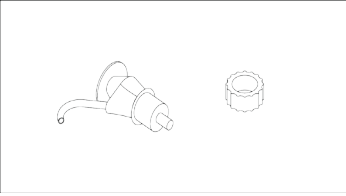
Now that all components are attached, ensure the unit is sitting upright on a flat work area so that the unit is flat and square. You may now systematically fasten all **Nuts** and **Bolts** using either an **Allen Key**, or an **Allen Key** and **Spanner** as required.

**Do not overtighten using hand tools as this can strip the thread of Stainless Steel hardware.**


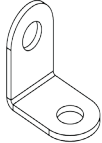
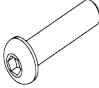
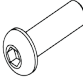
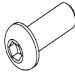






**DELUXE BBQ INSTRUCTION SHEET**

Left Side Frame	 A perspective drawing of a rectangular metal frame component with three vertical bars and a top rail.
Right Side Frame	 A perspective drawing of a rectangular metal frame component, similar to the left side frame but with a different internal structure.
Top Shelf	 A perspective drawing of a rectangular metal shelf with a central grate and two circular cutouts.
Shelf	 A perspective drawing of a simple rectangular metal shelf.
Hood Side	 A perspective drawing of a curved metal piece with several mounting holes, likely a side panel for the hood.
Hood Body	 A perspective drawing of a long, curved metal piece with a flange, likely the main body of the hood.
Front Panel	 A perspective drawing of a long, narrow metal panel with three circular cutouts and mounting holes.
Tap	 A perspective drawing of a tap assembly, including the tap handle and a separate cylindrical component.

**DELUXE BBQ INSTRUCTION SHEET**

Stainless Bowl	
Angle Bracket	
M6 x 25 Bolt	
M6 x 20 Bolt	
M6 x 16 Bolt	
M6 Mudguard Washer	
M6 Spring Washer	
Dome Nut	