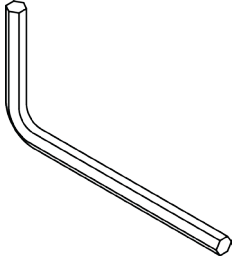
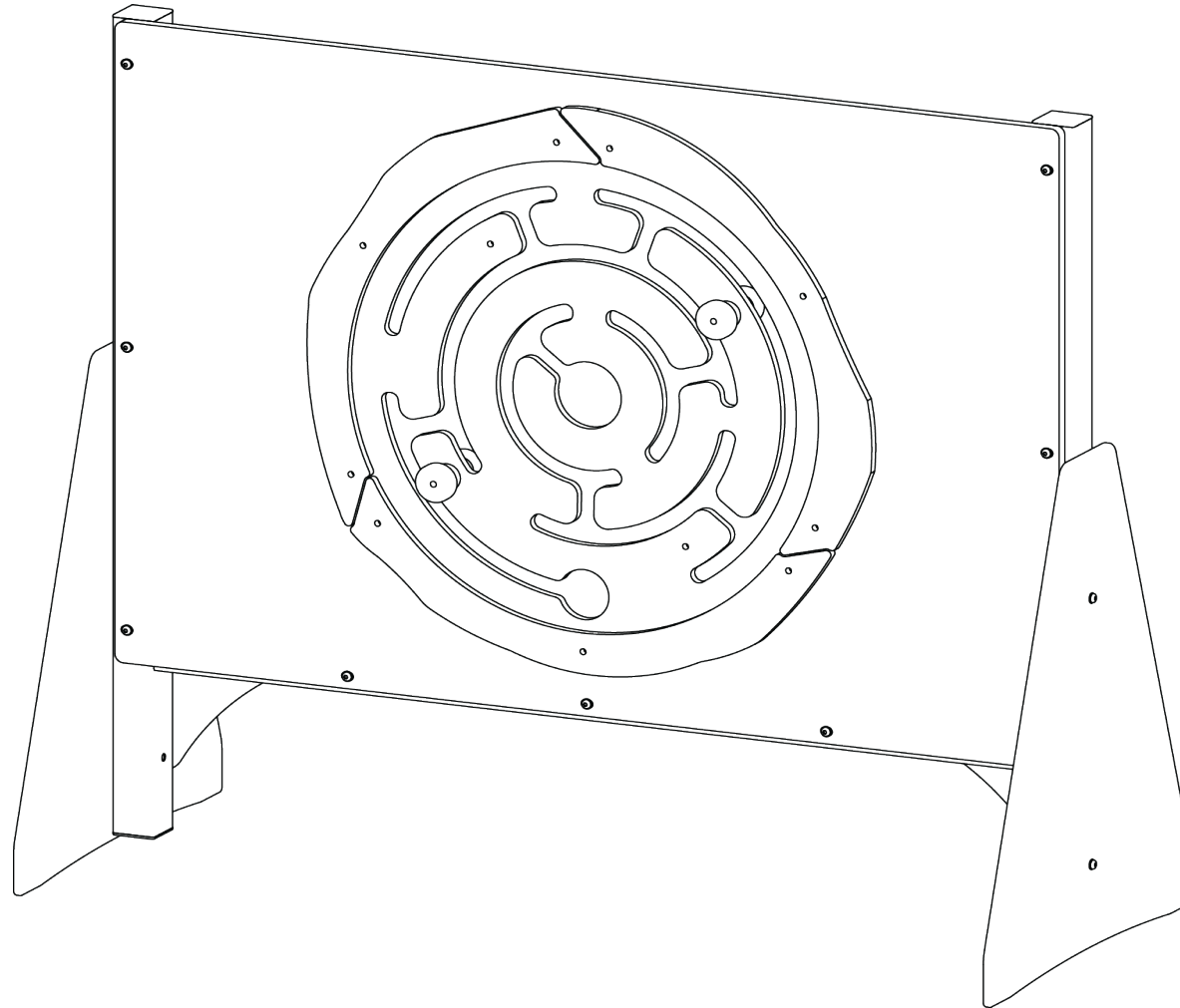


Tools required:

Tool Drawing	Tool Description
	4mm Allen Key



WARNING
DO NOT USE POWER TOOLS TO ASSEMBLE THIS PRODUCT. USE OF POWER TOOLS WILL CAUSE CROSS THREADING OF THE BOLTS AND VOID ANY WARRANTY. ENSURE THAT HOLES ARE CORRECTLY ALIGNED BEFORE ATTEMPTING TO INSERT ANY BOLT

MAZE INSTRUCTION SHEET

Step 1:

First ensure that you have assembled the Game Board Stand.

On a flat and level work area, begin by placing the Game Board Stand laying down as shown in **figure 1** with the Maze Board on top.

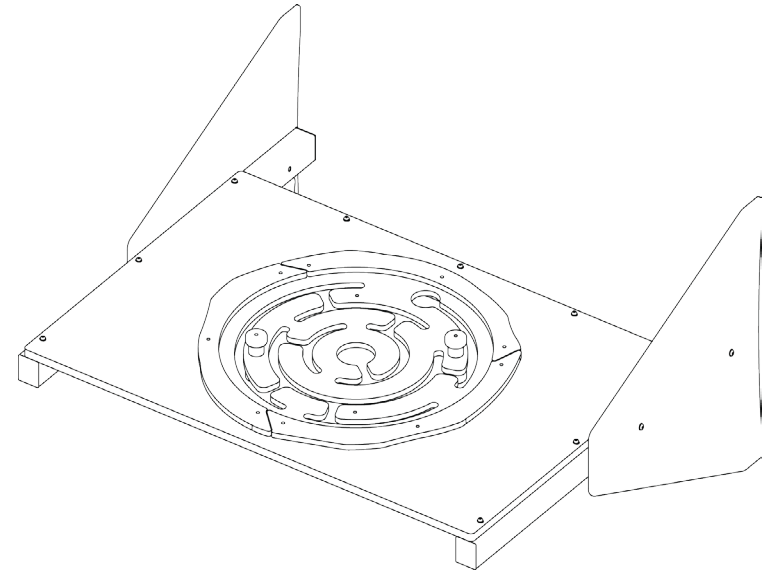


Figure 1

Step 2:

Slide a Washer over the end of each of 9 Bolts.

By hand, thread the Bolt and Washer assembly through the plastic and into the Game Board Stand

Stand the assembly upright on a flat surface and systematically tighten all bolts using an Allen Key.

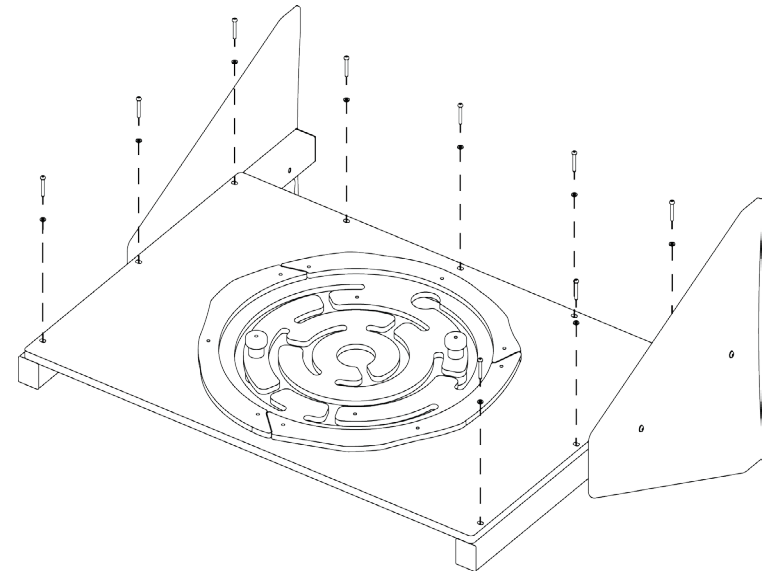
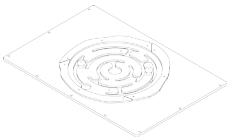
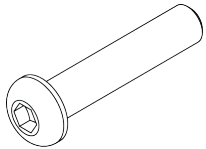
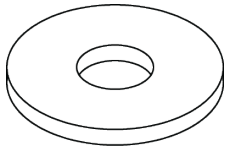


Figure 2



MAZE - PARTS KIT

Included in this kit:

Part Drawing	Part Description	Qty Included
	Maze Board	1
	M6 x 35 Bolt	12
	M6 Mudguard Washer	12