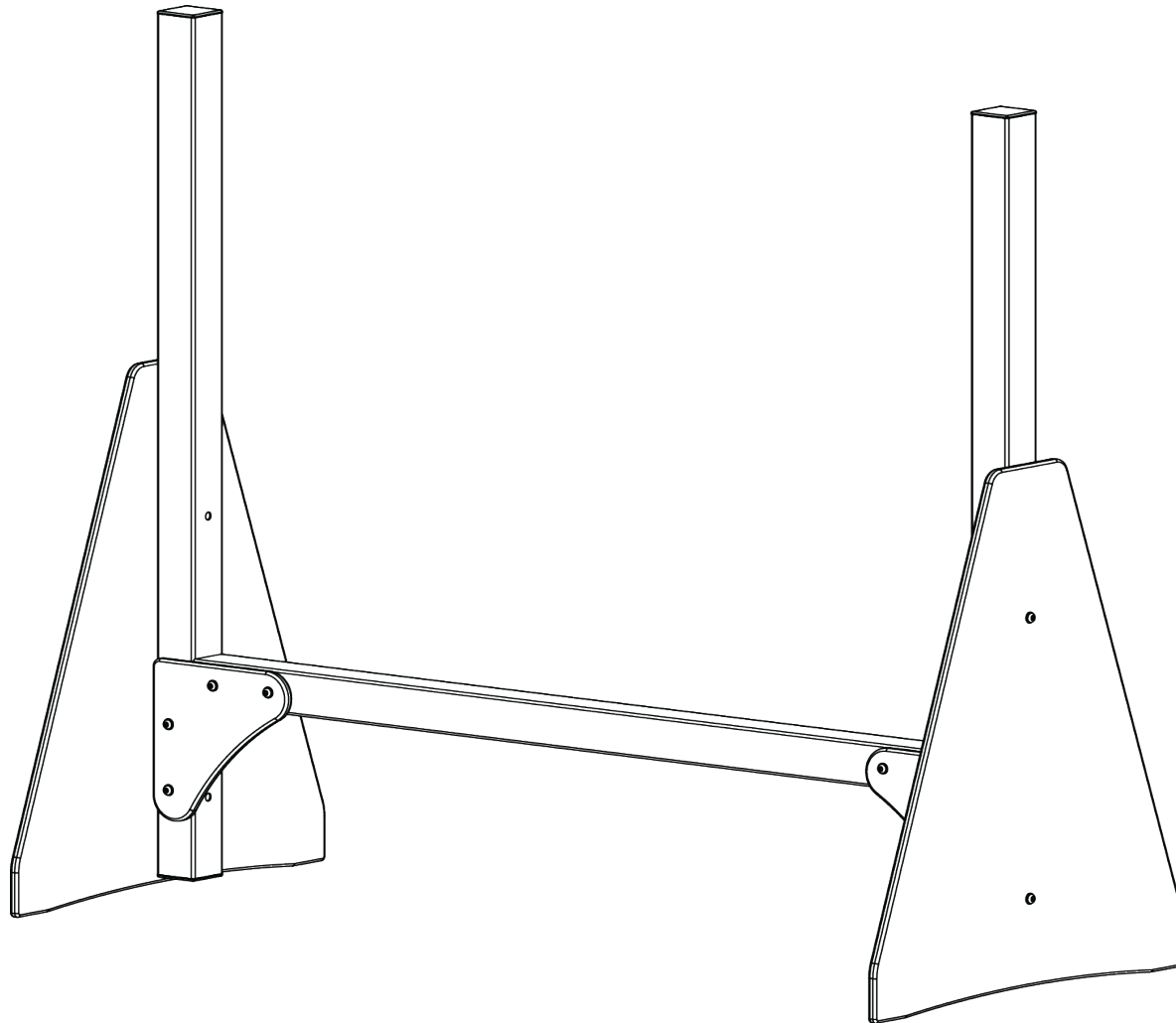
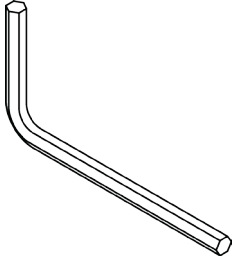


GAME STAND INSTRUCTION SHEET



Tools required:

Tool Drawing	Tool Description
	4mm Allen Key

WARNING
DO NOT USE POWER TOOLS TO ASSEMBLE THIS PRODUCT. USE OF POWER TOOLS WILL CAUSE CROSS THREADING OF THE BOLTS AND VOID ANY WARRANTY. ENSURE THAT HOLES ARE CORRECTLY ALIGNED BEFORE ATTEMPTING TO INSERT ANY BOLT

GAME STAND INSTRUCTION SHEET

Step 1:

On a flat and level work area, begin by placing the two Sides and the Brace as shown in **figure 1**. Note the orientation of holes.

Position the plastic Gusset as per **figure 1** so that the holes align with the holes of the Sides and Brace.

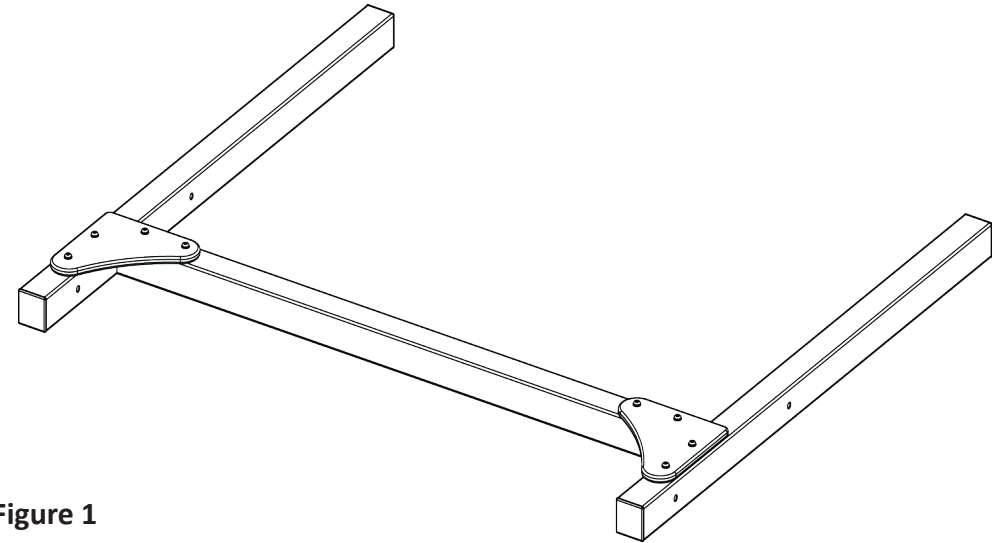


Figure 1

Step 2:

Slide a Washer over the end of each of 8 Bolts.

By hand, thread the Bolt and Washer assembly through the plastic and into the aluminium Sides and Brace.

Tighten only by hand, do not yet use hand tools.

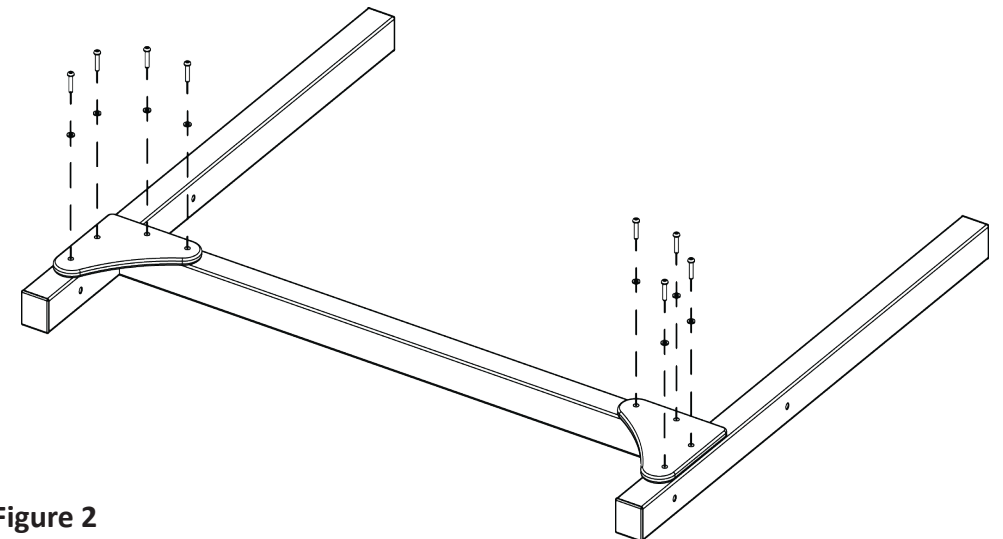


Figure 2

GAME STAND INSTRUCTION SHEET

Step 3:

Slide a Washer over the end of each of 2 Bolts.

Thread a Bolt and Washer assembly through the plastic Foot and into the aluminium Side. This is easiest if you slide the assembly to the edge of a work bench with Side aligned with the edge of the workbench.

Thread the other Bolt and Washer assembly through the remaining hole.

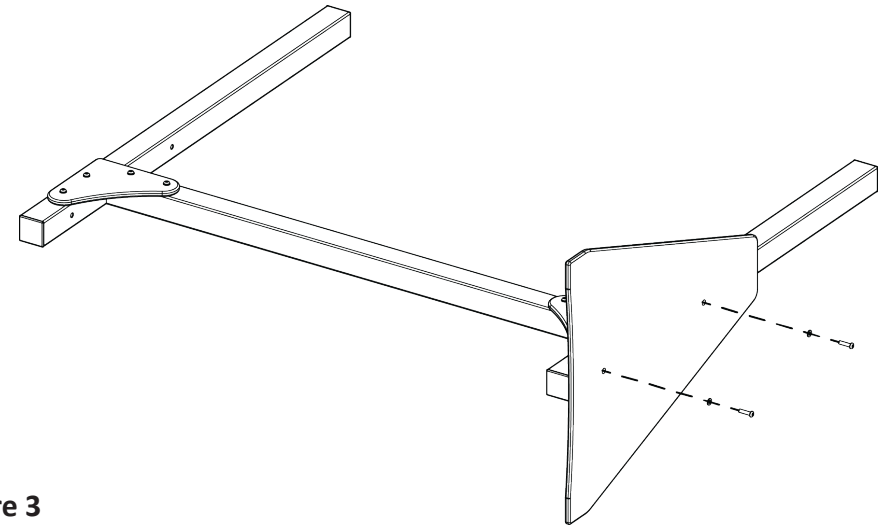


Figure 3

Step 4:

Repeat **Step 3** for the other foot.

Stand the whole assembly up on its feet and follow instructions to attach your preferred Game Board.

Once done, tighten all Bolts using an Allen Key.

Note that it is important to leave all bolts untightened during the assembly in order to allow bolts to easily thread into position and only tighten once the assembly is complete.

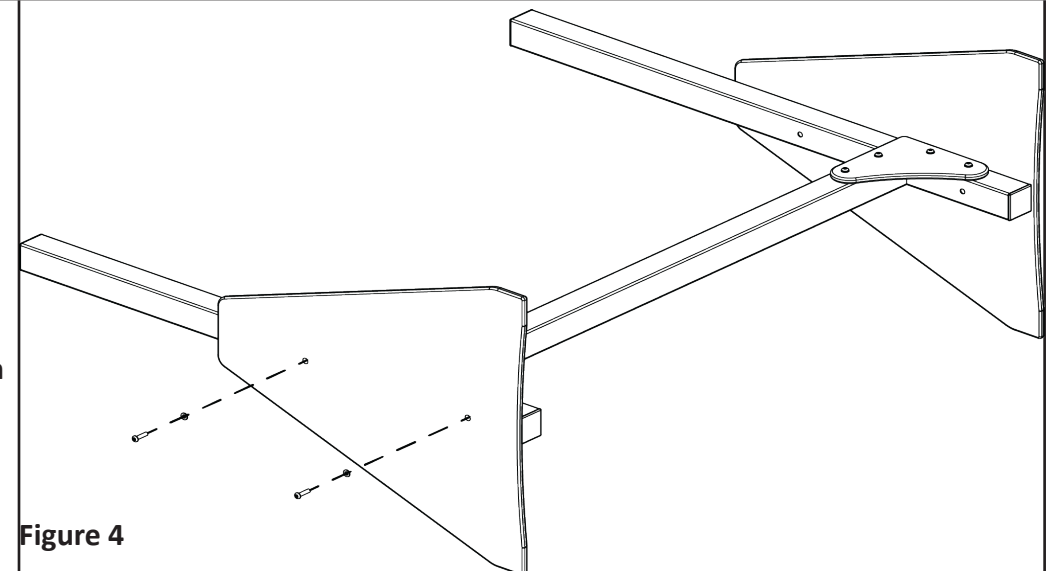
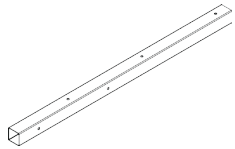
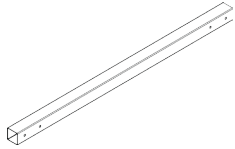
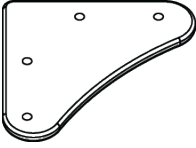
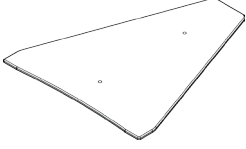
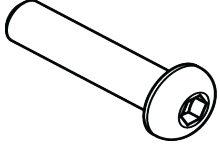
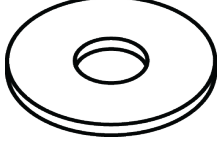


Figure 4

Included in this kit:

Part Drawing	Part Description	Qty Included
	Frame Side	2
	Frame Brace	1
	Gusset	2
	Foot	2
	M6 x 25 Bolt	12
	M6 Mudguard Washer	12