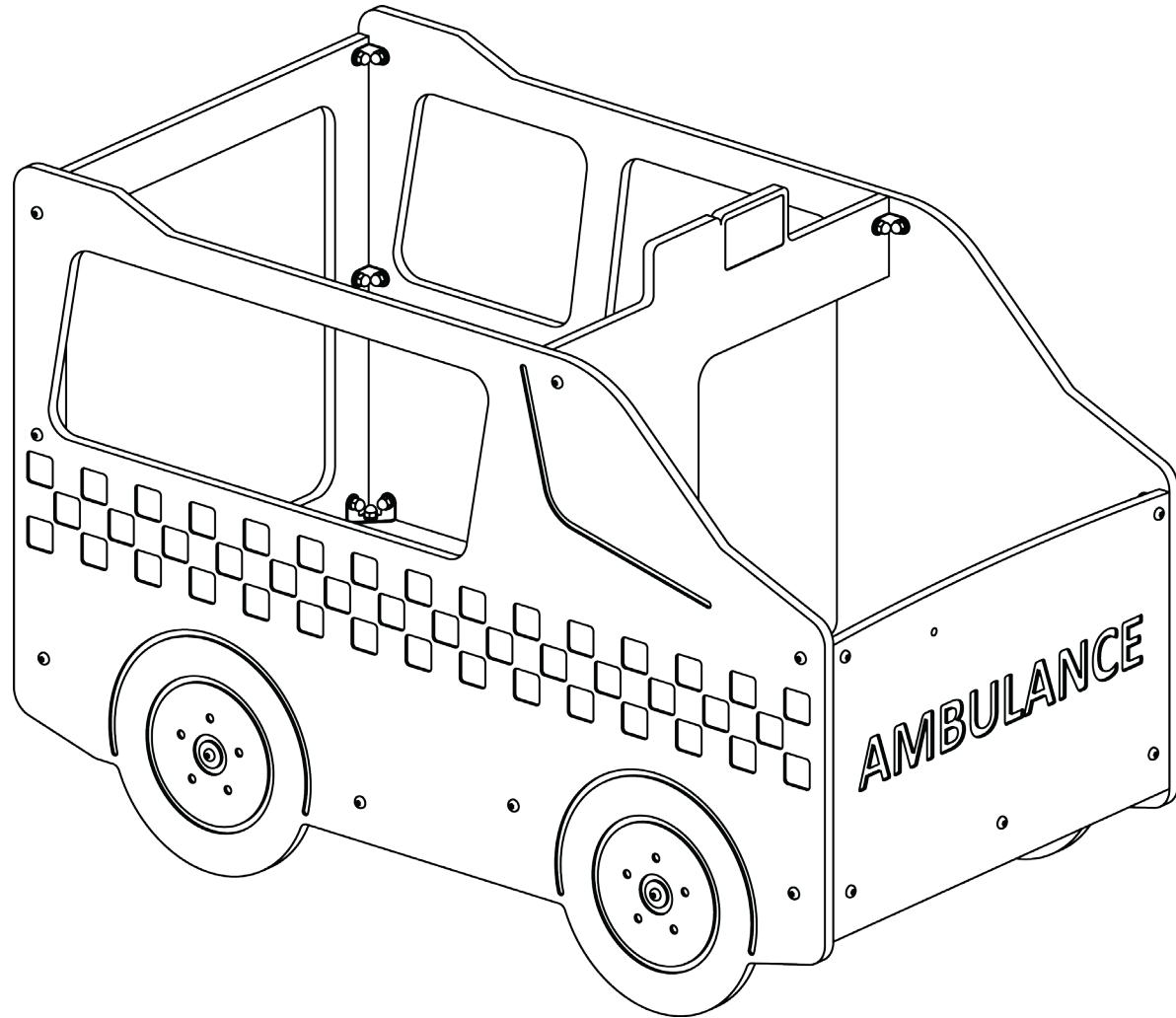
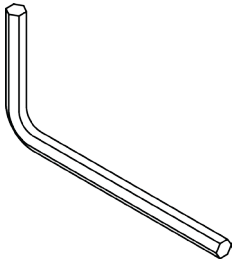
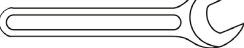


AMBULANCE INSTRUCTION SHEET



Tools required:

Tool Drawing	Tool Description
	5mm Allen Key
	13mm Spanner

WARNING
DO NOT USE POWER TOOLS TO ASSEMBLE THIS PRODUCT. USE OF POWER TOOLS WILL CAUSE CROSS THREADING OF THE BOLTS AND VOID ANY WARRANTY. ENSURE THAT HOLES ARE CORRECTLY ALIGNED BEFORE ATTEMPTING TO INSERT ANY BOLT

AMBULANCE INSTRUCTION SHEET

Step 1:

On a flat and level work area, begin by placing the Ambulance Bottom up-side-down (Figure 1 shows the Ambulance Bottom up-side-down - note the position of the hole in the middle and its distance from the edges)

One at a time, take a Bolt and slide it through a hole as per Figure 1. On the end of the bolt, slide an Angle Bracket, then a Spring Washer, and finally, thread on a Dome Nut. Tighten the Nut only finger tight and without tools until the end of assembly.

Take note of the orientation of the brackets.

Note: as a general rule of thumb for the rest of the assembly, all Bolts go through plastic first while the Washer and Nut will sit against the Bracket.

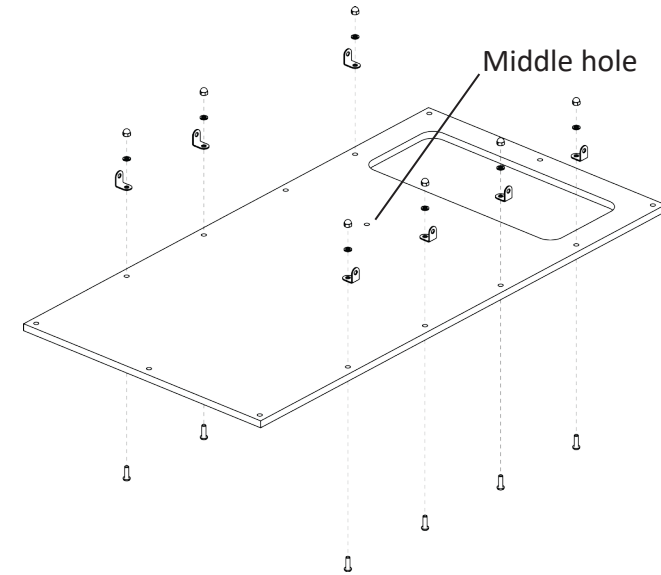


Figure 1

Step 2:

Flip the Ambulance Bottom over to orient it right-side-up.

In the same fashion as Step 1, bolt on the Angle and Corner Brackets as per Figure 2, noting their orientation and tightening only finger tight.

Set the Bottom aside for the moment.

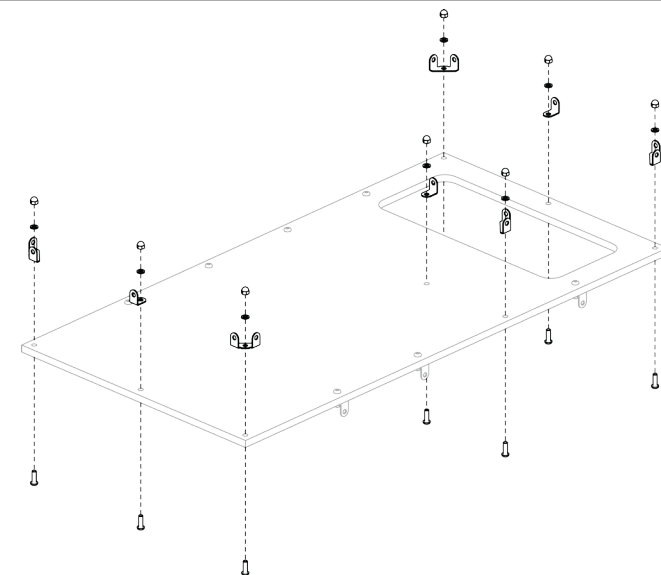


Figure 2

AMBULANCE INSTRUCTION SHEET

Step 3:

As per Figure 3, attach Angle Brackets using the holes shown.

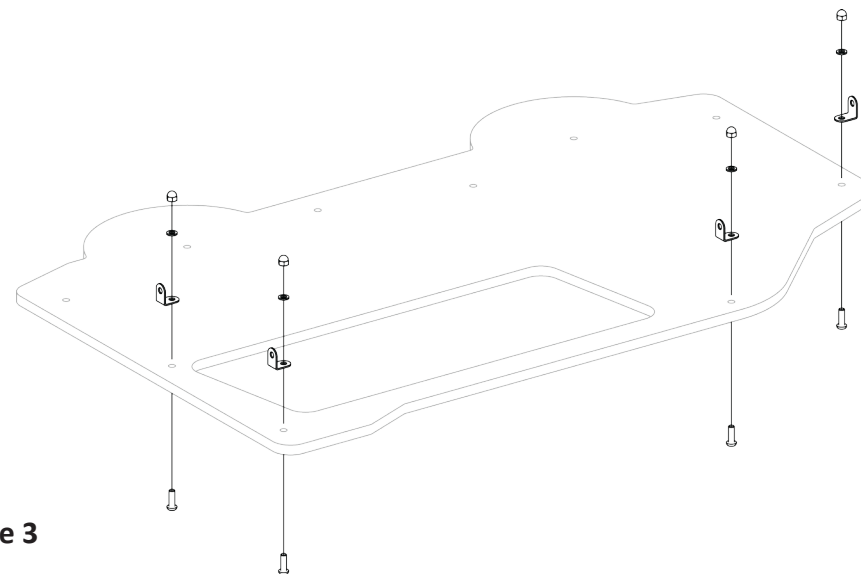


Figure 3

Step 4:

Using a helper, position the Bottom as per Figure 4 and attach with Nuts and Bolts using the holes shown.

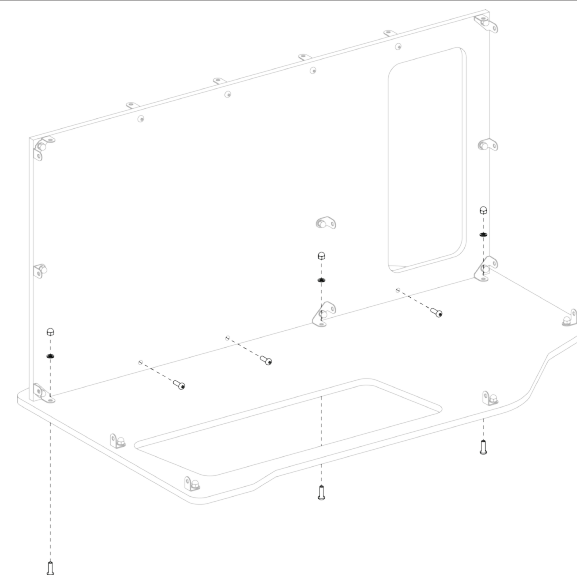


Figure 4

AMBULANCE INSTRUCTION SHEET

Step 5:

From the other side, slide a Spring washer over the end of the thread and then thread on a Dome Nut.

Note: to make this step easier, it is best to push the Bolt through the hole only just so that a small amount of thread protrudes to thread the Dome Nut on. To do otherwise will cause the two Dome Nuts to foul on one another and prevent the Nut threading onto the Bolt.

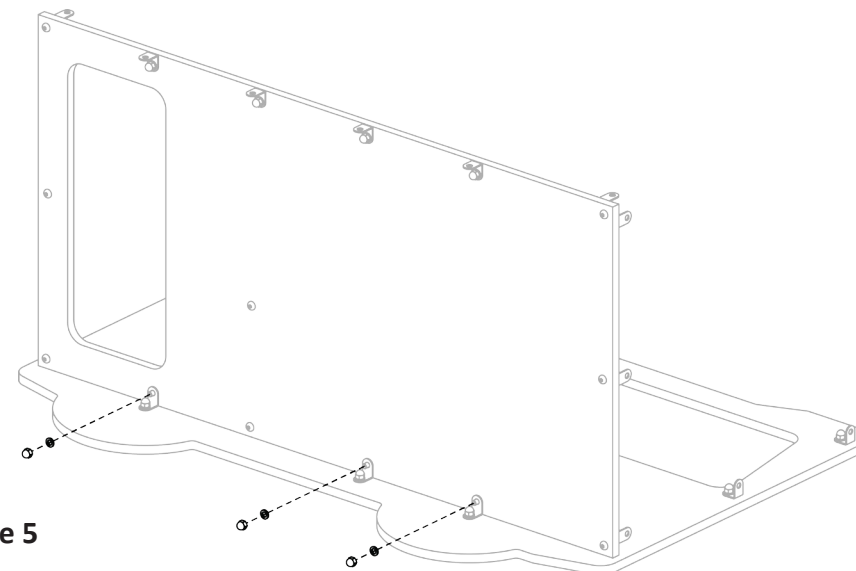


Figure 5

Step 6:

Attach the Ambulance Front using the holes and Brackets shown in Figure 6.

Note that the Front already has the Steering Wheel attached. For clarity of assembly, the Steering Wheel has been removed from the drawing.

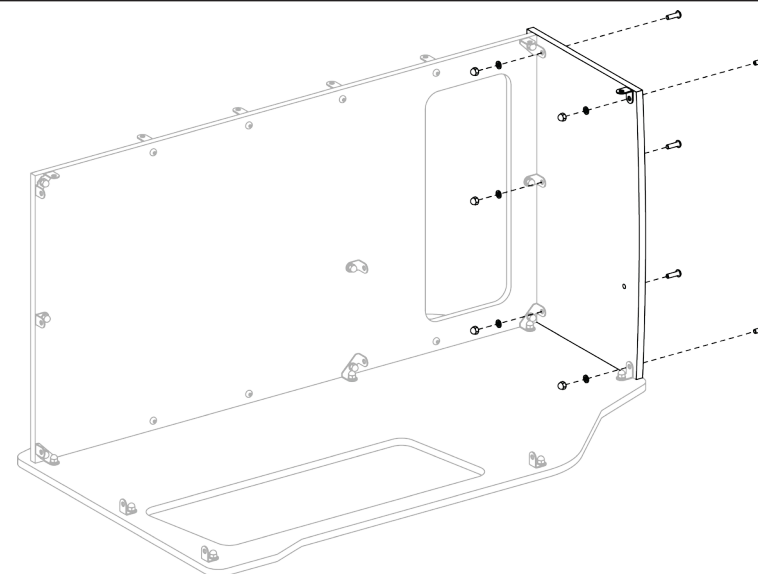


Figure 6

AMBULANCE INSTRUCTION SHEET

Step 7:

Attach the Ambulance Back Door using the holes and Brackets as per Figure 7.

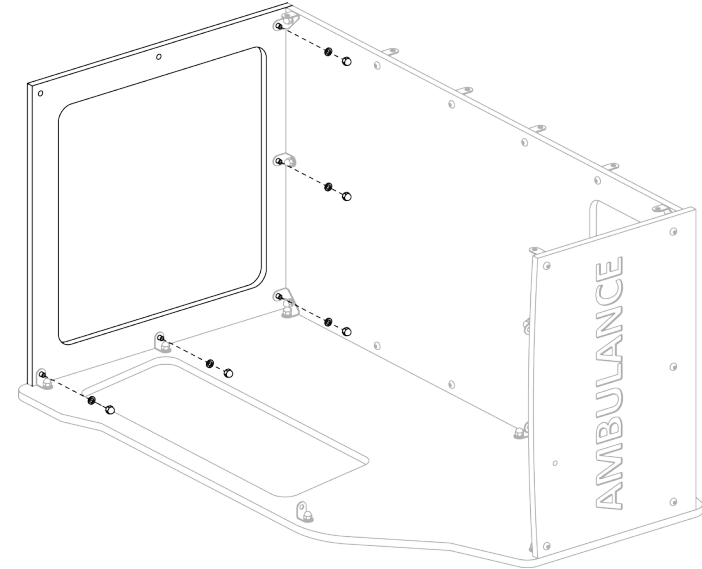


Figure 7

Step 8:

Attach two Angle Brackets as per Figure 8.

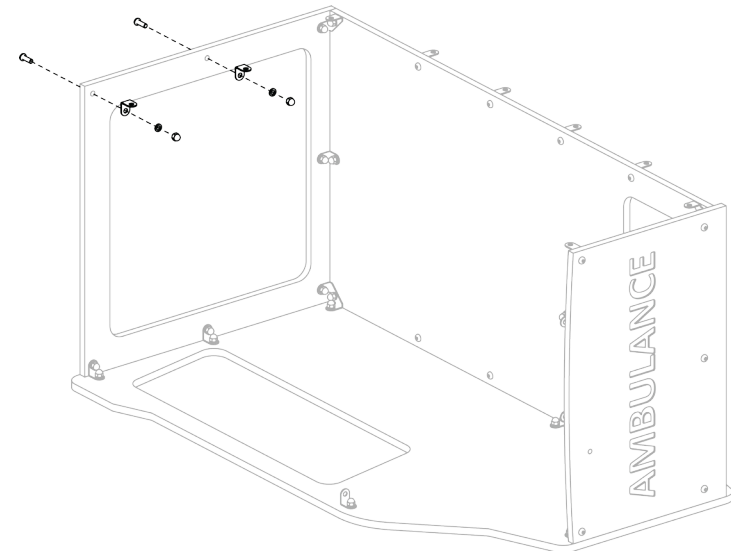


Figure 8

AMBULANCE INSTRUCTION SHEET

Step 9:

Attach the Ambulance Middle using the holes and Brackets as per Figure 9.

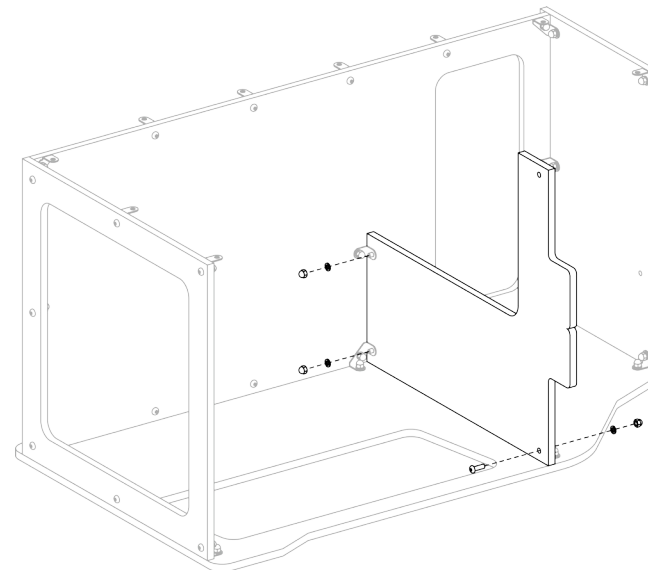


Figure 9

Step 10:

Attach one Angle Bracket as per Figure 10.

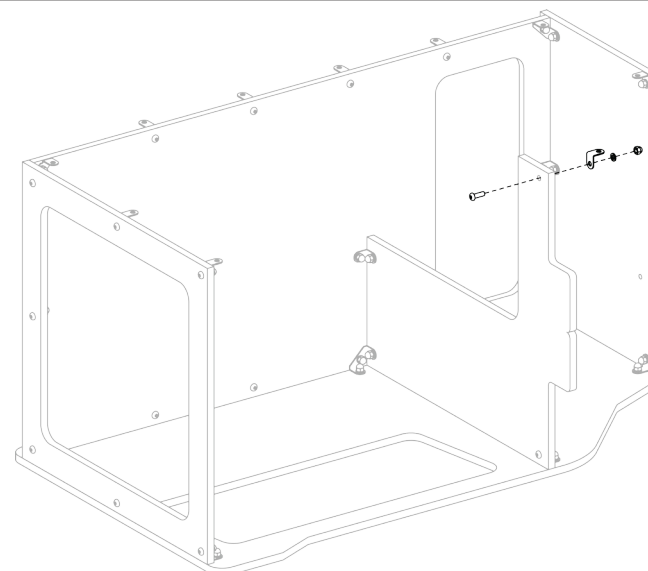


Figure 10

AMBULANCE INSTRUCTION SHEET

Step 11:

Position the Ambulance Left Side as per Figure 11 and slide Bolts through the holes shown.

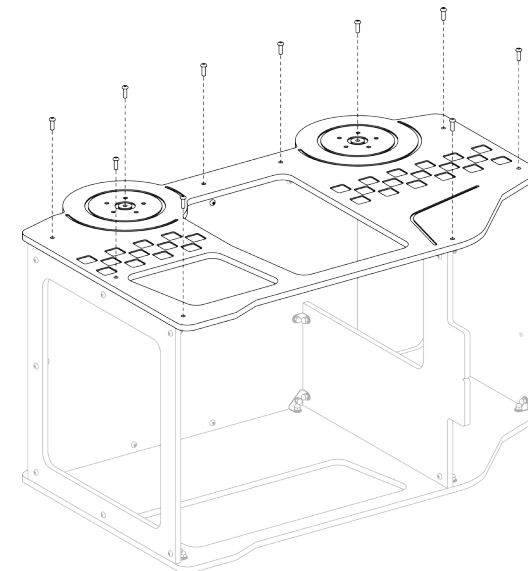


Figure 11

Step 12:

From the inside, Slide on Washers and thread on Dome Nuts.

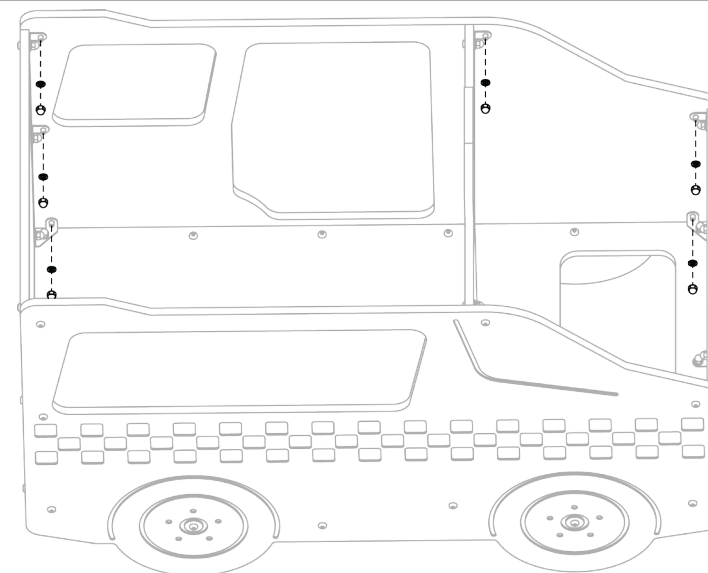


Figure 12

AMBULANCE INSTRUCTION SHEET

Step 13:

Likewise, from the underside, Slide on Washers and thread on Dome Nuts.

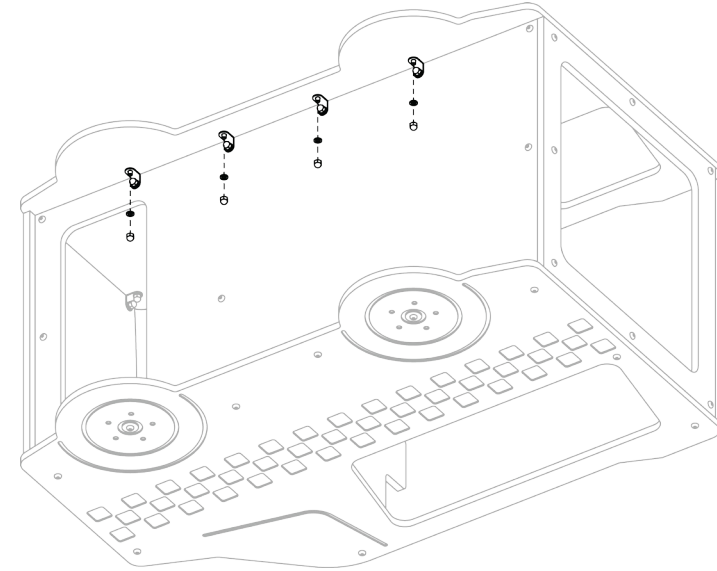


Figure 13

Step 14:

Turn the Ambulance assembly upright so that it sits level on the ground.

Systematically and using a 5mm Allen Key and 13mm Spanner, tighten all Nuts and Bolts. **DO NOT OVERTIGHTEN** - stainless steel can be easily cross-threaded.

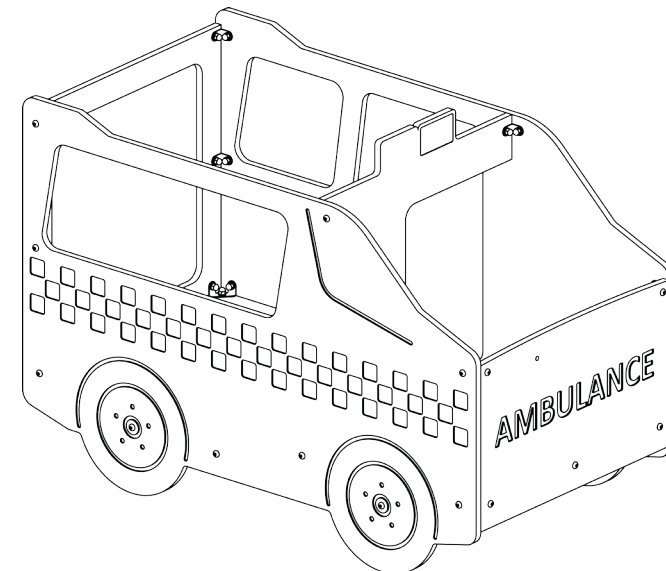
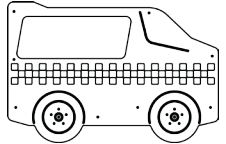
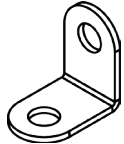
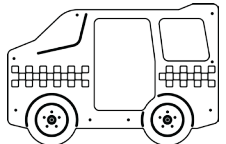
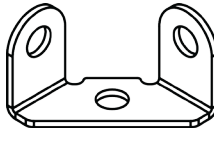
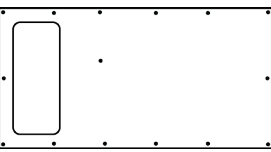
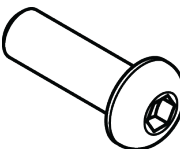
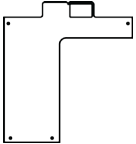
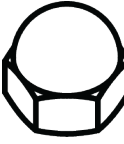


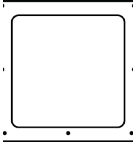


Figure 14

Included in this kit:

Part Drawing	Part Description	Qty Included	Part Drawing	Part Description	Qty Included
	Ambulance Right Side	1		Angle Bracket	18
	Ambulance Left Side	1		Corner Bracket	5
	Ambulance Bottom	1		Stainless Bolt M8x25	52
	Ambulance Middle	1		Stainless M8 Dome Nut	52
	Ambulance Front (with Steering Wheel)	1		Stainless M8 Spring Washer	52
	Ambulance Back Door	1			