

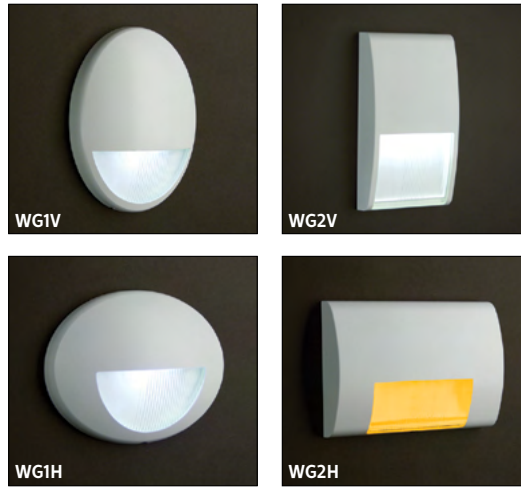
# CHLORIDE

by  Signify

## Healthcare

WayGlo

LED night light



Project: \_\_\_\_\_  
 Location: \_\_\_\_\_  
 Cat.No: \_\_\_\_\_  
 Type: \_\_\_\_\_  
 Lamps: \_\_\_\_\_ Qty: \_\_\_\_\_  
 Notes: \_\_\_\_\_

Chloride WayGlo LED Night Light provides a smooth pattern of light at the floor plane. It is available in two different faceplate designs with versions for both vertical and horizontal orientations. WayGlo's versatility makes it a suitable selection for additional applications such as task lighting at a counter, or corridor and stair illumination. The WayGlo LED Night Light is also available with the WGT Series back box for thru-wall applications where a two-faced solution is desired. The thru-wall backbox accepts two WayGlo faceplates located on opposite sides of the wall.

### Ordering guide

Example: WG1V1AL

Family	LED Color	Finish <sup>1</sup>	Options
WG1V Vertical oval faceplate	1 white	SWH Soft White	PCC Photocell Control
WG2V Vertical rectangle faceplate	2 amber	BL Black	
WG1H Horizontal oval faceplate		AL Aluminum	
WG2H Horizontal rectangle faceplate		CC <sup>2</sup> Custom Color	

#### Notes:

Single-gang backbox (provided by others).  
 All Way-Glo Night Lights are 120/277 dual voltage input

#### Footnotes:

<sup>1</sup> The finish designation is for the faceplate only. The reflector comes standard as SWH - Soft White.  
<sup>2</sup> Customer to provide RAL number or color chip to match.

### Accessories (order separately)

- **WGT** – WayGlo thru-wall back box. The WGT accepts two WayGlo faceplates located on opposite sides of the wall. WayGlo faceplate styles (of the same orientation) can be mixed and matched with the Thru-wall backbox. The WGT is field convertible for either vertical or horizontal style faceplates. Both faceplates must be of the same orientation and voltage.
- **WGS** – WayGlo single-gang back box with hanger strap to simplify the mounting of single-gang back box. The hanger strap to be mounted to single-gang back box.

### Features

- The sealed optical compartment and smooth surface allows simple cleaning of the faceplate
- For single-sided applications, the back plate is mounted to a standard single-gang junction box. If desired, a single gang junction box can be ordered as an accessory using "WGS". For thru-wall applications consisting of two night lights on opposite sides of the wall, the two back plates are mounted to the WGT thru-wall recessed back box. This thru-wall recessed back box is ordered separately as an accessory using "WGT".
- WayGlo is available with white or amber LEDs
- No exposed fasteners
- WayGlo comes in three standard paint colors (white, black and aluminum) or can be specified in custom colors
- All standard finishes have an antimicrobial additive to inhibit the growth of microbes for the life of the product
- WayGlo is rated for wet location environments
- Optional integral photocell control available

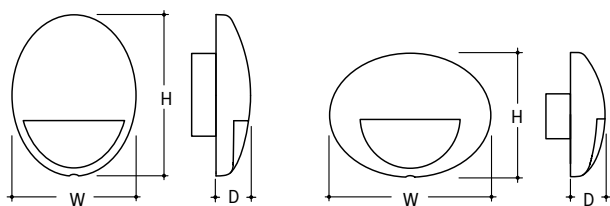


# WG1V/WG2V/WG1H/WG2H LED night light

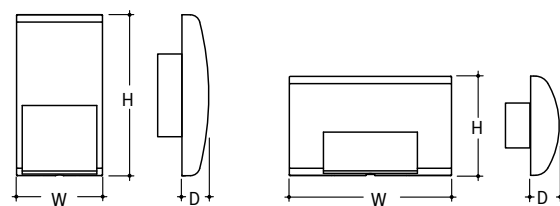
## Specifications

- Construction:** The faceplate and reflector are die cast aluminum. The backplate is formed from 18 gauge galvanized steel and provided with a neoprene gasket. The WGT thru-wall back box is formed from 18 gauge galvanized steel.
- Finish:** The faceplate and reflector have a polyester powdercoat paint finish. All paint colors have an antimicrobial finish to inhibit the growth of microbes.
- Lens:** The custom lens is molded from acrylic.
- Lamps:** WayGlo is available in either white (2850K) or amber (590nm) LEDs. The LEDs maintain a lumen output greater than 70% of the initial lumen rating at 50,000 hours of life.
- Listing:** ETL and CETL listed for wet location applications.
- Electrical:** The LED driver comes provided with (120/277) dual voltage input. The power consumption is  $\leq 3$  watts.
- Installation:** The backplate and driver can be mounted to a single-gang back box. In addition, the backplate and driver can be retrofitted to a NEMA single-gang junction box or to a 1900 junction box with a single-gang plaster ring. An optional tamper-resistant mounting screw and tool are provided. For wet location applications, follow the installation instructions. The depth of the WGT thru-wall back box is field adjustable from 3-1/2" to 6". The faceplate assemblies attach directly to the back box faces. An optional tamper-resistant mounting screw and tool are provided. For wet location applications, follow the installation instructions.
- Warranty:** The driver has a warranty of 3 yrs. from date of manufacture.

## Dimensions



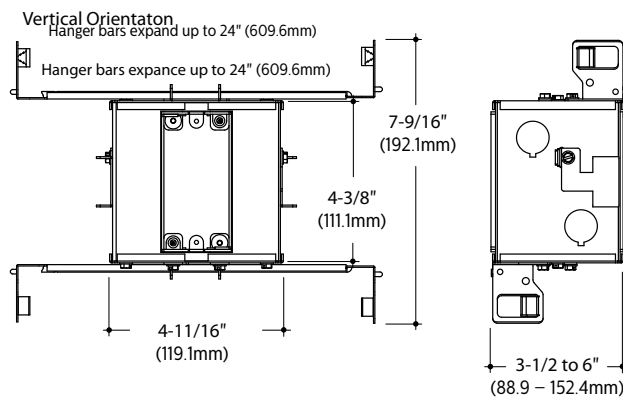
Model #	Height	Width	Depth
WG1V	5-11/16" (144.4 mm)	4-3/8" (111.1 mm)	1-1/4" (31.8 mm)
WG1H	4-3/8" (111.1 mm)	5-11/16" (144.4 mm)	1-3/16" (30.2 mm)



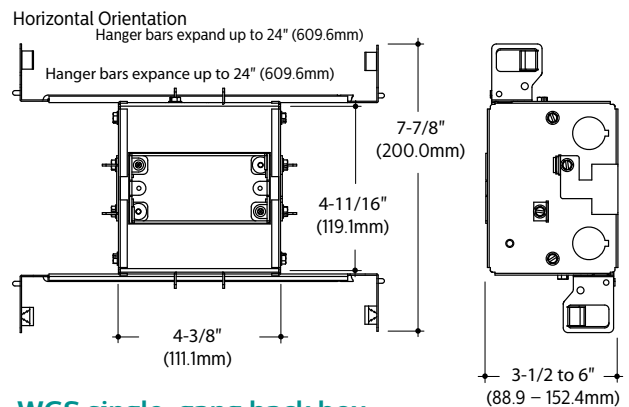
Model #	Height	Width	Depth
WG2V	5-11/16" (144.1 mm)	3" (76.2 mm)	15/16" (23.8 mm)
WG2H	3-15/16" (84.1 mm)	5-3/8" (136.5 mm)	15/16" (23.8 mm)

## WGT thru-wall back box

### Vertical Orientation



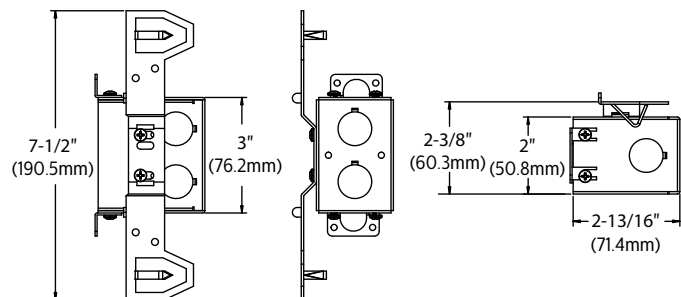
### Horizontal Orientation



### Photocell Control Note:

The photocell is factory set to switch off at 10fc ( $\pm 2.5$ fc) of ambient light and switch on when the light level is below 5fc ( $\pm 2.5$ fc). The sensitivity of the photocell is not field adjustable and performance can vary depending on room finishes, mounting location and surrounding objects.

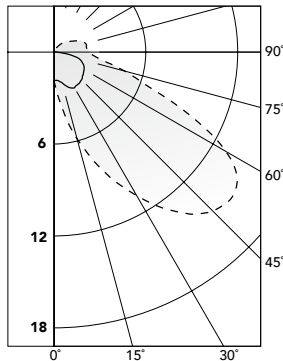
## WGS single-gang back box



# WG1V/WG2V/WG1H/WG2H LED night light

## WG1V1

(2) 2 Watt White Light Emitting Diodes (LEDs)  
Report No.: ITL58823



LEGEND:  
0-deg: - - - - -  
90-deg: \_\_\_\_\_

## CO-EFFICIENTS OF UTILIZATION | Effective floor cavity reflectance=20%

rc rw	80				70				50			30			10			0	
	70	50	30	10	70	50	30	10	50	30	10	50	30	10	50	30	10	0	
RCR	0	117	117	117	117	113	113	113	113	106	106	106	100	100	100	94	94	94	91
	1	104	99	93	89	101	95	91	87	90	86	82	84	81	78	79	77	74	71
	2	93	84	76	69	90	81	74	67	76	70	64	71	66	62	67	63	59	56
	3	84	71	62	55	80	69	61	54	65	58	52	61	55	49	57	52	48	45
	4	75	62	52	44	72	60	51	44	56	48	42	53	46	40	49	44	39	36
	5	68	54	44	37	66	52	43	36	49	41	35	46	39	34	43	37	32	30
	6	62	48	38	31	60	46	37	30	43	35	29	41	34	28	38	32	27	25
	7	57	42	33	26	55	41	32	26	39	31	25	37	29	24	34	28	23	21
	8	53	38	29	22	51	37	28	22	35	27	21	33	26	21	31	25	20	18
	9	49	34	26	20	47	33	25	19	32	24	19	30	23	18	28	22	18	15
	10	46	31	23	17	44	30	22	17	29	21	16	27	21	16	26	20	15	13

## CANDLEPOWER DISTRIBUTION

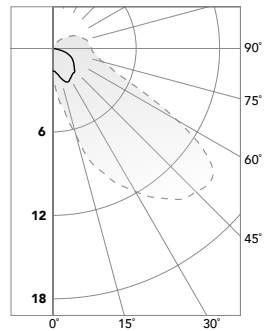
Vertical Angle	Horizontal Angle					Vertical Angle	Horizontal Angle				
	0°	45°	90°	135°	180°		0°	45°	90°	135°	180°
0°	1.8	1.8	1.8	1.8	1.8	95°	3.5	2.4	0.0	0.0	0.0
5°	2.8	2.5	1.8	1.3	1.1	105°	2.9	1.9	0.0	0.0	0.0
15°	5.9	4.7	2.1	0.5	0.2	115°	2.3	1.4	0.0	0.0	0.0
25°	9.2	6.9	2.6	0.1	0.0	125°	1.8	1.0	0.0	0.0	0.0
35°	12.4	8.8	2.6	0.0	0.0	135°	1.2	0.6	0.0	0.0	0.0
45°	14.7	10.2	2.5	0.0	0.0	145°	0.7	0.3	0.0	0.0	0.0
55°	14.6	10.5	2.3	0.0	0.0	155°	0.2	0.1	0.0	0.0	0.0
65°	9.9	8.8	2.2	0.0	0.0	165°	0.0	0.0	0.0	0.0	0.0
75°	4.8	4.1	1.7	0.0	0.0	175°	0.0	0.0	0.0	0.0	0.0
85°	2.6	1.9	0.5	0.0	0.0	180°	0.0	0.0	0.0	0.0	0.0
90°	2.3	1.6	0.2	0.0	0.0						

## ZONAL LUMEN SUMMARY

Zone	Lumens	% Fixt.
0-30	3	11.1
0-40	5	23.0
0-60	14	58.7
0-90	21	89.3
90-120	2	8.3
90-130	2	9.5
90-150	2	10.6
90-180	2	10.7
0-180	23	100.0

## WG1H1

(2) 2 Watt White Light Emitting Diodes (LEDs)  
Report No.: ITL58824



LEGEND:  
0-deg: - - - - -  
90-deg: \_\_\_\_\_

## CO-EFFICIENTS OF UTILIZATION | Effective floor cavity reflectance=20%

rc rw	80				70				50			30			10			0	
	70	50	30	10	70	50	30	10	50	30	10	50	30	10	50	30	10	0	
RCR	0	116	116	116	116	112	112	112	112	104	104	104	97	97	97	90	90	90	87
	1	104	98	93	88	99	94	90	86	88	84	81	82	79	76	76	74	71	68
	2	93	83	76	69	89	80	73	67	75	69	64	69	65	60	64	61	57	54
	3	83	72	63	55	80	69	61	54	64	57	51	60	54	49	55	51	46	43
	4	76	62	53	45	72	60	51	44	56	48	42	52	45	40	48	43	38	35
	5	69	55	45	38	65	53	44	37	49	41	35	46	39	34	42	37	32	29
	6	63	48	39	32	60	47	38	31	43	36	30	40	34	28	38	32	27	25
	7	58	43	34	23	55	42	33	26	39	31	25	36	29	24	34	28	23	21
	8	53	39	30	23	51	37	29	23	35	27	22	33	26	21	30	25	20	18
	9	49	35	26	20	47	34	26	20	32	24	19	30	23	18	28	22	18	15
	10	46	32	23	18	44	31	23	17	29	22	17	27	21	16	25	20	15	13

## CANDLEPOWER DISTRIBUTION

Vertical Angle	Horizontal Angle					Vertical Angle	Horizontal Angle				
	0°	45°	90°	135°	180°		0°	45°	90°	135°	180°
0°	1.6	1.6	1.6	1.6	1.6	95°	2.6	1.8	0.1	0.0	0.0
5°	3.1	2.8	1.6	1.1	0.9	105°	2.5	1.6	0.1	0.0	0.0
15°	6.4	5.0	2.2	0.5	0.3	115°	2.1	1.2	0.0	0.0	0.0
25°	10.6	8.7	2.6	0.2	0.0	125°	1.6	0.8	0.0	0.0	0.0
35°	13.1	10.6	2.4	0.0	0.0	135°	1.0	0.5	0.0	0.0	0.0
45°	14.6	11.5	2.2	0.0	0.0	145°	0.6	0.3	0.0	0.0	0.0
55°	13.6	11.1	1.9	0.0	0.0	155°	0.2	0.1	0.0	0.0	0.0
65°	6.8	7.7	1.5	0.0	0.0	165°	0.0	0.0	0.0	0.0	0.0
75°	3.8	3.2	0.9	0.0	0.0	175°	0.0	0.0	0.0	0.0	0.0
85°	2.9	2.1	0.2	0.0	0.0	180°	0.0	0.0	0.0	0.0	0.0
90°	2.8	1.9	0.1	0.0	0.0						

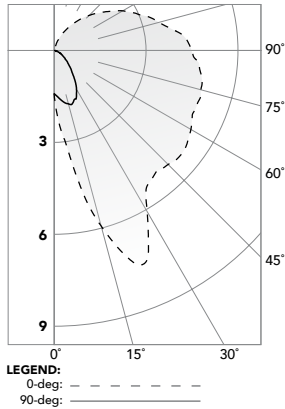
## ZONAL LUMEN SUMMARY

Zone	Lumens	% Fixt.
0-30	3	12.6
0-40	6	25.9
0-60	14	62.4
0-90	20	87.7
90-120	2	9.5
90-130	3	11.0
90-150	3	12.2
90-180	3	12.3
0-180	23	100.0

# WG1V/WG2V/WG1H/WG2H LED night light

## WG2V1

(2) 2 Watt White Light Emitting Diodes (LEDs)  
Report No.: ITL58825



### CO-EFFICIENTS OF UTILIZATION | Effective floor cavity reflectance=20%

rc rw	80				70				50			30			10			0	
	70	50	30	10	70	50	30	10	50	30	10	50	30	10	50	30	10	0	
RCR	0	120	120	120	120	115	115	115	115	105	105	105	95	95	95	86	86	86	82
	1	105	97	91	85	99	93	87	82	84	79	75	75	72	68	68	65	62	58
	2	93	82	73	66	88	78	70	63	70	64	58	63	58	53	57	52	48	45
	3	84	71	61	52	79	67	58	50	61	53	47	54	48	43	49	43	39	35
	4	76	62	51	43	72	59	49	41	53	45	38	48	41	35	43	37	32	29
	5	69	54	44	36	65	52	42	35	47	39	32	42	35	30	38	32	27	24
	6	64	48	38	31	60	46	37	30	42	34	28	38	31	25	34	28	23	21
	7	59	43	33	27	55	41	32	26	38	30	24	34	27	22	31	25	20	18
	8	54	39	30	23	51	37	29	22	34	26	21	31	24	19	28	22	18	15
	9	51	36	27	20	48	34	26	20	31	24	18	28	22	17	26	20	16	13
	10	47	33	24	18	45	31	23	17	29	21	16	26	20	15	24	18	14	12

### CANDLEPOWER DISTRIBUTION

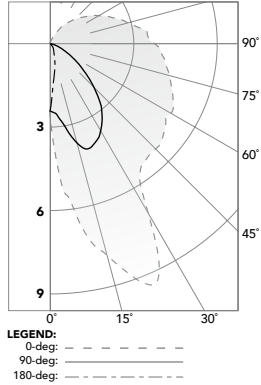
Vertical Angle	Horizontal Angle					Vertical Angle	Horizontal Angle				
	0°	45°	90°	135°	180°		0°	45°	90°	135°	180°
0°	1.4	1.4	1.4	1.4	1.4	95°	4.3	3.1	0.0	0.0	0.0
5°	2.6	2.4	1.5	0.8	0.6	105°	3.5	2.4	0.0	0.0	0.0
15°	5.9	5.0	1.8	0.2	0.2	115°	2.9	1.9	0.0	0.0	0.0
25°	7.3	6.7	1.7	0.1	0.1	125°	2.2	1.4	0.0	0.0	0.0
35°	5.3	5.9	1.2	0.1	0.0	135°	1.6	1.0	0.0	0.0	0.0
45°	5.3	5.0	0.7	0.0	0.0	145°	1.1	0.6	0.0	0.0	0.0
55°	5.3	4.7	0.4	0.0	0.0	155°	0.5	0.2	0.0	0.0	0.0
65°	5.0	4.3	0.2	0.0	0.0	165°	0.1	0.1	0.0	0.0	0.0
75°	5.0	3.8	0.1	0.0	0.0	175°	0.0	0.0	0.0	0.0	0.0
85°	4.8	3.5	0.0	0.0	0.0	180°	0.0	0.0	0.0	0.0	0.0
90°	4.4	3.2	0.0	0.0	0.0						

### ZONAL LUMEN SUMMARY

Zone	Lumens	% Fixt.
0-30	2	13.2
0-40	4	22.4
0-60	7	43.0
0-90	13	73.4
90-120	3	19.9
90-130	4	23.2
90-150	5	26.2
90-180	5	26.6
0-180	17	100.0

## WG2H1

(2) 2 Watt White Light Emitting Diodes (LEDs)  
Report No.: ITL58826



### CO-EFFICIENTS OF UTILIZATION | Effective floor cavity reflectance=20%

rc rw	80				70				50			30			10			0	
	70	50	30	10	70	50	30	10	50	30	10	50	30	10	50	30	10	0	
RCR	0	108	108	108	108	104	104	104	104	96	96	96	88	88	88	81	81	81	78
	1	96	91	86	81	92	87	82	78	80	76	73	73	70	67	67	65	63	59
	2	86	77	70	63	82	74	67	61	68	62	57	62	57	53	57	53	50	47
	3	78	67	58	51	74	64	56	50	59	52	47	54	48	44	49	45	41	38
	4	71	58	49	42	67	56	48	41	51	44	39	47	41	36	43	38	34	31
	5	65	52	43	36	61	50	41	35	46	38	33	42	36	31	39	33	29	27
	6	59	46	37	31	56	44	36	30	41	34	28	38	32	27	35	29	25	23
	7	55	41	33	27	52	40	32	26	37	30	25	34	28	23	31	26	22	20
	8	51	38	29	23	48	36	28	23	34	27	22	31	25	21	29	23	20	17
	9	47	34	26	21	45	33	25	20	31	24	19	28	23	18	26	21	17	15
	10	44	31	24	19	42	30	23	18	28	22	17	26	20	16	24	19	16	14

### CANDLEPOWER DISTRIBUTION

Vertical Angle	Horizontal Angle					Vertical Angle	Horizontal Angle				
	0°	45°	90°	135°	180°		0°	45°	90°	135°	180°
0°	2.4	2.4	2.4	2.4	2.4	95°	3.5	2.4	0.0	0.0	0.0
5°	5.1	4.6	2.5	1.6	1.4	105°	2.9	1.9	0.0	0.0	0.0
15°	7.8	7.1	3.6	0.9	0.7	115°	2.3	1.4	0.0	0.0	0.0
25°	9.3	7.9	3.9	0.5	0.3	125°	1.8	1.0	0.0	0.0	0.0
35°	5.7	6.3	3.3	0.3	0.2	135°	1.2	0.6	0.0	0.0	0.0
45°	5.4	5.2	2.3	0.1	0.1	145°	0.7	0.3	0.0	0.0	0.0
55°	5.1	4.6	1.3	0.1	0.0	155°	0.2	0.1	0.0	0.0	0.0
65°	4.9	4.0	0.6	0.0	0.0	165°	0.0	0.0	0.0	0.0	0.0
75°	4.5	3.4	0.2	0.0	0.0	175°	0.0	0.0	0.0	0.0	0.0
85°	4.0	2.9	0.1	0.0	0.0	180°	0.0	0.0	0.0	0.0	0.0
90°	3.8	2.7	0.0	0.0	0.0						

### ZONAL LUMEN SUMMARY

Zone	Lumens	% Fixt.
0-30	3	18.9
0-40	5	30.4
0-60	9	52.9
0-90	14	80.4
90-120	3	15.2
90-130	3	17.6
90-150	3	19.5
90-180	3	19.6
0-180	18	100.0

