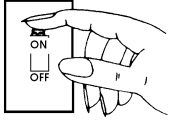


# INSTALLATION INSTRUCTIONS

READ IMPORTANT SAFETY TIPS BEFORE PROCEEDING WITH INSTALLATION

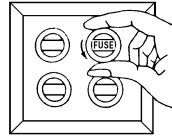
## SAFETY TIPS



Turn fixture off! (Place wall switch in off position, if fixture has built-in switch or chain pull, switch or pull chain so fixture is off.)

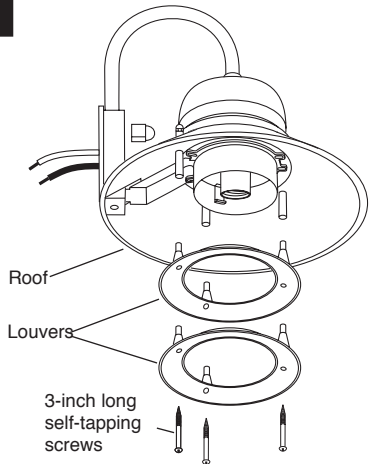


Next - go to the main fuse box. If your fuse box has an ON/OFF switch, simply place main power switch in OFF position.



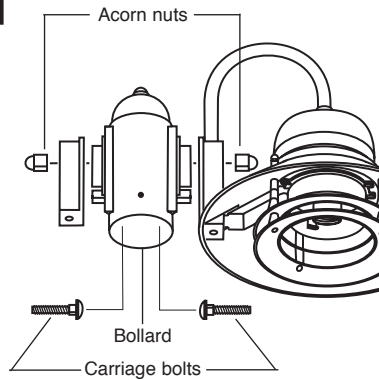
Screw-in type fuses - unscrew the fuse or fuses that control the power to the fixture or room you are working in.

1



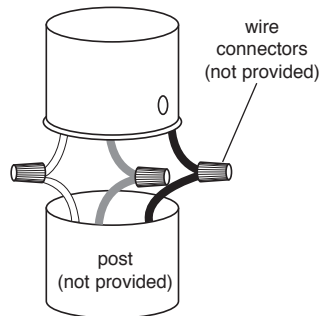
Attach louvers to roof as shown.

2



Attach assembly from Figure 1 to bollard base with 1/2" long carriage bolt and acorn nut. Attach bollard side cover to bollard base with 2" long carriage bolt and acorn nut.

3

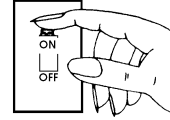


Connect the wires. Note: Attach black fixture wire to black supply wire, white fixture wire to white supply wire. Do not mix them up. Use wire connectors (not provided). Connect bare fixture ground wire to ground from outlet box. NEVER CONNECT GROUND WIRE TO BLACK OR WHITE POWER SUPPLY WIRES.

# INSTALLATION INSTRUCTIONS

READ IMPORTANT SAFETY TIPS BEFORE PROCEEDING WITH INSTALLATION

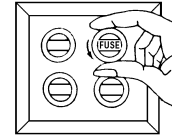
## SAFETY TIPS



Turn fixture off! (Place wall switch in off position, if fixture has built-in switch or chain pull, switch or pull chain so fixture is off.)

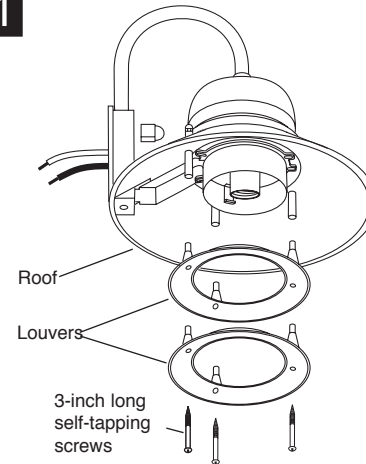


Next - go to the main fuse box. If your fuse box has an ON/OFF switch, simply place main power switch in OFF position.



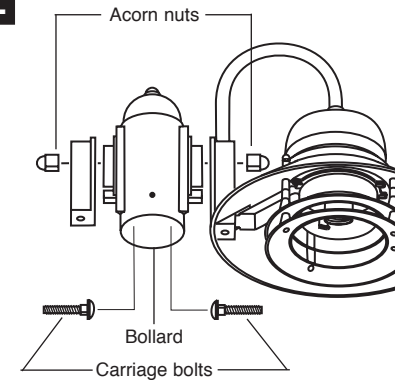
Screw-in type fuses - unscrew the fuse or fuses that control the power to the fixture or room you are working in.

1



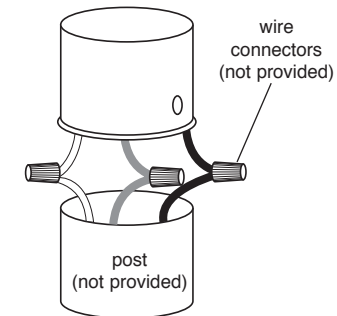
Attach louvers to roof as shown.

2



Attach assembly from Figure 1 to bollard base with 1/2" long carriage bolt and acorn nut. Attach bollard side cover to bollard base with 2" long carriage bolt and acorn nut.

3



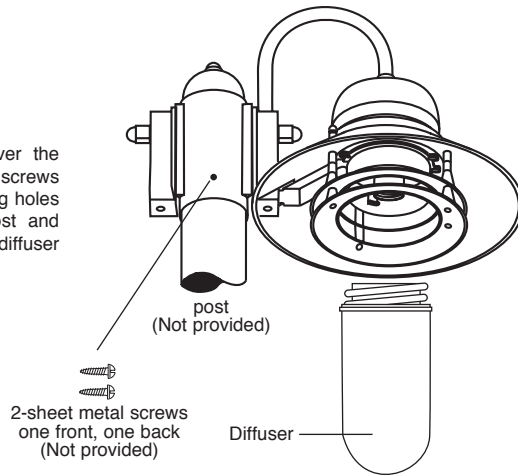
Connect the wires. Note: Attach black fixture wire to black supply wire, white fixture wire to white supply wire. Do not mix them up. Use wire connectors (not provided). Connect bare fixture ground wire to ground from outlet box. NEVER CONNECT GROUND WIRE TO BLACK OR WHITE POWER SUPPLY WIRES.

# INSTALLATION INSTRUCTIONS

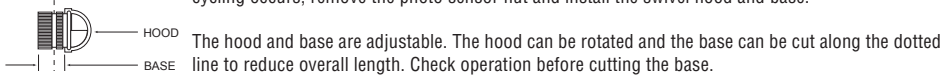
CONTINUED FROM OTHER SIDE


4

POSITION THE FIXTURE over the post as shown. Fasten with screws at holes in post collar by drilling holes at same location through post and securing with screws. Screw diffuser into roof.



This fixture may have an integral photo sensor that turns the fixture off during the day and on at night. The photo sensor is not adjustable. The fixture could possibly cycle on and off due to light reflected from nearby surfaces into the photo sensor. If cycling occurs, remove the photo sensor nut and install the swivel hood and base.



 Clean only with mild soap and water. Avoid spraying with Cleansers, Insecticides, and Pesticides that a petroleum based hydrocarbon products. These will degrade Luminaire.

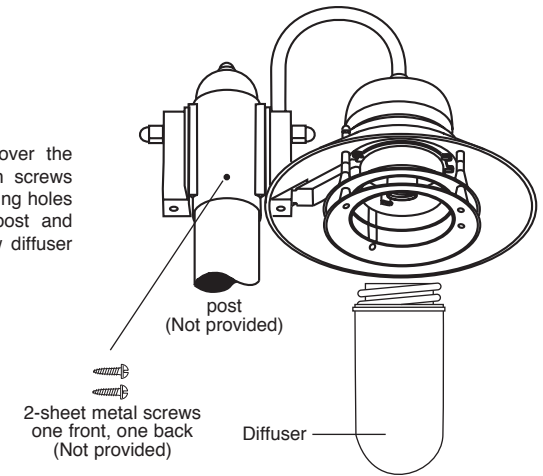
**CAUTION: Do not turn on without diffuser installed. Do not touch LEDs or circuit board. LED optics could be damaged. No lamp replacement required! Integral LED light engine supplied. Do not remove protective cover from LED light engine.**

# INSTALLATION INSTRUCTIONS

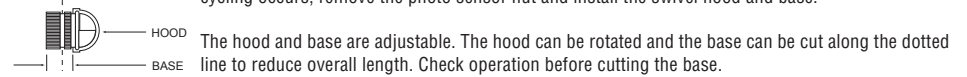
CONTINUED FROM OTHER SIDE


4

POSITION THE FIXTURE over the post as shown. Fasten with screws at holes in post collar by drilling holes at same location through post and securing with screws. Screw diffuser into roof.



This fixture may have an integral photo sensor that turns the fixture off during the day and on at night. The photo sensor is not adjustable. The fixture could possibly cycle on and off due to light reflected from nearby surfaces into the photo sensor. If cycling occurs, remove the photo sensor nut and install the swivel hood and base.



 Clean only with mild soap and water. Avoid spraying with Cleansers, Insecticides, and Pesticides that a petroleum based hydrocarbon products. These will degrade Luminaire.

**CAUTION: Do not turn on without diffuser installed. Do not touch LEDs or circuit board. LED optics could be damaged. No lamp replacement required! Integral LED light engine supplied. Do not remove protective cover from LED light engine.**