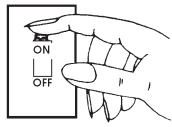


INSTALLATION INSTRUCTIONS

READ IMPORTANT SAFETY TIPS BEFORE PROCEEDING WITH INSTALLATION

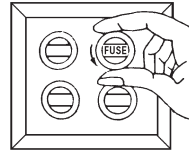
SAFETY TIPS



Turn fixture off! (Place wall switch in off position, if fixture has built-in switch or chain pull, switch or pull chain so fixture is off.)

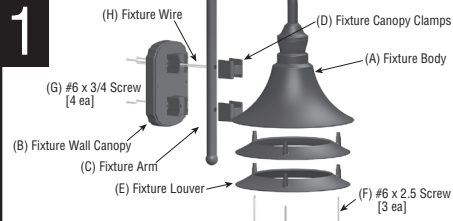


Next - go to the main fuse box. If your fuse box has an ON/OFF switch, simply place main power switch in OFF position.



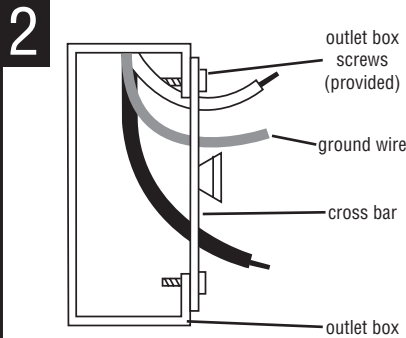
Screw-in type fuses - unscrew the fuse or fuses that control the power to the fixture or room you are working in.

1



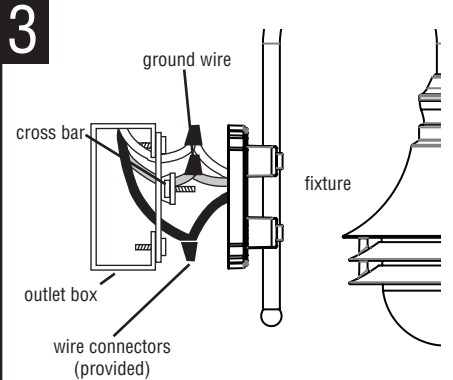
Assemble the fixture body. Align the fixture louvers with the body as shown above. Push the #6 x 2.5 self tapping screws through the alignment holes and tighten. Pull fixture wires through the fixture wall canopy as shown above and place against the fixture arm. Slide fixture canopy clamps (2) over the arm and wall canopy. Secure clamps using the #6 x 3/4 self threading screws provided.

2



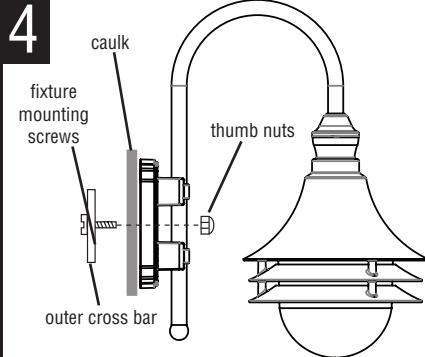
ATTACH the cross bar to the outlet box with outlet box screws (provided).

3



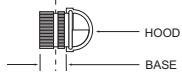
CONNECT THE WIRES. NOTE: Attach black fixture wire to black supply wire, white fixture wire to white supply wire. Do not mix them up. Use wire connectors (not provided). Connect bare fixture ground wire to ground wire from outlet box. NEVER CONNECT GROUND WIRE TO BLACK OR WHITE POWER SUPPLY WIRES.

4



POSITION THE FIXTURE wall canopy over the fixture mounting screws and secure in place with the thumb nuts provided. NOTE: Fixture MUST be caulked with an acrylic caulk where fixture housing meets mounting surface. This provides a water tight seal when fixture is installed. Screw light bulb into socket. Install fixture lens by aligning slots in lens with bosses in fixture, push lens into housing until seated and twist clockwise to secure in place.

This fixture may have an integral photo sensor that turns the fixture off during the day and on at night. The photo sensor is not adjustable. The fixture could possibly cycle on and off due to light reflected from nearby surfaces into the photo sensor. If cycling occurs, remove the photo sensor nut and install the swivel hood and base.



The hood and base are adjustable. The hood can be rotated and the base can be cut along the dotted line to reduce overall length. Check operation before cutting the base.



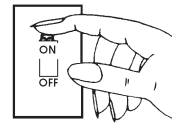
Clean only with mild soap and water. Avoid spraying with Cleansers, Insecticides, and Pesticides that a petroleum based hydrocarbon products. These will degrade Luminaire.

IFN160160

INSTALLATION INSTRUCTIONS

READ IMPORTANT SAFETY TIPS BEFORE PROCEEDING WITH INSTALLATION

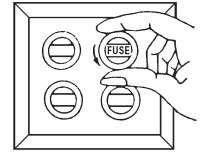
SAFETY TIPS



Turn fixture off! (Place wall switch in off position, if fixture has built-in switch or chain pull, switch or pull chain so fixture is off.)

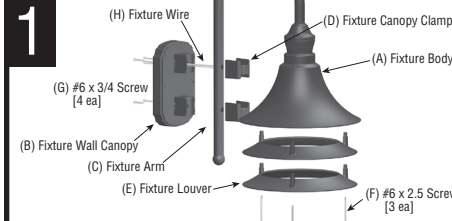


Next - go to the main fuse box. If your fuse box has an ON/OFF switch, simply place main power switch in OFF position.



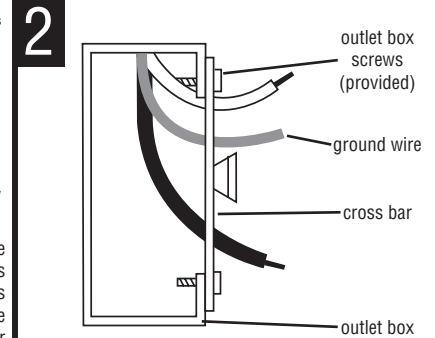
Screw-in type fuses - unscrew the fuse or fuses that control the power to the fixture or room you are working in.

1



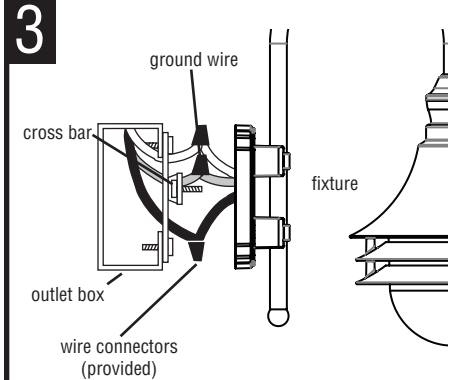
Assemble the fixture body. Align the fixture louvers with the body as shown above. Push the #6 x 2.5 self tapping screws through the alignment holes and tighten. Pull fixture wires through the fixture wall canopy as shown above and place against the fixture arm. Slide fixture canopy clamps (2) over the arm and wall canopy. Secure clamps using the #6 x 3/4 self threading screws provided.

2



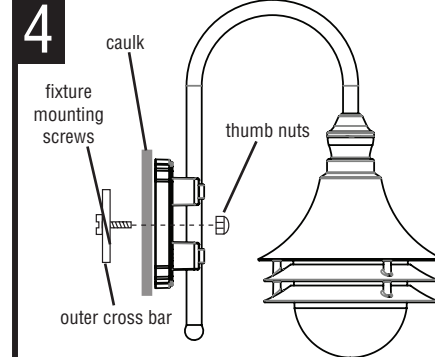
ATTACH the cross bar to the outlet box with outlet box screws (provided).

3



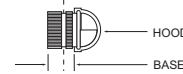
CONNECT THE WIRES. NOTE: Attach black fixture wire to black supply wire, white fixture wire to white supply wire. Do not mix them up. Use wire connectors (not provided). Connect bare fixture ground wire to ground wire from outlet box. NEVER CONNECT GROUND WIRE TO BLACK OR WHITE POWER SUPPLY WIRES.

4



POSITION THE FIXTURE wall canopy over the fixture mounting screws and secure in place with the thumb nuts provided. NOTE: Fixture MUST be caulked with an acrylic caulk where fixture housing meets mounting surface. This provides a water tight seal when fixture is installed. Screw light bulb into socket. Install fixture lens by aligning slots in lens with bosses in fixture, push lens into housing until seated and twist clockwise to secure in place.

This fixture may have an integral photo sensor that turns the fixture off during the day and on at night. The photo sensor is not adjustable. The fixture could possibly cycle on and off due to light reflected from nearby surfaces into the photo sensor. If cycling occurs, remove the photo sensor nut and install the swivel hood and base.



The hood and base are adjustable. The hood can be rotated and the base can be cut along the dotted line to reduce overall length. Check operation before cutting the base.



Clean only with mild soap and water. Avoid spraying with Cleansers, Insecticides, and Pesticides that a petroleum based hydrocarbon products. These will degrade Luminaire.

IFN160160