

STONE SERIES INSTALLATION GUIDE



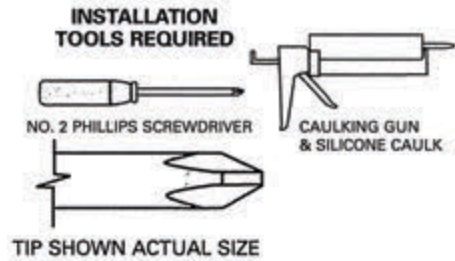
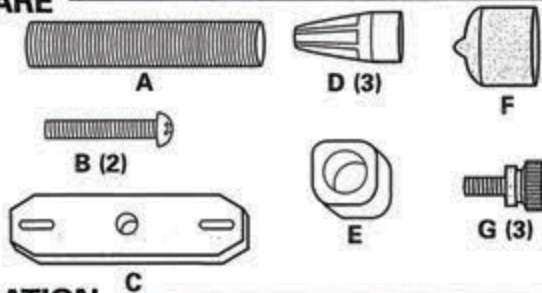
MODELS: S26S, S26V, S27S, S27V

PLEASE READ ALL INSTRUCTIONS CAREFULLY BEFORE INSTALLING FIXTURES.

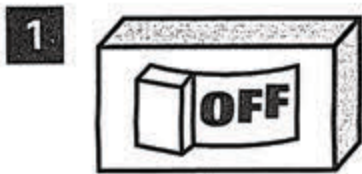
BEFORE INSTALLATION

1. Please check to see that your fixture was not damaged during shipment, and that you received all the hardware needed for installation. While we strive for perfection, accidents do happen. If you have a problem or are missing any parts, please call us at 1-800-321-2132 immediately.
2. **CAUTION: Disconnect main power at the breaker box before beginning installation. Do not turn power off at the wall switch only. Failure to properly disconnect the main power supply may result in serious injury.**
3. **CAUTION: Install the appropriate size lamp in your Stone fixture. Do not exceed the manufacturer's maximum wattage restrictions**
4. **SPECIAL NOTE: For easier installation, it is recommended that two (2) people be used when making the electrical connections and mounting the fixture.**

HARDWARE

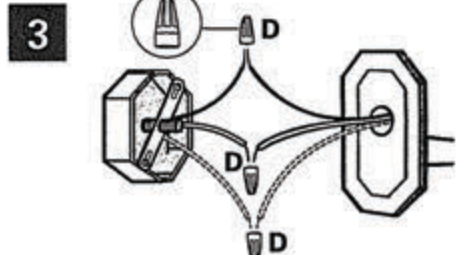
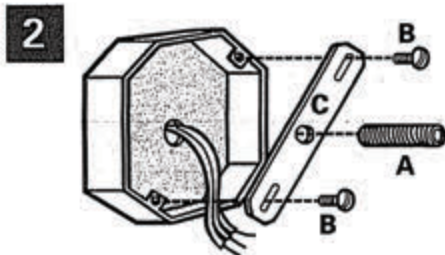


INSTALLATION

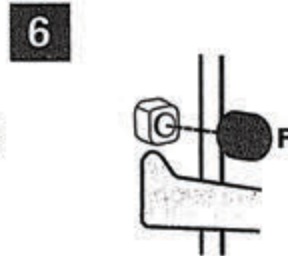
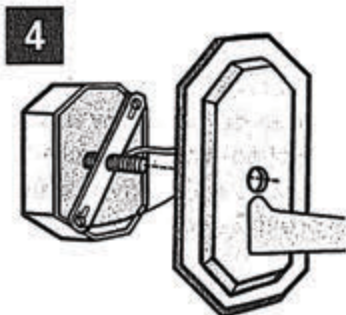
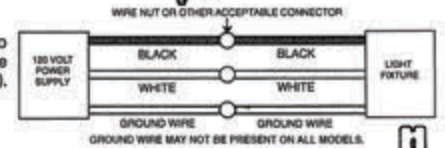


Disconnect main power supply at the breaker box. **DO NOT** turn power off at the wall switch only.

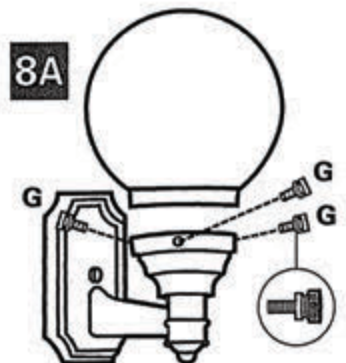
CAUTION: FAILURE TO DISCONNECT MAIN ELECTRICAL POWER MAY RESULT IN SERIOUS INJURY.



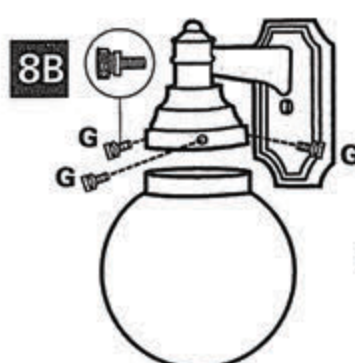
Be sure to attach black to black and white to white (see diagram).



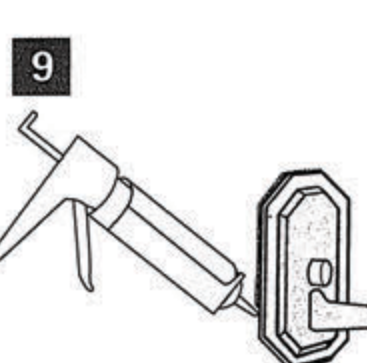
INSERT LAMP INTO SOCKET
Be sure to use lamp with wattage no greater than specified for this fixture.



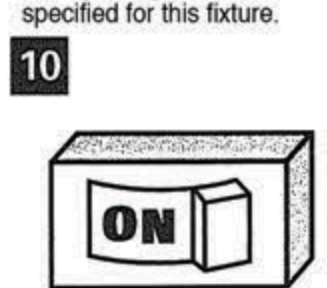
CAUTION: Models S26S & CPS26S Wall Mounts must be installed in a UPLIGHT position only.



CAUTION: Models S26V & CPS26V Inverted Wall Mounts must be installed in a DOWNLIGHT position only.



Apply silicone caulk completely around the fixture backplate for a watertight seal.



TURN ON MAIN POWER



This fixture may have an integral photo sensor that turns the fixture off during the day and on at night. The photo sensor is not adjustable. The fixture could possibly cycle on and off due to light reflected from near by surfaces into the photo sensor. If cycling occurs, remove the photo sensor nut and install the swivel hood and base.

The hood and base is adjustable. Hood can be rotated and base can be cut along dotted line to reduce overall length. Check

Customer Service **1-877-870-9283**
www.wavelighting.com

