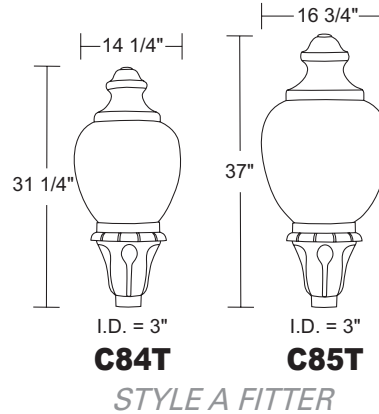
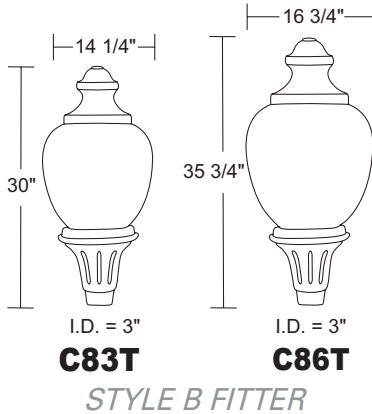


- LED & HID Models
- 0-10V Dimming LED Options
- LED Models Are DLC Listed

C83TLA-
Style B Fitter

C85TC-
Style A Fitter



Acorns have 8" Neck
See Page 81 for Acorn Replacements & Measurements

LED
COMMERCIAL
system

Commercial LED standard in 4000K,
Type V, other options available upon request.
Integral surge suppression.
5 year warranty on LED components.

AFB
Plastic Finial Topper
supplied with 1/4-20 x 1 1/4"
Stainless Steel Hex Screw



GUIDE: C84TC-L40C-BK-T3

ITEM #	ACORN	LIGHT SOURCE	COLOR	OPTIONS
C83T -Style B	POLYCARBONATE	LED LIGHT SOURCE	BK -Black	AFB -Acorn Finial Topper
C84T -Style A	C -Clear Textured	120-277v DEDICATED LED	BZ -Bronze	D - 0-10V Dimming (Dedicated LED Only)
C85T -Style A	ACRYLIC	L40 -40W 4000lm	WH -White	T3 -Type III Distribution (Dedicated LED Only, T3 is Special Order, Type V Standard)
C86T -Style B	LA -Opal Textured	L60 -60W 6000lm		
	CA -Clear Textured	E39 CORN COB LED 100-277v		
	FA -Frost Textured	LC5 -54W 7290lm, Type 5 ☆		
		LC3 -40W 5600lm, Type 3 ☆		
		LCD -54W 5900lm, Dark Sky ☆		
		CCT		
		C-4K (standard)		
		W-3K (special order)		
		B-5K (special order)		
		CCT		
		C-4K (standard)		



GUIDE: C84TC-150MH-BK-HS



ITEM #	ACORN	LIGHT SOURCE	COLOR	OPTIONS
C83T -Style B	POLYCARBONATE	INCANDESCENT	BK -Black	AFB -Acorn Finial Topper
C84T -Style A	C -Clear Textured	(1) 200W MAX Medium Base	BZ -Bronze	DSR -Dark Sky Reflector
C85T -Style A	ACRYLIC	HPF MAGNETIC BALLAST	WH -White	HS -House Shield
C86T -Style B	LA -Opal Textured	100MH -(1) 100W Metal Halide ☆		MG -E39 Mogul Socket
	CA -Clear Textured	150MH -(1) 150W Metal Halide ☆		MT208 -208v Multi-Tap
	FA -Frost Textured	100H -(1) 100W HPS ☆		MT240 -240v Multi-Tap
		150H -(1) 150W HPS ☆		MT277 -277v Multi-Tap
				R3 -Type III Refractor
				R5 -Type V Refractor (See Page 70 for Light Distribution)

4Kv medium base socket standard in
HID, Mogul Upon Request.
120V HPF integral ballast standard in
HID models, specify voltage for multi-tap.

☆ Lamp Included
Posts sold separately.

Not all options can be used in combination. Consult factory for details.

SPEC SHEETS AND IES FILES AVAILABLE ONLINE. Specifications subject to change without notice. LED option information on page 6.