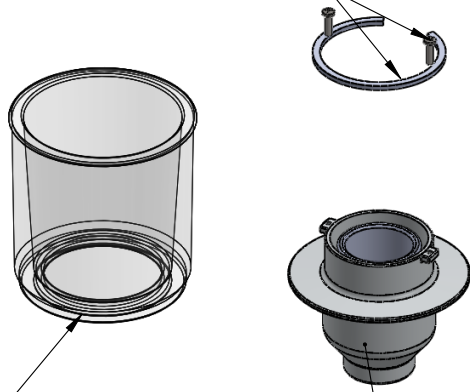




REFRACTOR ASSEMBLY AS SHIPPED

8-32 SCREWS LOCKING SCREWS
TWO PER ASSEMBLY
PLASTIC RING - ONE PER ASSEMBLY
SHIPPED UNASSEMBLED IN POLYBAG

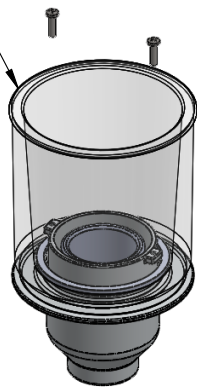


TYPE 5
GLASS REFRACTOR
SHIPPED UNASSEMBLED

SOCKET ASSEMBLY
INSTALLED IN FIXTURE

REFRACTOR INSTALLATION STEP 1

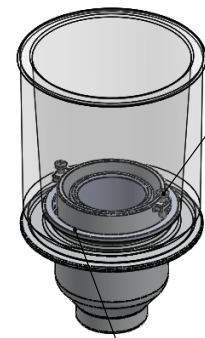
SLIP REFRACTOR AND PLASTIC RING ONTO
SOCKET ASSEMBLY PRIOR TO INSTALLING
LOCKING SCREWS



REFRACTOR INSTALLATION STEP 2

INSTALL AND TIGHTEN 8-32 SCREWS UNTIL
REFRACTOR IS SECURED IN PLACE ON THE
SOCKET ASSEMBLY. SCREWS SHOULD BE TIGHTENED
ONTO PLASTIC RING. DO NOT TIGHTEN ONTO GLASS

CAUTION DO NOT OVERTIGHTEN. DO NOT USE
POWER EQUIPMENT TO TIGHTEN SCREW



PLASTIC RING