

ASSEMBLY AND INSTALLATION INSTRUCTIONS

Assembly and Installation Step:

TOOLS REQUIRE:

- Phillips (Star) Screwdriver
- Adjustable wrench

1. Anchor bolt set installation :

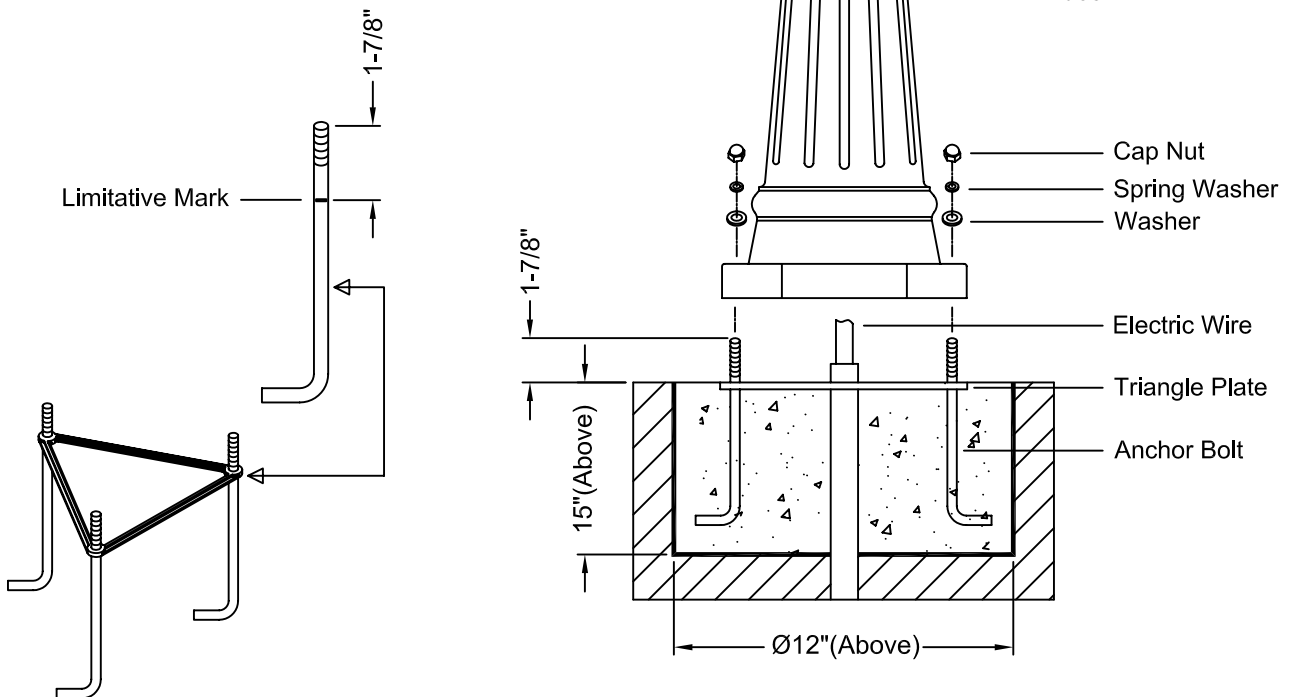
- a. Dig a 15" deep hole, 12" diameter where you wish your lantern to be installed.
- b. Set the 3 Anchor Bolts into the 3 holes of the 1 Triangle Plate and feed the Electric Wire through the center of the Triangle Plate.
- c. Pour concrete into the hole up to the level of the ground and sink the anchor set into the concrete. Make sure the top surface of the Triangle Plate is level to the ground surface, and the Anchor Bolts protrude above the 1 Triangle Plate surface by 1-7/8".

NOTE: Make sure the concrete is solid and dry before installing the lamppost.

(Usually this takes up to 24 hours.)

2. Attach the Connector to the Base, and fasten with 3 Set Screw.

3. Set the entire post and lantern assembly on to the Anchor Bolts. and secure the lamppost using the 3 Washers and the 3 Cap Nuts.



Customer Service 1-877-870-9283

www.wavelighting.com

WAVE
LIGHTING