

**INSTRUCTION FOR 50W METAL HALIDE MODELS  
109, 110, 115, 116, 609 AND 610**

**PLEASE READ THE INSTRUCTION SHEET THOROUGHLY BEFORE PROCEEDING WITH  
THE INSTALLATION OF THIS LIGHTING FIXTURE.**

**INSTALLATION INSTRUCTIONS**

**CAUTION:** TURN POWER OFF AT MAIN PANEL BEFORE INSTALLING FIXTURE.

**1. ASSEMBLY OF CANOPY**

Remove canopy from models 115 and 116 by unscrewing the four retaining nuts. All other models, loosen latch and remove from hinge.

**MODELS 109, 110, 115, 116:** Insert finial screw through the top of the canopy. Place the cap over the screw and tighten with the finial. **DETAIL A**

**MODELS 609, 610:** Slide 1 3/4" round plate (062) onto 3" nipple (106) and secure with nut (032) **DO NOT OVERTIGHTEN**. Thread 2nd nut (023) onto nipple (approx. 1/2") and insert through canopy. Screw on finial (096) and hand tighten. **DETAIL B**

**MODELS 409, 410:** Thread nipple into finial. Insert nipple through saucer and cup and secure canopy with nut. **DETAIL C**

**2. LOCATE BULB**

Remove the corrugated insert used to secure the bulb during shipment. **DO NOT** remove the bulb from its wrapper at this time.

**3. CONNECT FIXTURE TO POWER SUPPLY**

**BEFORE PROCEEDING** - Check to ensure power has been turned off at main panel. Using the wire connectors furnished, splice the Black wire on fixture to Black supply wire. **NOTE:** Fixtures with a Universal Voltage Ballast can be used on the following input voltages: 120, 208, 240, & 277 VAC. Label on fixture will indicate permissible input voltages. Splice the White wire on fixture to the White supply wire. Connect Green ground wire to supply ground. Recheck all connections for loose or exposed wires and re-splice if necessary. **NOTE:** These wiring instructions apply only to direct connection from the power supply to the lighting fixture. For installations involving a photo-cell, refer to manufactures' instructions included with the photo-cell.

**4. POSITION FIXTURE ON POST**

Place fixture on top of post and press down into position. Insert set screw (030) in base of fixture and tighten.

**5. INSTALL BULB**

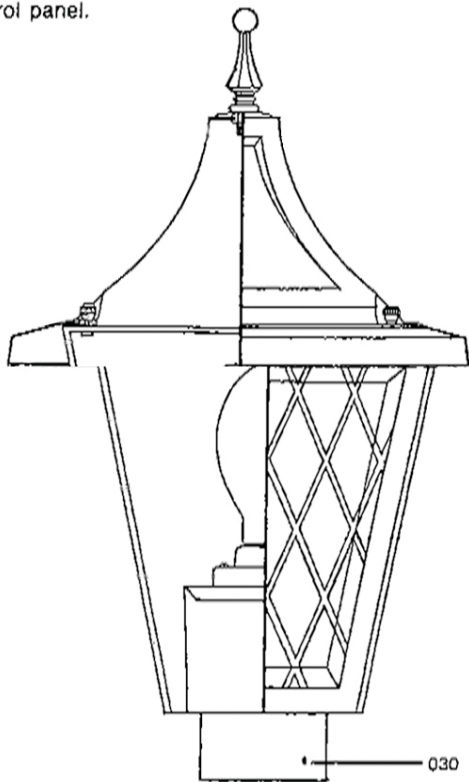
**NOTE: READ CAUTION ON BULB WRAPPER BEFORE INSTALLING IN FIXTURE.** Remove bulb from wrapper and screw into lamp socket using extreme caution not to drop or damage it.

**6. REPLACE CANOPY**

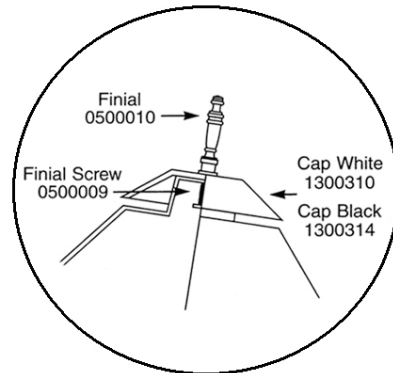
Secure canopy on models 115 and 116 with the four knurled knobs (004). Finger tight pressure is adequate. Secure the canopy on all other models with hinge and latch.

**7. ENERGIZING THE FIXTURE**

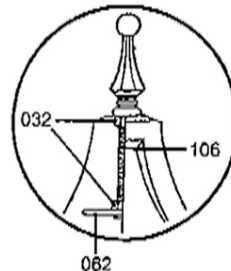
After all the preceding steps have been carefully followed and completed, the power can be turned on at the main control panel.



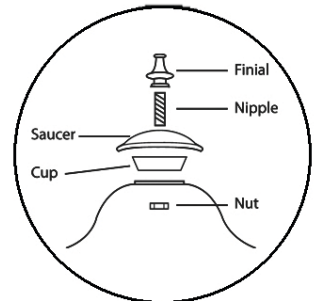
**DETAIL "A"**



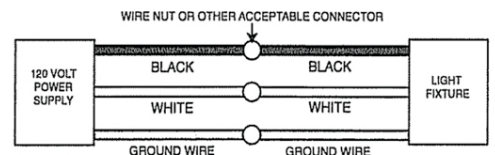
**DETAIL "B"**



**DETAIL "C"**



Be sure to attach black to black, white to white, and ground to ground (see diagram).



**Customer Service 1-877-870-9283**  
[www.wavelighting.com](http://www.wavelighting.com)

