

**INSTRUCTION FOR MODELS 1135HPS, 1150HPS, 1170HPS
HIGH PRESSURE SODIUM LIGHTING FIXTURES**

**PLEASE READ THE INSTRUCTION SHEET THOROUGHLY BEFORE PROCEEDING WITH
THE INSTALLATION OF THIS LIGHTING FIXTURE.**

INSTALLATION INSTRUCTIONS

CAUTION: TURN POWER OFF AT MAIN PANEL BEFORE INSTALLING FIXTURE.

1. ASSEMBLY OF CANOPY

Remove canopy (317) from fixture by unscrewing the 4 retaining nuts (004) located at each corner.

Model 1135 — Locate parts as illustrated in DETAIL "A". Thread nut (032) onto nipple (021) and insert through canopy. Screw on the finial (096) and hand tighten.

Model 1150 & 1170 — Locate parts as illustrated in DETAIL "B". Slide 1¼" dia. round plate (062) onto 3" nipple (106) and secure with nut (032) — **DO NOT OVERTIGHTEN**. Thread 2nd nut (032) onto nipple (approx. ½") and insert through canopy. Screw on finial (096) and hand tighten.

Set canopy assembly aside until later.

2. LOCATE BULB

Remove the corrugated insert used to secure the bulb during shipment. **DO NOT** remove the bulb from its wrapper at this time.

3. CONNECT FIXTURE TO POWER SUPPLY

BEFORE PROCEEDING ... Check to assure power has been turned off at main panel. Using the wire connectors furnished, splice the Black wire on fixture (marked 120V) to Black supply wire. Splice the White wire on fixture to the White supply wire. Connect Green ground wire to supply ground. Recheck all connections for loose or exposed wires and re-splice if necessary.

NOTE: These wiring instructions apply only to direct connection from the power supply to the lighting fixture. For installations involving a photo-cell, refer to manufacturers' instructions included with the photo-cell.

4. POSITION FIXTURE ON POST

Place fixture on top of post and press down into position. Insert set screw (030) in base of fixture and tighten.

5. INSTALL BULB

NOTE: READ CAUTION ON BULB WRAPPER BEFORE INSTALLING IN FIXTURE. Remove bulb from wrapper and screw into lamp socket using extreme caution not to drop or damage it.

6. REPLACE CANOPY

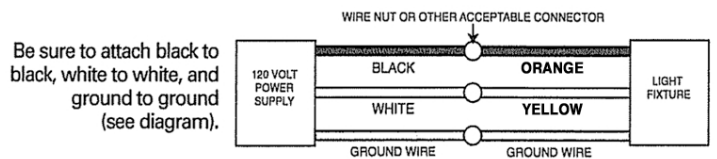
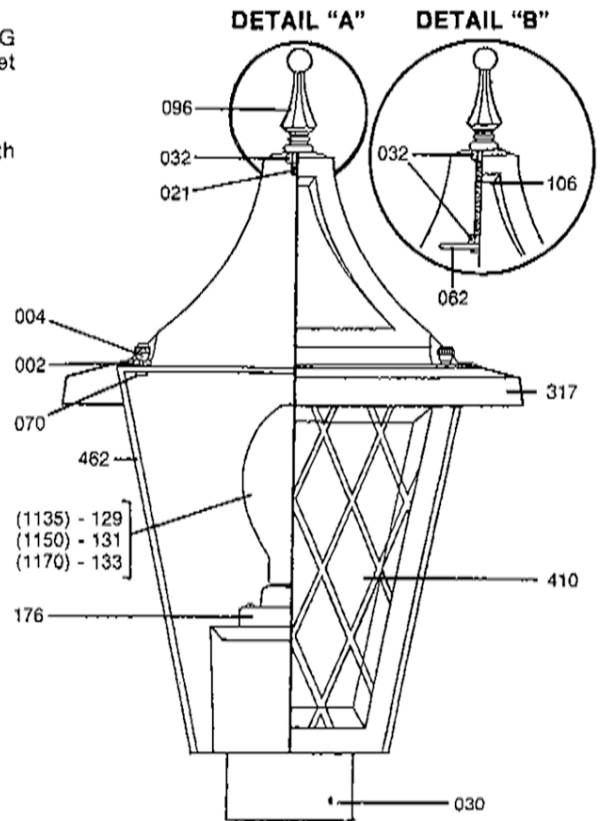
Replace the canopy assembly on the top of the fixture and secure with the 4 knurled knobs (004). Finger tight pressure is adequate.

7. ENERGIZING THE FIXTURE

After all the preceding steps have been carefully followed and completed, the power can be turned on at the main control panel. The warmup period before which the high pressure sodium lamp reaches full brightness is about 3-4 minutes.

**GENERAL INFORMATION ABOUT
HIGH PRESSURE SODIUM**

- The "warmup" period for the HPS lamp to reach full intensity is approximately 3-4 minutes. Should there be momentary interruption of power, the restrike time is about one minute.
- The HPS bulb **must** be used only in conjunction with the ballast which is wired into the ballast compartment. **IMPORTANT: AN INCANDESCENT LIGHT BULB WILL NOT WORK WITH THIS FIXTURE.**
- When an HPS lamp nears the end of its life, the lamp will start, warmup to full brightness, and then extinguish. This sequence will occur regularly. This symptom is the normal end of life failure of high pressure sodium lamps. **NOTE:** If this condition exists with a new installation, the defect may lie not in the lamp, but in a photo-cell or similar accessory.
- When the lamp fails, the ballast is subjected to its starting sequence as if the lamp were still good. This can have an adverse effect on the ballast life. Therefore, replace the lamp as quickly as possible after finding the failure.
- All bulb replacements should be handled through your local dealer. Normal bulb life is 24,000 hours. Replace with LU35 MED (MOD. 1135), LU50 MED (MOD. 1150), or LU70 MED (MOD. 1170).



Customer Service 1-877-870-9283
www.wavelighting.com

