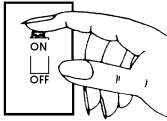


INSTALLATION INSTRUCTIONS

READ IMPORTANT SAFETY TIPS BEFORE PROCEEDING WITH INSTALLATION

SAFETY TIPS

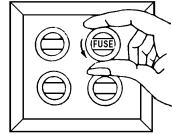


Turn fixture off! (Place wall switch in off position, if fixture has built-in switch or chain pull, switch or pull chain so fixture is off.)



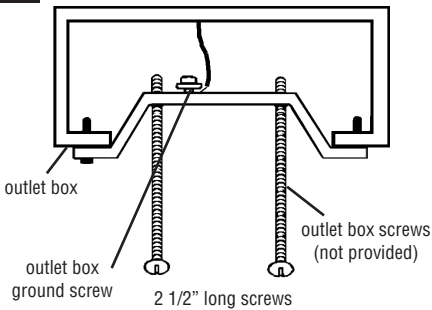
Next - go to the main fuse box. If your fuse box has an ON/OFF switch, simply place main power switch in OFF position.

OR



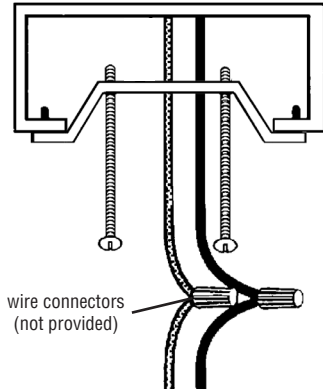
Screw-in type fuses - unscrew the fuse or fuses that control the power to the fixture or room you are working in.

1



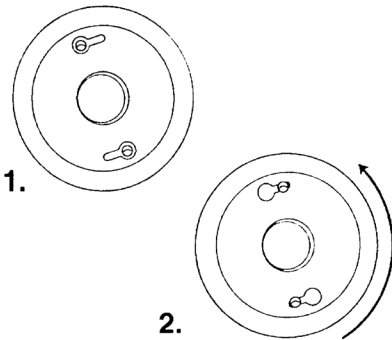
Insert outlet box screws (not provided) through oval slots in cross bar and attach to outlet box. Screw 2 1/2" long screws into the outer most threaded holes.

2



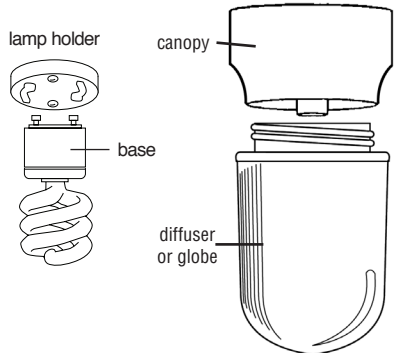
CONNECT THE WIRES. NOTE: Attach black fixture wire to black supply wire, white fixture wire to white supply wire. Do not mix them up. Use approved wire connectors (not provided).

3

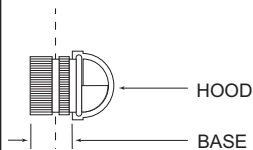


INSTALL canopy to ceiling. Push fixture wire into outlet box. Align head of mounting screws with large end of key hole slots, push canopy towards ceiling. Rotate canopy counter-clockwise and tighten screws.

4



Align and insert the round ended pins on the bottom of the self ballasted lamp into the circular opening in the lamp holder key hole slots. Grasp the base and rotate clockwise. Use lamp type specified on the fixture. Thread diffuser into canopy.



This fixture has an integral photo sensor that turns the fixture off during the day and on at night. The photo sensor is not adjustable. The fixture could possibly cycle on and off due to light reflected from nearby surfaces into the photo sensor. If cycling occurs, remove the photo sensor nut and install the swivel hood and base.

The hood and base are adjustable. The hood can be rotated and the base can be cut along the dotted line to reduce overall length. Check operation before cutting the base.



Clean only with mild soap and water. Avoid spraying with Cleansers, Insecticides, and Pesticides that are petroleum based hydrocarbon products. These will degrade Luminaire.

If lamp is marked  it contains mercury. Follow applicable disposal laws.
See www.lamprecycle.org

BALLAST REPLACEMENT INSTRUCTIONS

Product contains an integrated Lamp/Ballast combination. To remove, grasp plastic area on each side of bulb area and rotate counterclockwise. Replace with MAX 18W SBCFL(GU-24) that is marked with the UL and C, US Logo. Use SBCFL marked - Not for use where directly exposed to water. Do not use SBCFL marked - Not for use in totally enclosed luminaire. Use MAX 18W SBCFL with 2700k color designation and with a minimum life of 10,000 or more hours.