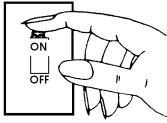


# INSTALLATION INSTRUCTIONS

READ IMPORTANT SAFETY TIPS BEFORE PROCEEDING WITH INSTALLATION

## SAFETY TIPS

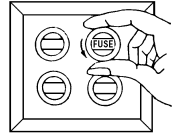


Turn fixture off! (Place wall switch in off position, if fixture has built-in switch or chain pull, switch or pull chain so fixture is off.)



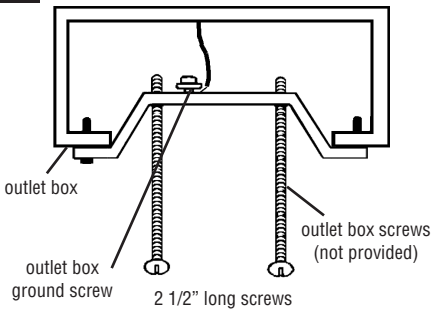
Next - go to the main fuse box. If your fuse box has an ON/OFF switch, simply place main power switch in OFF position.

OR



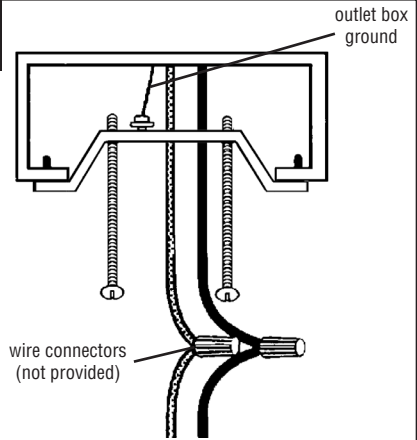
Screw-in type fuses - unscrew the fuse or fuses that control the power to the fixture or room you are working in.

1



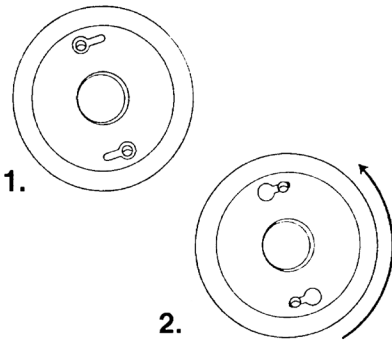
Screw green ground screw into threaded hole on cross bar between dimples. Do not tighten. Form a loop in ground wire from outlet box, place loop under head of ground screw and tighten. Insert outlet box screws (not provided) through oval slots in cross bar and attach to outlet box. Screw 2 1/2" long screws into the outer most threaded holes.

2



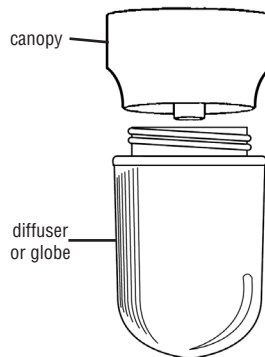
CONNECT THE WIRES. NOTE: Attach black fixture wire to black supply wire, white fixture wire to white supply wire. Do not mix them up. Use approved wire connectors (not provided).

3



INSTALL canopy to ceiling. Push fixture wire into outlet box. Align head of mounting screws with large end of key hole slots, push canopy towards ceiling. Rotate canopy counter-clockwise and tighten screws.

4



Insert light bulb into socket. Be sure to use bulb with wattage no greater than specified for this fixture. Thread diffuser into canopy. WARNING: RISK OF FIRE. MOST DWELLINGS BUILT BEFORE 1985 HAVE SUPPLY WIRE RATED 60°C. CONSULT A QUALIFIED ELECTRICIAN BEFORE INSTALLING.



CLEAN ONLY WITH MILD SOAP AND WATER. AVOID SPRAYING WITH CLEANSERS, INSECTICIDES, AND PESTICIDES THAT ARE PETROLEUM BASED HYDROCARBON PRODUCTS. THESE WILL DEGRADE LUMINAIRE.

ISO89 Rev. B