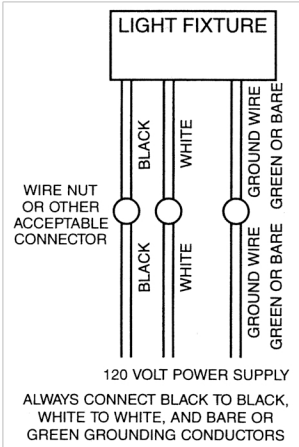
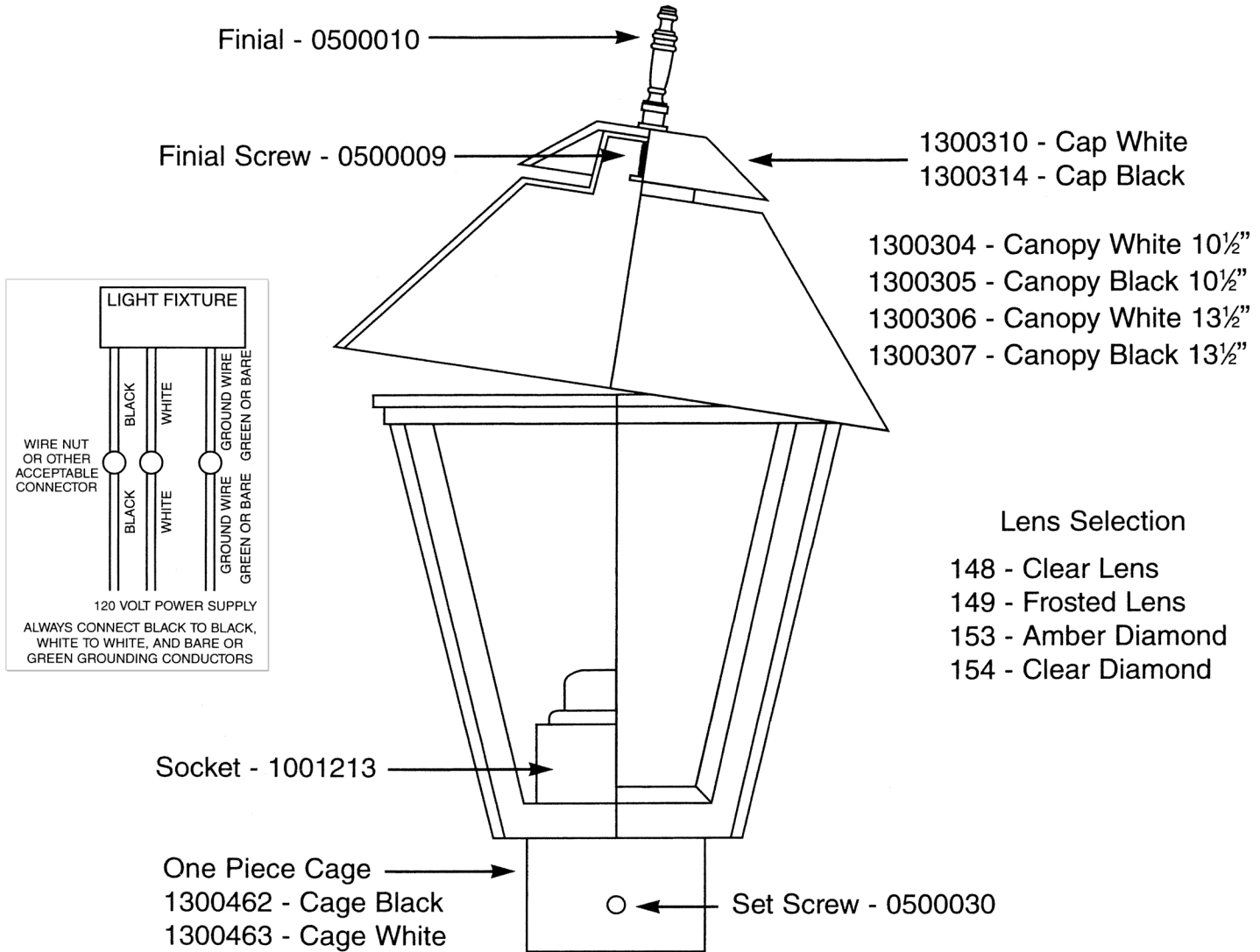


Colonial Post Light Instructions



Lens Selection

- 148 - Clear Lens
- 149 - Frosted Lens
- 153 - Amber Diamond
- 154 - Clear Diamond

1. Open latch and hinge back canopy. Take the cap and the hardware bag from the box. Insert the finial screw (0500009) through the top of the canopy, place the cap over the screw and tighten the assembly with the finial (0500010).
2. Connect the fixture wires to the power supply as show in the diagram.
3. Place the lantern on top of the post and press into position. When in position, tighten the set screw (0500030). **DO NOT OVER TIGHTEN.**
4. Carefully install the recommended maximum wattage bulb into the lantern socket.
5. Close the canopy assembly on to of the lantern making sure the latch is secure.

GENERAL INFORMATION ABOUT HIGH PRESSURE SODIUM

- The "warmup" period for the HPS lamp to reach full intensity is approximately 3-4 minutes. Should there be momentary interruption of power, the restrike time is about one minute.
- The HPS bulb must be used only in conjunction with the ballast which is wired into the ballast compartment. **IMPORTANT: AN INCANDESCENT LIGHT BULB WILL NOT WORK WITH THIS FIXTURE.**
- When an HPS lamp nears the end of its life, the lamp will start, warmup to full brightness, and then extinguish. this sequence will occur regularly. This symptom is the normal end of life failure of high pressure sodium lamps.
NOTE: If this condition exists with a new installation, the defect may lie not in the lamp, but in a photo-cell or similar accessory.
- When the lamp fails, the ballast is subjected to its starting sequence as if the lamp were still good. This can have an adverse effect on the ballast life. Therefore, replace the lamp as quickly as possible after finding the failure.
- All bulb replacements should be handled through your local dealer. Normal bulb life is 24,000 hours. Replace with LU35 MED (MOD. 1135), LU50 MED (MOD. 1150), or LU70 MED (MOD. 1170).

Customer Service **1-877-870-9283**

www.wavelighting.com