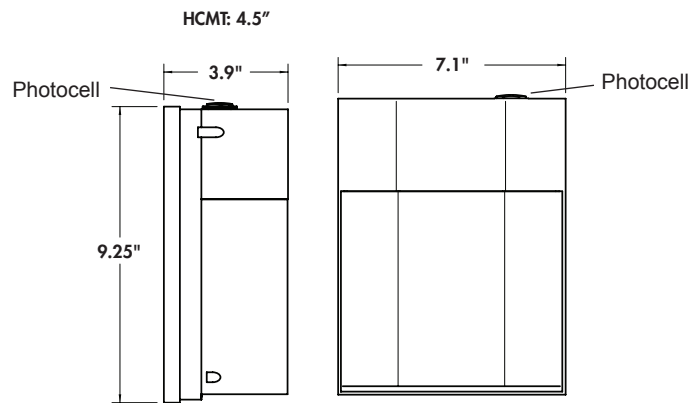


# OUTDOOR WALL FIXTURE 266FM



Wave Lighting's 266FM adds a modern look to any outdoor space. This fixture is ETL Listed and IP65 rated and can be used to comply with 2016 Title 24 Part 6 High Efficacy LED Light Source Requirements. Wave Lighting's 266FM is designed for wall applications and mounting hardware is included. Photocell included.



## SPECIFICATIONS

- Bronze Housing
- Mounting Hardware Included
- Frosted Polycarbonate Diffuser
- Photocell Included
- Wall Mount Only
- Minimum Starting Temp -20°F
- Hose Down - IP65 Rated
- ETL Listed for Wet Locations

## LED SOURCE OPTIONS

### LIGHTWAVE LED - LR

- 120V, 50/60 Hz
- AC Driver-On-Board Array
- Estimated 50,000 Hrs L<sub>70</sub>
- Surge Supression
- Dimmable (see compatible dimmer list)
- 4000K CCT 80CRI
- 5 Year Warranty
- Energy Star

## GUIDE: 266FMF-LR12C-BZ

## CALL FOR PHOTOMETRIC INFORMATION

ITEM #	DIFFUSER/HOUSING	LIGHT SOURCE	COLOR
266FM	POLYCARBONATE F-Frosted	LED LIGHT SOURCE	
		LIGHTWAVE LED LR12-13W 1000lm	CCT C-4K
			BZ-Bronze

