

ANCHOR BOLT TEMPLATE

FOR

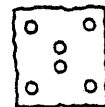
CAT. NO. 2405

HEAVY-DUTY FLANGE BASE

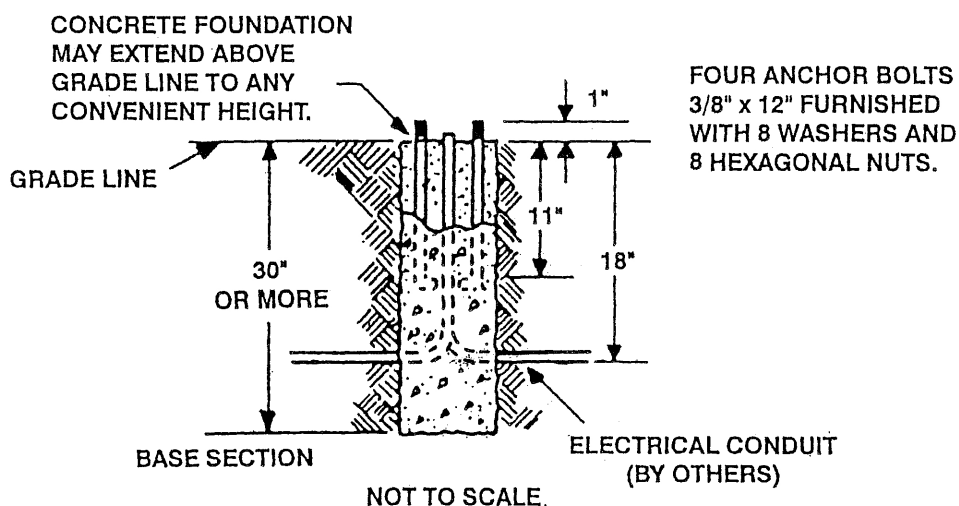
9" Dia.
Bolt Circle

NOTE: WE RECOMMEND THAT YOU CHECK YOUR LOCAL WIRING CODES AND CONSULT AN ELECTRICAL CONTRACTOR BEFORE INSTALLING POST

ALL CONDUITS OR U F CABLE MUST LIE WITHIN A 2" CIRCLE. CENTERED BETWEEN ANCHOR BOLTS.



PLAN VIEW



IMPORTANT: DUE TO VARIATIONS IN PRINTING PROCESSES YOU MUST VERIFY THAT MEASUREMENTS ON SHEET ARE ACCURATE BEFORE USING.