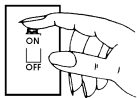


# INSTALLATION INSTRUCTIONS

READ IMPORTANT SAFETY TIPS BEFORE PROCEEDING WITH INSTALLATION

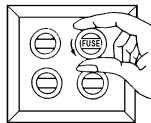
## SAFETY TIPS



Turn fixture off! (Place wall switch in off position, if fixture has built-in switch or chain pull, switch or pull chain so fixture is off.)

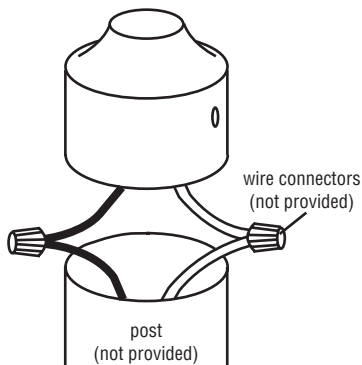


Next - go to the main fuse box. If your fuse box has an ON/OFF switch, simply place main power switch in OFF position.



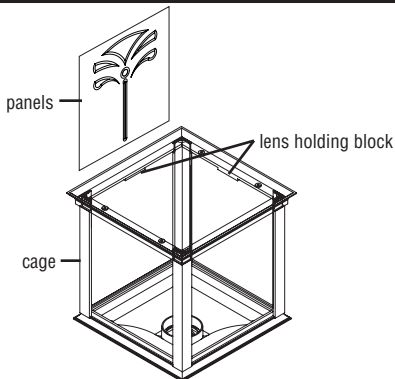
Screw-in type fuses - unscrew the fuse or fuses that control the power to the fixture or room you are working in.

### 1



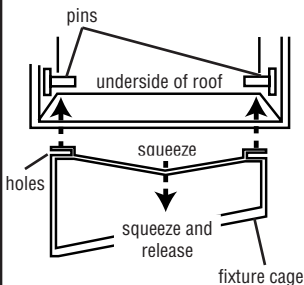
CONNECT THE WIRES. NOTE: Attach black fixture wire to black supply wire, white fixture wire to white supply wire. Do not mix them up. Use wire connectors (not provided).

### 2



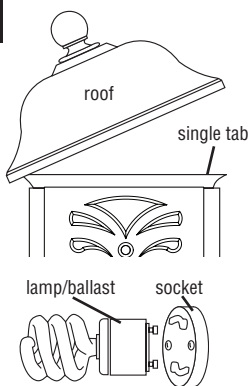
INSTALL PLASTIC PANELS, beginning with the panel under the roof hinge area, by sliding panel down cage in slot on inside of cage. Make sure panel is all the way down seated into cage. Tilt panel until top is resting next to lens holding block. Lift lens holding block up away from lens edge and then snap lens into place behind lens holding block.

### 3



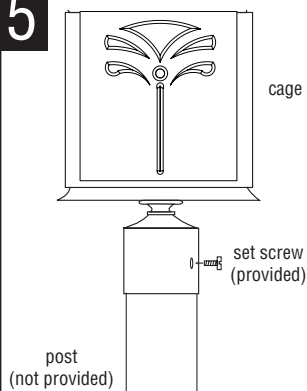
ATTACH FIXTURE ROOF TO FIXTURE CAGE. Squeeze cage as shown. Position holes on side of cage over corresponding pins on underside of roof. Release cage - pins will snap into position.

### 4



INSTALL integrated lamp/ballast. Use integrated lamp/ballast as specified on fixture. Grasp the plastic base, insert the pins into the socket and rotate clockwise until secure.

### 5



POSITION THE FIXTURE over the post as shown. For permanent mounting, fasten with set screw at hole in post collar by drilling hole at same location through post and securing with screw.



Clean only with mild soap and water. Avoid spraying with Cleansers, Insecticides, and Pesticides that a petroleum based hydrocarbon products. These will degrade Luminaire.

IFR201GU Rev. B