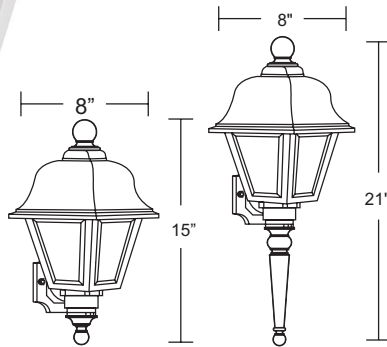


OUTDOOR WALL FIXTURE 220S



Long & Short Tail Included

EXTENDS:
9"
H/CTR:
11 7/8"
BACKPLATE:
4 3/4" x 4 3/4"



Wave Lighting's 220S adds a welcoming look to any outdoor space. This fixture can be used to comply with 2016 Title 24 Part 6 High Efficacy LED Light Source Requirements. Short and long tail included. Wave Lighting's 220S is designed for wall applications and mounting hardware is included. Options include photocell.

LED SOURCE OPTIONS

LIGHTWAVE LED - LR/LT

- 120V, 50/60 Hz
- AC Driver-On-Board Array
- Estimated 50,000 Hrs L₇₀
- Low Flicker (LT models)
- Surge Supression
- Dimmable (see compatible dimmer list)
- High Efficacy LED Light Source
- 3000K or 4000K CCT; 80 or 90CRI
- 5 Year Warranty
- Energy Star

E26 REPLACEABLE LED - LE26

- 120V, 50/60Hz
- "Screw-In" Medium Base A19/E26 LED Lamp
- Estimated 15,000 Hrs L₇₀
- Low Flicker (3K models)
- Dimmable (see compatible dimmer list)
- 3000K CCT 90CRI or 4000K CCT 80CRI
- 3 Year Warranty
- Energy Star



SPECIFICATIONS

- Black or White
- Mounting Hardware Included
- Clear or Opal Acrylic Diffuser
- Wall Mount Only
- Minimum Starting Temp -20°F
- UL Listed for Wet Locations

GUIDE: 220SC-LR12W-WH

CALL FOR PHOTOMETRIC INFORMATION

ITEM #	LENS	LIGHT SOURCE	COLOR	OPTION	
220S	ACRYLIC C -Clear Beveled L -Opal Beveled	INCANDESCENT (1) 60W MAX Medium Base	BK -Black WH -White	PC -Photocell	
		LED LIGHT SOURCE			
		LIGHTWAVE LED LR12-13W 1000lm 80CRI LT12-12W 1040lm 90CRI			CCT C -4K W -3K
		E26 REPLACEABLE LED LE26-10W 800lm			C-4K W-3K

★ Lamp Included Energy Star Qualified Product

REFER TO CATALOG FOR OPTION SPECIFICATIONS - Specifications subject to change without notice - FIXTURE SPEC 1/19