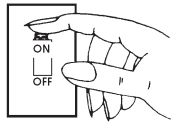


INSTALLATION INSTRUCTIONS

READ IMPORTANT SAFETY TIPS BEFORE PROCEEDING WITH INSTALLATION

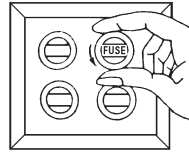
SAFETY TIPS



Turn fixture off! (Place wall switch in off position, if fixture has built-in switch or chain pull, switch or pull chain so fixture is off.)

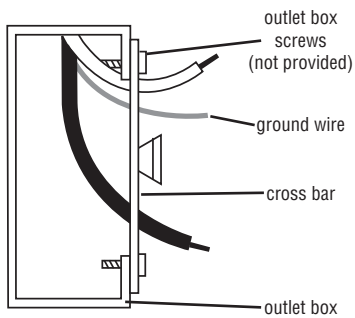


Next - go to the main fuse box. If your fuse box has an ON/OFF switch, simply place main power switch in OFF position.



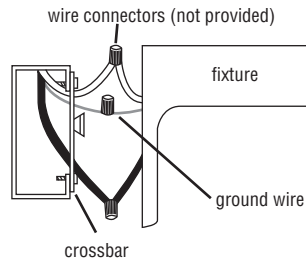
Screw-in type fuses - unscrew the fuse or fuses that control the power to the fixture or room you are working in.

1



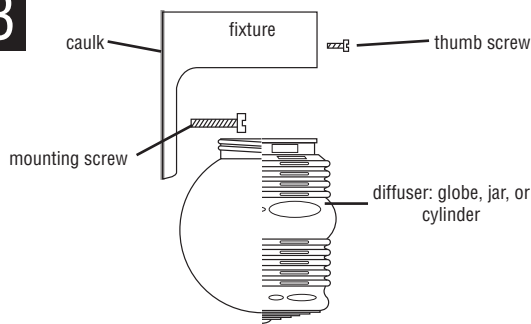
ATTACH the cross bar to the outlet box with outlet box screws (not provided).

2



CONNECT THE WIRES. NOTE: Attach black fixture wire to black supply wire, white fixture wire to white supply wire. Do not mix them up. Use wire connectors (not provided). Connect ground wire to ground wire from outlet box. NEVER CONNECT GROUND WIRE TO BLACK OR WHITE POWER SUPPLY WIRES.

3



POSITION THE FIXTURE over the outlet box and secure in place with the mounting screw (provided). Screw bulb into socket. If diffuser neck is fitter type insert diffuser into neck of globe. If diffuser neck is threaded type, screw diffuser into fixture. Thumb screw is not required. **NOTE:** Fixture MUST be caulked with an acrylic caulk where the base of the fixture meets the mounting surface. This provides a water tight seal when the fixture is installed.



Clean only with mild soap and water. Avoid spraying with Cleansers, Insecticides, and Pesticides that a petroleum based hydrocarbon products. These will degrade Luminaire.

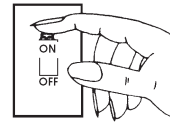
CAUTION:

Do not turn on without diffuser installed. Do not touch LEDs or circuit board. LED optics could be damaged.

INSTALLATION INSTRUCTIONS

READ IMPORTANT SAFETY TIPS BEFORE PROCEEDING WITH INSTALLATION

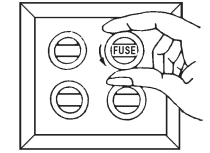
SAFETY TIPS



Turn fixture off! (Place wall switch in off position, if fixture has built-in switch or chain pull, switch or pull chain so fixture is off.)

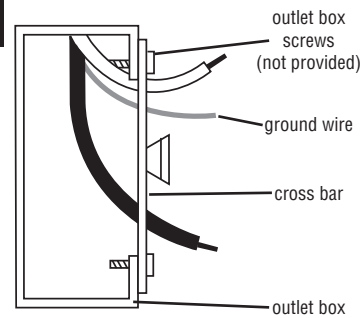


Next - go to the main fuse box. If your fuse box has an ON/OFF switch, simply place main power switch in OFF position.



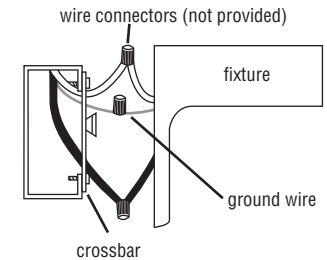
Screw-in type fuses - unscrew the fuse or fuses that control the power to the fixture or room you are working in.

1



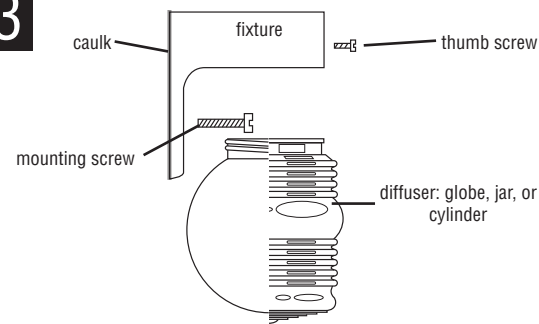
ATTACH the cross bar to the outlet box with outlet box screws (not provided).

2



CONNECT THE WIRES. NOTE: Attach black fixture wire to black supply wire, white fixture wire to white supply wire. Do not mix them up. Use wire connectors (not provided). Connect ground wire to ground wire from outlet box. NEVER CONNECT GROUND WIRE TO BLACK OR WHITE POWER SUPPLY WIRES.

3



POSITION THE FIXTURE over the outlet box and secure in place with the mounting screw (provided). Screw bulb into socket. If diffuser neck is fitter type insert diffuser into neck of globe. If diffuser neck is threaded type, screw diffuser into fixture. Thumb screw is not required. **NOTE:** Fixture MUST be caulked with an acrylic caulk where the base of the fixture meets the mounting surface. This provides a water tight seal when the fixture is installed.



Clean only with mild soap and water. Avoid spraying with Cleansers, Insecticides, and Pesticides that a petroleum based hydrocarbon products. These will degrade Luminaire.

CAUTION:

Do not turn on without diffuser installed. Do not touch LEDs or circuit board. LED optics could be damaged.