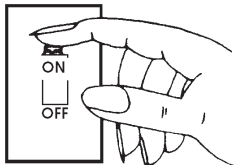


# INSTALLATION INSTRUCTIONS

READ IMPORTANT SAFETY TIPS BEFORE PROCEEDING WITH INSTALLATION

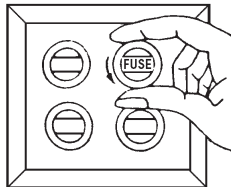
## SAFETY TIPS



Turn fixture off! (Place wall switch in off position, if fixture has built-in switch or chain pull, switch or pull chain so fixture is off.)



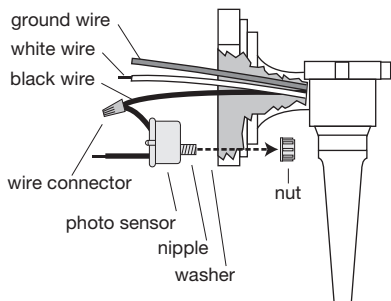
Next - go to the main fuse box. If your fuse box has an ON/OFF switch, simply place main power switch in OFF position



Screw-in type fuses - unscrew the fuse or fuses that control the power to the fixture or room you are working in.

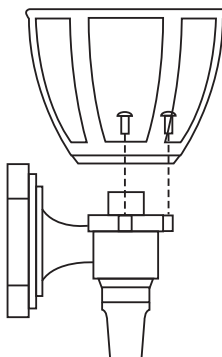
1

Omit this step if unit you purchased does not include light sensor switch.



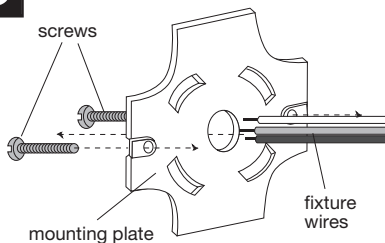
PLACE RUBBER WASHER over threaded nipple. Insert nipple through hole in fixture base. Thread nut onto nipple. Connect black wire from fixture to one of the black wires from photo sensor with wire connector provided.

2



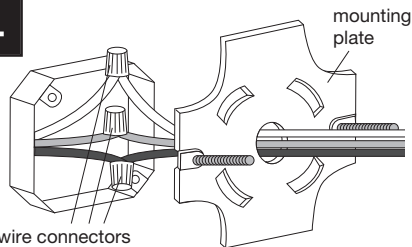
FASTEN THE CAGE to the fixture base with the three screws provided.

3



Thread one inch long screws into mounting plate and feed fixture wires through the hole in the center of the mounting plate.

4



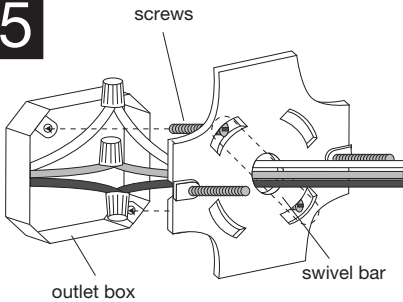
CONNECT THE WIRES. NOTE: Attach black fixture wire to black supply wire, white fixture wire to white supply wire. Do not mix them up. Use approved wire connectors (not provided). Connect bare fixture ground wire to ground wire from outlet box. NEVER CONNECT GROUND WIRE TO BLACK OR WHITE POWER SUPPLY WIRES.

(INSTRUCTIONS CONTINUE ON BACK SIDE)

# INSTALLATION INSTRUCTIONS

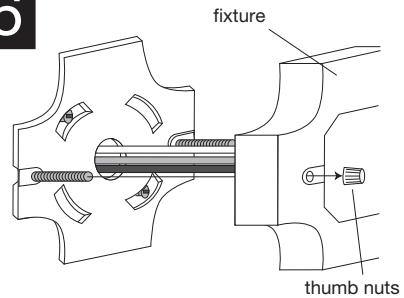
(CONTINUED FROM OTHER SIDE)

5



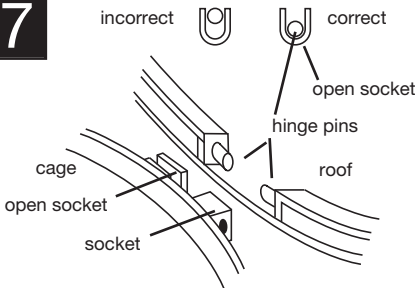
Attach swivel bar to outlet box with two 8-32 screws (not provided). These screws inserted through appropriate rectangular opening in plate and into swivel bar. Tighten screws.

6



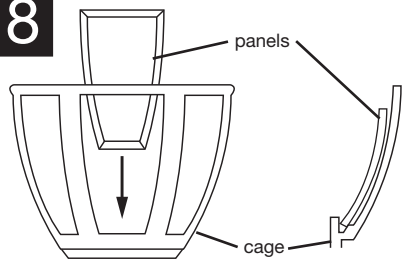
Position fixture over fixture mounting screws and secure with provided thumb nuts.

7



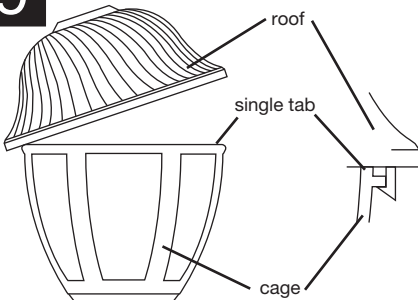
SLIP ONE HINGE PIN on roof into hole in socket on cage and snap other hinge pin into open socket. Be sure hinge pin is completely seated in open socket.

8



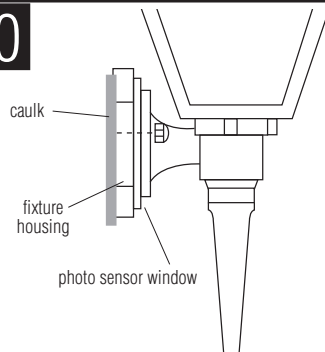
INSTALL PLASTIC PANELS, beveled side out, by sliding panels down cage in slots on inside of cage. Make sure panels are all the way down into seats in cage.

9



SCREW LIGHT BULB INTO SOCKET. Be sure to use bulb with wattage no greater than specified for this fixture. Lower roof and snap into place. See assembly illustration.

10



NOTE: Fixture MUST be caulked with an acrylic caulk where fixture housing meets mounting surface. This provides a water tight seal when fixture is installed.



**CLEAN ONLY WITH MILD SOAP AND WATER. AVOID SPRAYING WITH CLEANSERS, INSECTICIDES, AND PESTICIDES THAT ARE PETROLEUM BASED HYDROCARBON PRODUCTS. THESE WILL DEGRADE LUMINAIRE.**