

OUTDOOR POST FIXTURE 123/124



Wave Lighting's 123/124 adds a welcoming look to any outdoor space. This fixture can be used to comply with 2016 Title 24 Part 6 High Efficacy LED Light Source Requirements. Wave Lighting's 123/124 fits on a 3" diameter pole (sold separately) mounting hardware is included.

LED SOURCE OPTIONS

LED LIGHTWAVE - LR/LT

- 120V, 50/60 Hz
- AC Driver-On-Board Array
- Estimated 50,000 Hrs L₇₀
- Low Flicker Available
- Surge Supression
- Dimmable
- 3000K or 4000K CCT; 80 or 90CRI
- 5 Year Warranty

E26 REPLACEABLE LED - LE26

- 120V, 50/60Hz
- "Screw-In" Medium Base A19/E26 LED Lamp
- Estimated 15,000 Hrs L₇₀
- Low Flicker
- Dimmable (see compatible dimmer list)
- 3000K CCT 90CRI or 4000K CCT 80CRI
- 3 Year Warranty



SPECIFICATIONS

- Black or White
- Mounting Hardware Included
- Clear Acrylic Diffuser
- Post Mount Only
- Minimum Starting Temp -20°F
- UL Listed for Wet Locations

GUIDE: 124-LR12W

CALL FOR PHOTOMETRIC INFORMATION

ITEM #	LENS	LIGHT SOURCE	
123-White 124-Black	ACRYLIC Clear	INCANDESCENT (1) 75W MAX Medium Base	
		LED LIGHT SOURCE	
		LIGHTWAVE LED LR12-13W 1000lm 80CRI LR15-15W 1400lm 80CRI LT12-12W 1040lm 90CRI LT15-16W 1400lm 90CRI	CCT C-4K W-3K
		E26 REPLACEABLE LED LE26-10W 800lm ☆	C-4K W-3K

☆ Lamp Included

REFER TO CATALOG FOR OPTION SPECIFICATIONS - Specifications subject to change without notice - FIXTURE SPEC 1/19



BALLABS CERTIFIED TEST REPORT NO.: 18276.0 A DATE 07/23/14
 DESCRIPTION: 1-(44LED) 18W 5"DIA LED MODULE w/CLEAR ACRYLIC LED LENS

12"DIA POST TOP LUMINAIRE w/FROSTED GLASS CHIMNEY &
 8"DIA 10"TALL CLEAR ACRYLIC GLOBE

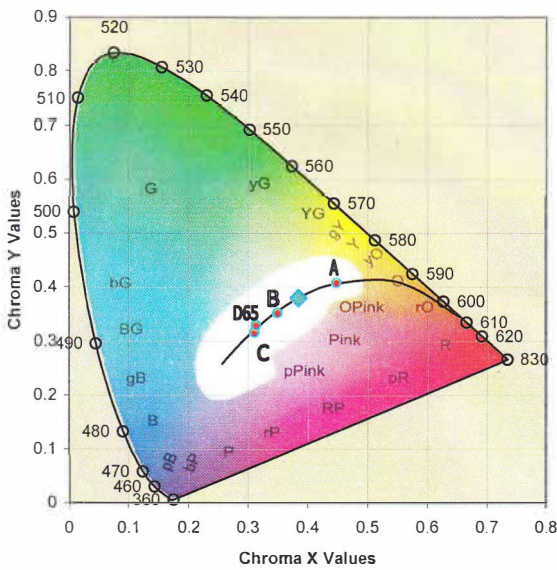
CATALOG NBR: 123-L31200C
 LAMP TYPE : L12-AC120R-4000

RATED LUMENS NA. NBR. LAMPS: - 1

INPUT VOLTAGE (V)	120.0
INPUT CURRENT (A)	0.1593
INPUT WATTS (W)	18.738
POWER FACTOR	0.9803
THDv (%)	0.1878%
THDi (%)	20.0320%
LUMINOUS EFFICACY-LPW	58.6
LUMINOUS FLUX- LUMENS	1098
CHROMA x	0.3841
CHROMA y	0.3792
CHROMA u	0.2266
CHROMA v	0.3355
DELTA uv (Duv)	0
CORR COLOR TEMP (K)	3916
COLOR REND INDEX (RA)	83.29
COLOR REND INDEX (R9)	18.4

Wavelength (nm)	Spectral Flux mW/nm	Wavelength (nm)	Spectral Flux mW/nm
350	0.0712	610	17.7053
360	0.0734	620	16.5715
370	0.0618	630	14.9851
380	0.0734	640	13.1830
390	0.0946	650	11.1978
400	0.1903	660	9.2578
410	0.6254	670	7.4973
420	2.0766	680	5.9420
430	5.5053	690	4.6126
440	10.8251	700	3.5274
450	16.8850	710	2.6651
460	11.2636	720	2.0139
470	7.3450	730	1.5012
480	5.8829	740	1.1172
490	6.8421	750	0.8275
500	8.7808	760	0.6165
510	10.4965	770	0.4618
520	11.9931	780	0.3408
530	13.2582	790	0.2556
540	14.5279	800	0.1898
550	15.7361	810	0.1451
560	16.7797	820	0.1142
570	17.6688	830	0.0842
580	18.2602	840	0.0627
590	18.5223	850	0.0529
600	18.3632		

Chromaticity Diagram CIE 1931 2 Degree

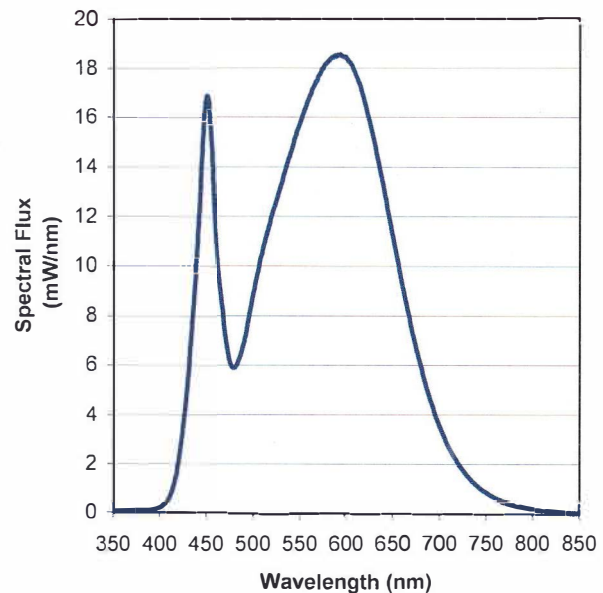


Data collected utilizing a Labsphere integrating sphere and 2100 spectroradiometer. Calibration of the spectroradiometer-sphere is traceable to the National Institute of Standards and Technology.

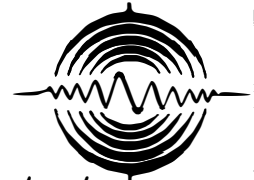


NVLAP LAB CODE 200921-0

Kelly C. Lerbs
 Vice President



SIGNIFICANCE OF THE TEST IS LIMITED TO THE DEGREE THAT THE TESTED SAMPLE IS REPRESENTATIVE. OTHER FACTORS AFFECT FIELD PERFORMANCE.



BALLABS CERTIFIED TEST REPORT NO.: 18276.0

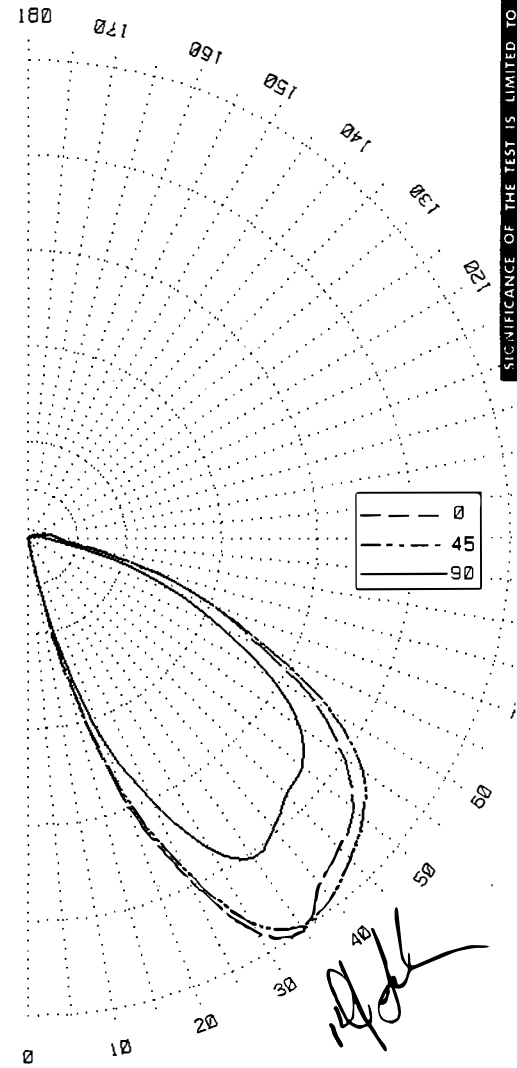
DATE 07/23/14

DESCRIPTION: 1-(44LED) 18W 5"DIA LED MODULE w/CLEAR ACRYLIC LED LENS
 12"DIA POST TOP LUMINAIRE w/FROSTED GLASS CHIMNEY &
 8"DIA 10"TALL CLEAR ACRYLIC GLOBE

CATALOG NBR: 123-L31200C

LAMP TYPE : L12-AC120R-4000 RATED LUMENS NA. NBR. LAMPS:- 1

VERT ANG	CANDLEPOWER DISTRIBUTION					ZONAL LUMENS
	0	HORIZONTAL ANGLE				
	0	22.5	45	67.5	90	
0	1.	1.	1.	1.	1.	
5	2.	2.	1.	1.	3.	.2
10	6.	4.	8.	5.	8.	
15	90.	75.	96.	68.	73.	22.8
20	196.	194.	188.	138.	150.	
25	263.	257.	256.	199.	203.	109.3
30	321.	309.	312.	226.	251.	
35	337.	325.	334.	233.	273.	188.0
40	319.	322.	331.	234.	267.	
45	309.	309.	320.	225.	256.	220.0
50	298.	298.	307.	218.	250.	
55	270.	274.	287.	200.	233.	227.2
60	233.	240.	246.	176.	196.	
65	179.	192.	189.	142.	150.	170.6
70	138.	146.	138.	112.	109.	
75	95.	90.	94.	68.	73.	89.1
80	52.	49.	52.	40.	38.	
85	31.	29.	29.	25.	20.	29.9
90	21.	20.	20.	17.	13.	
95	19.	18.	18.	17.	10.	18.3
100	15.	15.	15.	13.	8.	
105	12.	14.	13.	9.	7.	11.9
110	7.	8.	8.	7.	5.	
115	8.	8.	7.	7.	3.	7.1
120	6.	6.	5.	4.	5.	
125	4.	4.	3.	3.	2.	3.1
130	2.	2.	2.	2.	1.	
135	2.	2.	1.	0.	0.	.8
140	0.	0.	0.	0.	0.	
145	0.	0.	0.	0.	0.	.0
150	0.	0.	0.	0.	0.	
155	0.	0.	0.	0.	0.	.0
160	0.	0.	0.	0.	0.	
165	0.	0.	0.	0.	0.	.0
170	0.	0.	0.	0.	0.	
175	0.	0.	0.	0.	0.	.0
180	0.	0.	0.	0.	0.	



NVLAP LAB CODE 200921-0

LUMEN SUMMARY

ZONE	LUMENS	%LAMP	%FIXT	ZONE	LUMENS	%LAMP	%FIXT
0- 30	132.	NA.	12.0	90-120	37.	NA.	3.4
0- 40	320.	NA.	29.2	90-130	40.	NA.	3.7
0- 60	767.	NA.	69.9	90-150	41.	NA.	3.8
0- 90	1057.	NA.	96.2	90-180	41.	NA.	3.8
TOTAL LUMINAIRE = 0-180					1098.	NA.	100.0

IES SPACING CRITERIA: END= 9.9 DIAGONAL = 8.2 CROSS= 9.3

SIGNIFICANCE OF THE TEST IS LIMITED TO THE DEGREE THAT THE TESTED SAMPLE IS REPRESENTATIVE. OTHER FACTORS AFFECT FIELD PERFORMANCE.

BALLABS CERTIFIED TEST REPORT NO.: 18276.0 DATE 07/23/14
 DESCRIPTION: 1-(44LED) 18W 5"DIA LED MODULE w/CLEAR ACRYLIC LED LENS

12"DIA POST TOP LUMINAIRE w/FROSTED GLASS CHIMNEY &
 8"DIA 10"TALL CLEAR ACRYLIC GLOBE

CATALOG NBR: 123-L31200C

LAMP TYPE : L12-AC120R-4000 RATED LUMENS NA. NBR. LAMPS:- 1

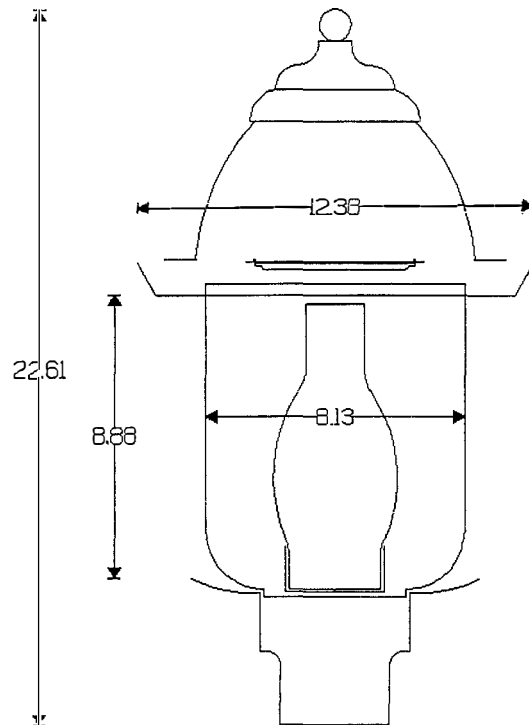
VERT ANGLE	LUMINANCES-CD/SQ-M HORIZONTAL ANGLE		
	0	45	90
45	5039.	5167.	4134.
55	4306.	4540.	3678.
65	2879.	3007.	2389.
75	1590.	1564.	1217.
85	558.	524.	355.

MAXIMUM BRIGHTNESSES NOT MEASURED

ELECTRICAL CHARACTERISTICS 120.0V .1593A 18.738W

LUMINOUS EFFICACY (LUMENS / WATTS) = 58.6

TESTED IN ACCORDANCE WITH CURRENT IES STANDARDS
 UTILIZING ABSOLUTE PHOTOMETRY PER LM-79-08





LUMINAIRE TESTING LABORATORY, INC.

SUSTAINING
MEMBER
of the
IESNA

905 Harrison Street · Allentown, PA 18103 · 610-770-1044 · Fax 610-770-8912 · www.LuminaireTesting.com

LTL NUMBER: 29394

DATE: 2012-03-30

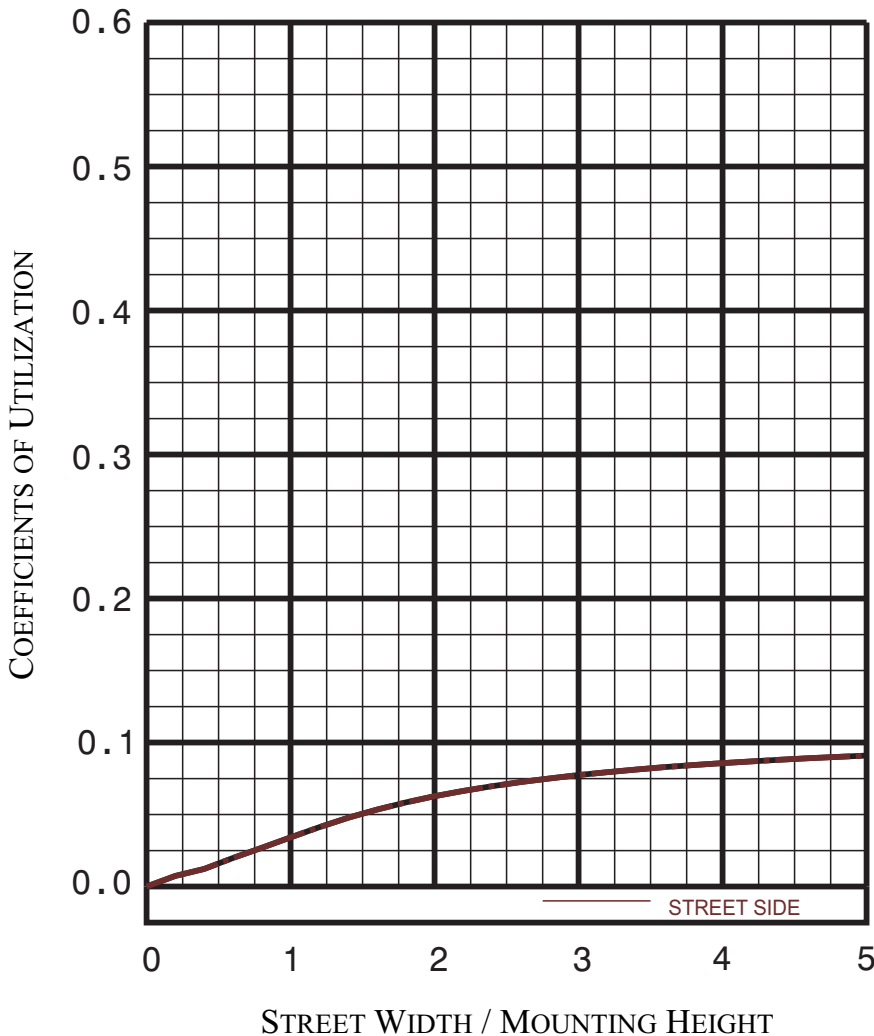
CATALOG NUMBER: 123-G23

LUMINAIRE: BLACK PLASTIC HOUSING, FROSTED GLASS CENTER SECTION, FROSTED PLASTIC ENCLURE, CLEAR PLASTIC MIDDLE ENCLOSURE

LAMP: ONE VBD 23 WATT BARE SPIRAL CFL RATED AT 1600 LUMENS

LAMP CATALOG NUMBER: TCP 331123SP

ELECTRICAL VALUES: 120.1VAC, 0.3045A, 19.39W, PF=0.531



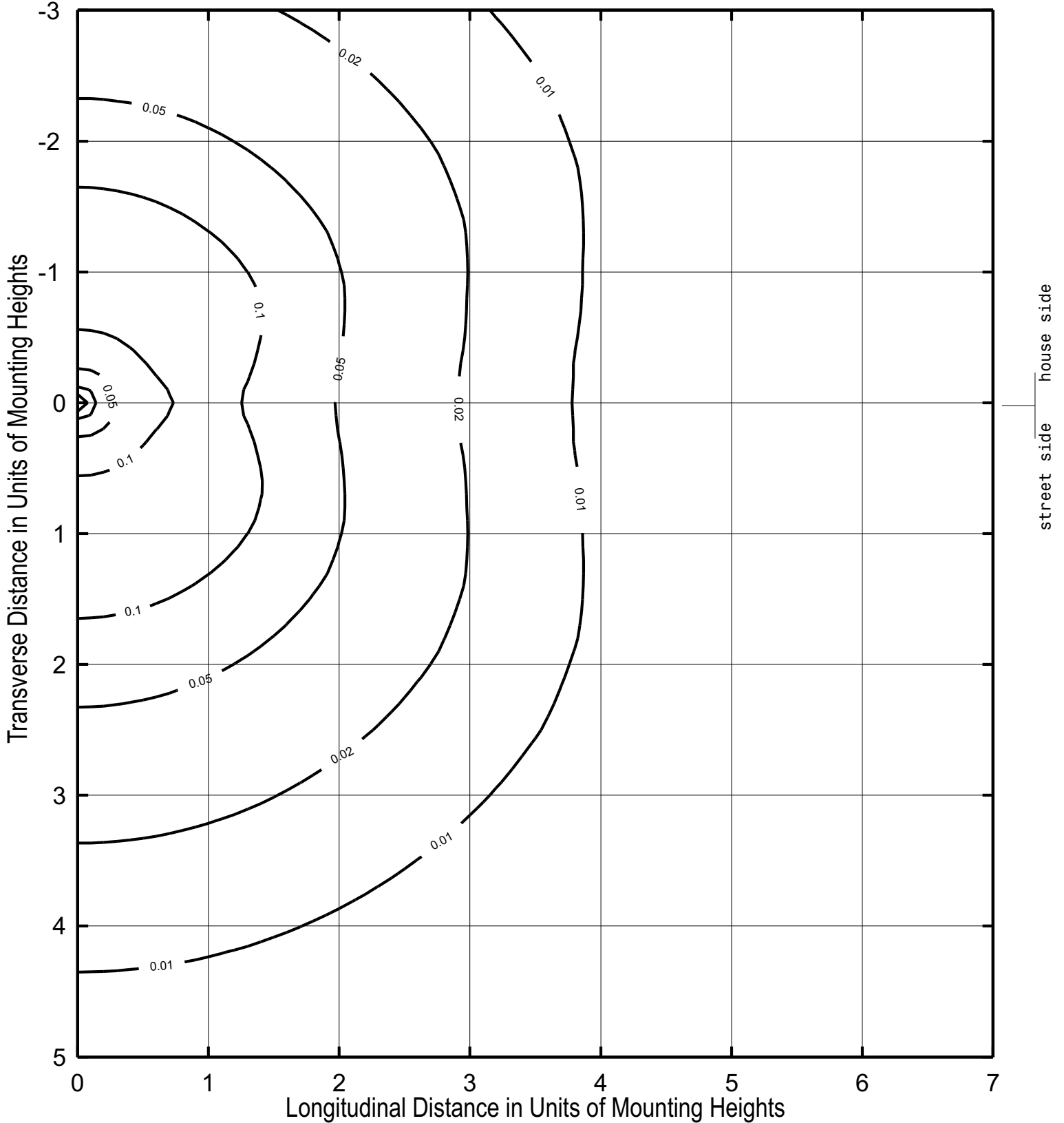
IES CLASSIFICATION: AREA LIGHT
CUTOFF CLASSIFICATION: NON-CUTOFF
FLUX DISTRIBUTION

LUMENS	DOWNWARD	UPWARD	TOTALS
HOUSE SIDE	181.82 (11.4%)	213.73 (13.4%)	395.55 (24.7%)
STREET SIDE	181.82 (11.4%)	213.73 (13.4%)	395.55 (24.7%)
TOTALS	363.64 (22.7%)	427.46 (26.7%)	791.10 (49.4%)

Approved By:



ISOFOOTCANDLE LINES OF HORIZONTAL ILLUMINATION VALUES BASED ON 10.00 FOOT MOUNTING HEIGHT



PROJECTION OF HALF-MAX CANDELA CONTOUR

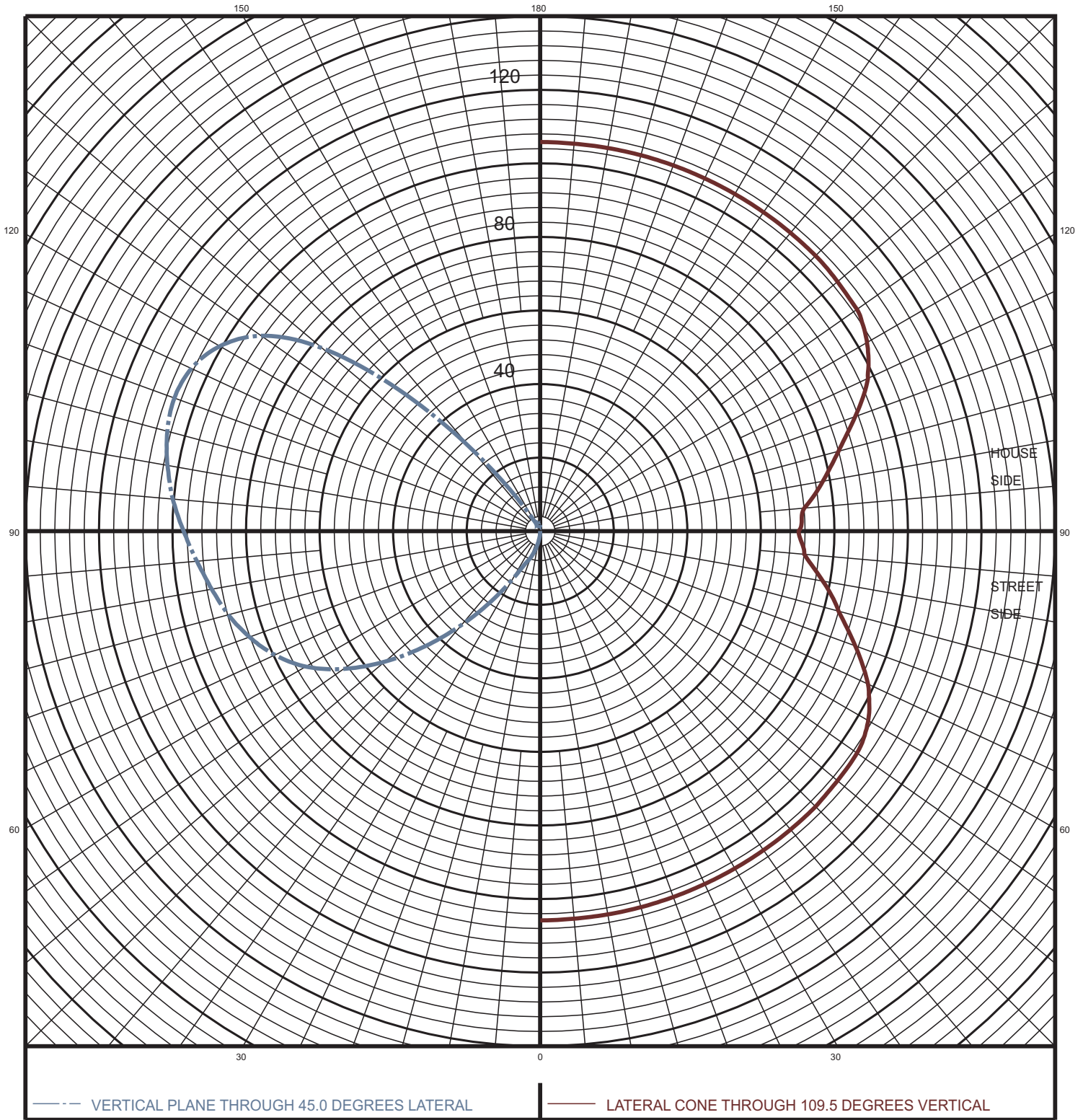


CANDELA DISTRIBUTION

Table with 12 columns (0-90) and 20 rows (0-180) showing Candela Distribution values. The table is symmetric around the 45-degree column.

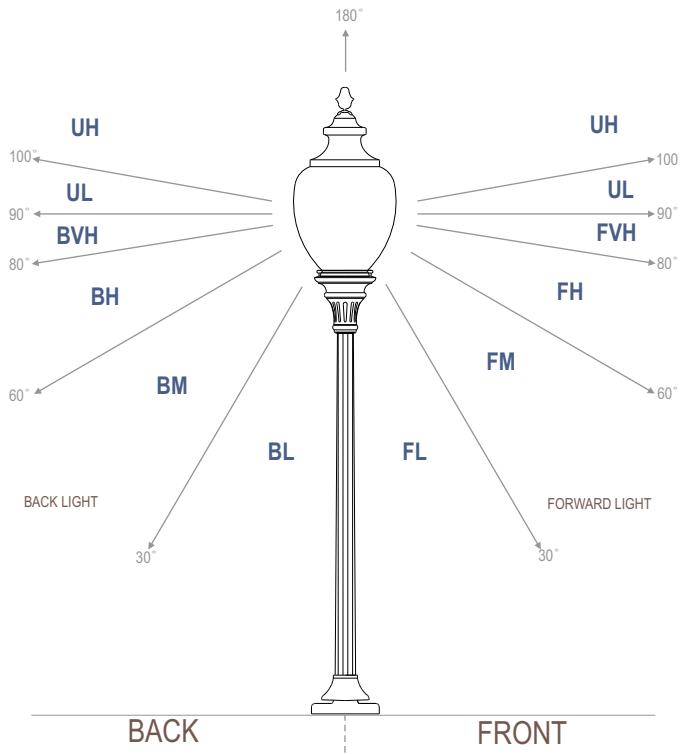


MAXIMUM PLANE AND CONE PLOTS OF CANDELA





FLUX DISTRIBUTION TABLE BASED ON THE IESNA LUMINAIRE CLASSIFICATION SYSTEM



FLUX

LUMINAIRE % OF LAMP

ZONE	LUMENS	LUMENS
FORWARD LIGHT	182	11.4
FL (0°-30°)	3	0.2
FM (30°-60°)	51	3.2
FH (60°-80°)	80	5.0
FVH (80°-90°)	48	3.0

BACK LIGHT	182	11.4
BL (0°-30°)	3	0.2
BM (30°-60°)	51	3.2
BH (60°-80°)	80	5.0
BVH (80°-90°)	48	3.0

UPLIGHT	427	26.7
UL (90°-100°)	102	6.4
UH (100°-180°)	326	20.4

TRAPPED LIGHT	809	50.6
---------------	-----	------

BUG (Backlight, Uplight, Glare) Rating	
Asymmetrical Luminaire Types (Type I, II, III, IV)	B0 U3 G1
Quadrilateral Symmetrical Luminaire Types (Type V, Area Light)	B0 U3 G1