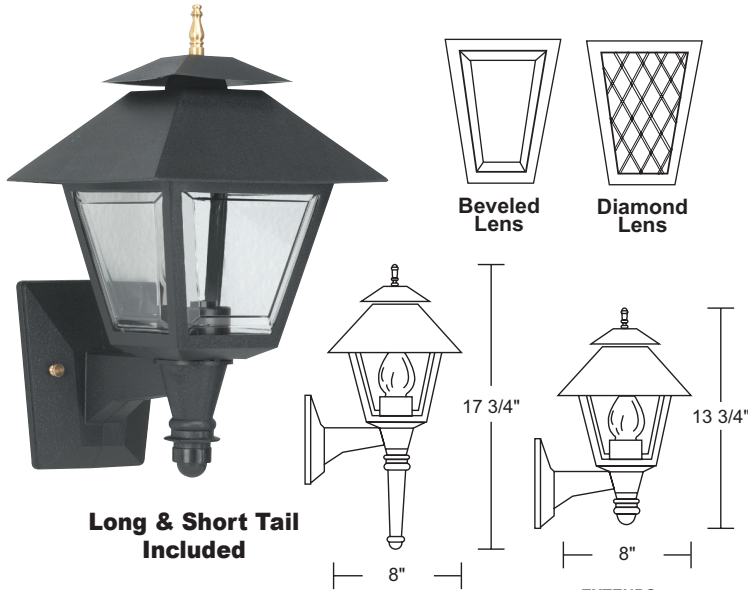


OUTDOOR WALL FIXTURE 105/106



Wave Lighting's 105/106 adds a welcoming look to any outdoor space. This fixture can be used to comply with 2016 Title 24 Part 6 High Efficacy LED Light Source Requirements. Wave Lighting's 105/106 is designed for wall applications and mounting hardware is included. Options include photocell.



Long & Short Tail Included



EXTENDS:
9 3/4"
H/CTR:
11 1/2"
BACKPLATE:
5 1/2" x 5"

LED SOURCE OPTIONS

LIGHTWAVE LED - LR/LT

- 120V, 50/60 Hz
- AC Driver-On-Board Array
- Estimated 50,000 Hrs L₇₀
- Low Flicker (LT models)
- Surge Supression
- Dimmable (see compatible dimmer list)
- High Efficacy LED Light Source
- 3000K or 4000K CCT; 80 or 90CRI
- 5 Year Warranty
- Energy Star

E26 REPLACEABLE LED - LE26

- 120V, 50/60Hz
- "Screw-In" Medium Base A19/E26 LED Lamp
- Estimated 15,000 Hrs L₇₀
- Low Flicker (3K models)
- Dimmable (see compatible dimmer list)
- 3000K CCT 90CRI or 4000K CCT 80CRI
- 3 Year Warranty
- Energy Star

SPECIFICATIONS

- Black or White
- Mounting Hardware Included
- Clear, Amber or Frosted Acrylic Diffuser
- Wall Mount Only
- Minimum Starting Temp -20°F
- UL Listed for Wet Locations

GUIDE: 106C-LR12W

CALL FOR PHOTOMETRIC INFORMATION

ITEM #	LENS	LIGHT SOURCE	OPTION	
105-White 106-Black	ACRYLIC Clear Beveled A-Amber Beveled Diamond C-Clear Beveled Diamond F-Frosted Beveled	INCANDESCENT (1) 60W MAX Medium Base	PC-Photocell	
		LED LIGHT SOURCE		
		LIGHTWAVE LED LR12-13W 1000lm 80CRI LT12-12W 1040lm 90CRI		CCT C-4K W-3K
		E26 REPLACEABLE LED LE26-10W 800lm ☆		C-4K W-3K

☆ Lamp Included Energy Star Qualified Product

REFER TO CATALOG FOR OPTION SPECIFICATIONS - Specifications subject to change without notice - FIXTURE SPEC 1/19

BUILDING ACOUSTICS & LIGHTING LABORATORIES, INC.

1618 HEADLAND DR.
 FENTON, MO 63026
 (636) - 343-6006
 (636) - 343-6051 FAX



BALLABS CERTIFIED TEST REPORT NO.: 18412.0 A
 DESCRIPTION: 1-(22LED) 12W WALL MOUNT LUMINAIRE

DATE 09/05/14

CLEAR ACRYLIC LENS OVER LEDS w/CLEAR ACRYLIC SIDE LENSES

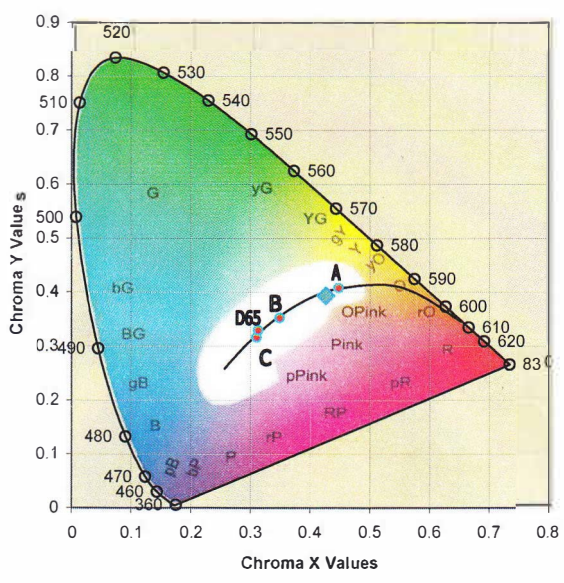
CATALOG NBR: 106-LE800C
 LAMP TYPE : PCB-799 REV 6.0

RATED LUMENS NA. NBR. LAMPS:- 1

INPUT VOLTAGE (V)	120.0
INPUT CURRENT (A)	0.1139
INPUT WATTS (W)	13.332
POWER FACTOR	0.9752
THDv (%)	0.1852%
THDi (%)	23.6100%
LUMINOUS EFFICACY-LPW	38.9
LUMINOUS FLUX- LUMENS	519
CHROMA x	0.4260
CHROMA y	0.3931
CHROMA u	0.2482
CHROMA v	0.3436
DELTA uv (Duv)	0.0034
CORR COLOR TEMP (K)	3100
COLOR REND INDEX (RA)	83.08
COLOR REND INDEX (R9)	15.8

Wavelength (nm)	Spectral Flux (mW/nm)	Wavelength (nm)	Spectral Flux (mW/nm)
350	0.0224	610	9.9652
360	0.0294	620	9.4869
370	0.0224	630	8.7038
380	0.0250	640	7.6962
390	0.0370	650	6.5815
400	0.0784	660	5.4714
410	0.2532	670	4.4212
420	0.8220	680	3.5028
430	2.0862	690	2.7272
440	3.9932	700	2.0826
450	5.3997	710	1.5753
460	3.6373	720	1.1910
470	2.5518	730	0.8871
480	2.3200	740	0.6550
490	2.8335	750	0.4860
500	3.5558	760	0.3657
510	4.1356	770	0.2686
520	4.6850	780	0.1998
530	5.2476	790	0.1502
540	5.9136	800	0.1107
550	6.7024	810	0.0845
560	7.5655	820	0.0628
570	8.4190	830	0.0480
580	9.2125	840	0.0409
590	9.8058	850	0.0313
600	10.0954		

Chromaticity Diagram CIE 1931 2 Degree

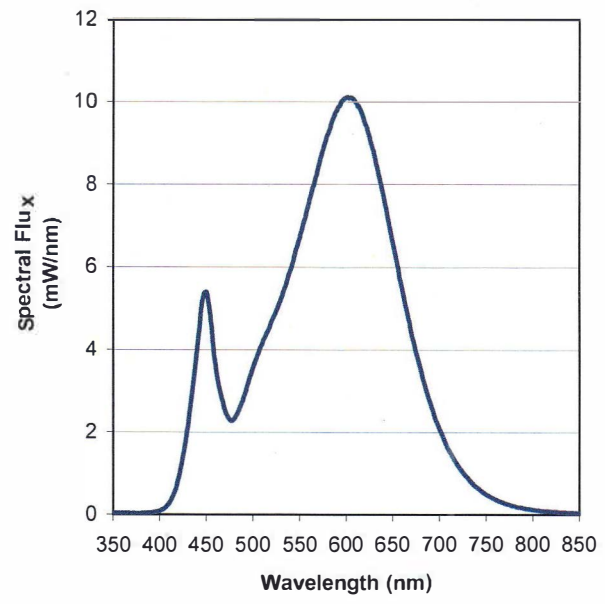


Data collected utilizing a Labsphere integrating sphere and 2100 spectroradiometer. Calibration of the spectroradiometer-sphere is traceable to the National Institute of Standards and Technology.



NVLAP LAB CODE 200921-0

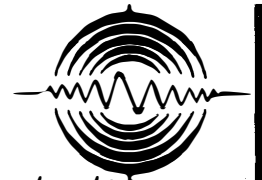
Kelly C. Lerbs
 Vice President



SIGNIFICANCE OF THE TEST IS LIMITED TO THE DEGREE THAT THE TESTED SAMPLE IS REPRESENTATIVE. OTHER FACTORS AFFECT FIELD PERFORMANCE.

BUILDING ACOUSTICS & LIGHTING LABORATORIES, INC.

1618 HEADLAND DR.
 FENTON, MO 63026
 (636) - 343-6006
 (636) - 343-6051 FAX



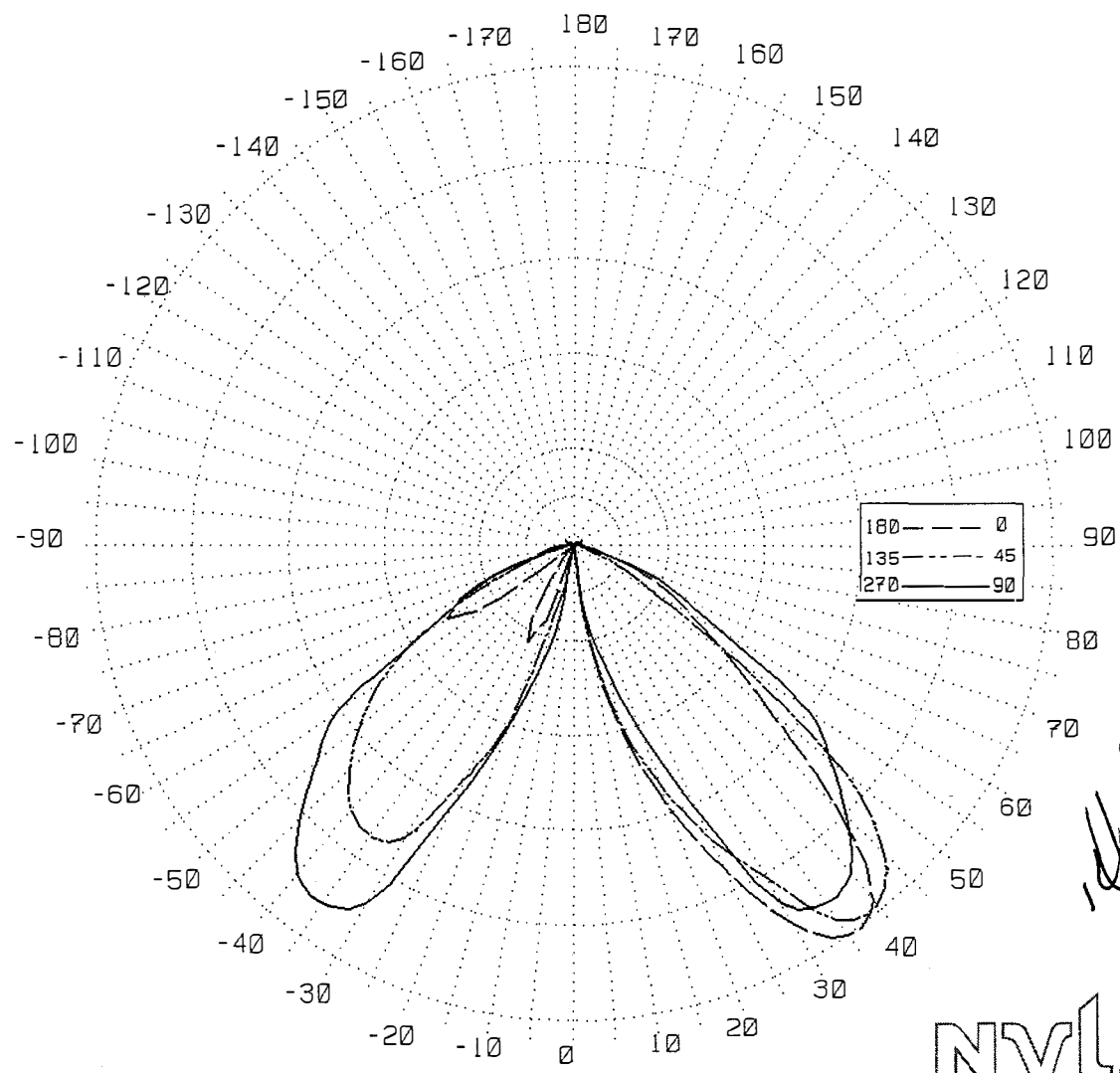
BALLABS CERTIFIED TEST REPORT NO.: 18412.0
 DESCRIPTION: 1-(22LED) 12W WALL MOUNT LUMINAIRE

DATE 09/05/14

CLEAR ACRYLIC LENS OVER LEDS w/CLEAR ACRYLIC SIDE LENSES

CATALOG NBR: 106-LE800C
 LAMP TYPE : PCB-799 REV 6.0 RATED LUMENS NA. NBR. LAMPS:- 1

0 DEGREE PLANE CONTAINS MAXIMUM CANDLEPOWER



NVLAP[®]

NVLAP LAB CODE 200921-0

LUMEN SUMMARY							
ZONE	LUMENS	%LAMP	%FIXT	ZONE	LUMENS	%LAMP	%FIXT
0- 30	93.	NA.	18.0	90-120	6.	NA.	1.1
0- 40	212.	NA.	40.9	90-130	6.	NA.	1.2
0- 60	442.	NA.	85.1	90-150	6.	NA.	1.2
0- 90	513.	NA.	98.8	90-180	6.	NA.	1.2
TOTAL LUMINAIRE =				0-180	519.	NA.	100.0

SIGNIFICANCE OF THE TEST IS LIMITED TO THE DEGREE THAT THE TESTED SAMPLE IS REPRESENTATIVE. OTHER FACTORS AFFECT FIELD PERFORMANCE.

BALLABS CERTIFIED TEST REPORT NO.: 18412.0
 DESCRIPTION: 1-(22LED) 12W WALL MOUNT LUMINAIRE

DATE 09/05/14

CLEAR ACRYLIC LENS OVER LEDS w/CLEAR ACRYLIC SIDE LENSES

CATALOG NBR: 106-LE800C

LAMP TYPE : PCB-799 REV 6.0

RATED LUMENS

NA. NBR. LAMPS:- 1

CANDLEPOWER DISTRIBUTION
 0 DEGREE PLANE CONTAINS MAXIMUM CANDLEPOWER

VERT	HORIZONTAL									LUMENS		TOTAL
	.0	22.5	45.0	67.5	90.0	112.5	135.0	157.5	180.0	FRONT	BACK	
0	3.	3.	0.	3.	3.	3.	3.	3.	3.			
5	1.	5.	3.	3.	0.	4.	3.	3.	1.	.2	.1	.3
10	65.	63.	63.	45.	45.	45.	26.	6.	3.			
15	125.	113.	119.	59.	80.	85.	48.	45.	10.	12.1	9.2	21.3
20	179.	150.	164.	136.	126.	140.	121.	88.	50.			
25	230.	201.	208.	148.	186.	175.	166.	96.	69.	40.4	31.4	71.7
30	281.	231.	246.	149.	266.	224.	218.	85.	41.			
35	306.	233.	294.	184.	281.	276.	229.	65.	10.	65.4	53.6	119.0
40	299.	260.	303.	194.	276.	279.	223.	53.	0.			
45	240.	231.	281.	193.	248.	253.	204.	30.	0.	82.0	54.7	136.7
50	166.	161.	228.	153.	215.	226.	179.	29.	0.			
55	119.	110.	129.	80.	185.	165.	151.	59.	56.	42.6	50.2	92.8
60	88.	80.	61.	56.	113.	104.	114.	50.	94.			
65	65.	51.	36.	36.	76.	56.	70.	51.	80.	21.7	26.7	48.4
70	41.	35.	19.	29.	54.	49.	34.	31.	56.			
75	24.	18.	9.	10.	19.	19.	18.	20.	25.	7.3	10.2	17.5
80	15.	10.	9.	9.	10.	10.	8.	10.	18.			
85	10.	6.	5.	4.	5.	5.	3.	3.	11.	2.7	2.0	4.8
90	5.	6.	1.	1.	3.	3.	0.	1.	4.			
95	4.	3.	1.	3.	3.	4.	0.	1.	3.	1.4	1.4	2.7
100	4.	3.	4.	3.	4.	1.	0.	0.	1.			
105	3.	0.	3.	3.	3.	1.	0.	0.	0.	.7	.3	1.0
110	6.	3.	6.	3.	3.	1.	0.	0.	0.			
115	3.	1.	3.	4.	6.	3.	0.	0.	0.	1.2	.6	1.9
120	3.	1.	1.	1.	3.	0.	0.	0.	0.			
125	1.	3.	3.	1.	3.	0.	0.	0.	0.	.8	.0	.8
130	0.	0.	0.	0.	0.	0.	0.	0.	0.			
135	0.	0.	0.	0.	0.	0.	0.	0.	0.	.0	.0	.0
140	0.	0.	0.	0.	0.	0.	0.	0.	0.			
145	0.	0.	0.	0.	0.	0.	0.	0.	0.	.0	.0	.0
150	0.	0.	0.	0.	0.	0.	0.	0.	0.			
155	0.	0.	0.	0.	0.	0.	0.	0.	0.	.0	.0	.0
160	0.	0.	0.	0.	0.	0.	0.	0.	0.			
165	0.	0.	0.	0.	0.	0.	0.	0.	0.	.0	.0	.0
170	0.	0.	0.	0.	0.	0.	0.	0.	0.			
175	0.	0.	0.	0.	0.	0.	0.	0.	0.	.0	.0	.0
180	0.	0.	0.	0.	0.	0.	0.	0.	0.			

USE .396 FT. AS LENGTH AND .396 FT. AS WIDTH

BALLABS CERTIFIED TEST REPORT NO.: 18412.0
DESCRIPTION: 1-(22LED) 12W WALL MOUNT LUMINAIRE

DATE 09/05/14

CLEAR ACRYLIC LENS OVER LEDS w/CLEAR ACRYLIC SIDE LENSES

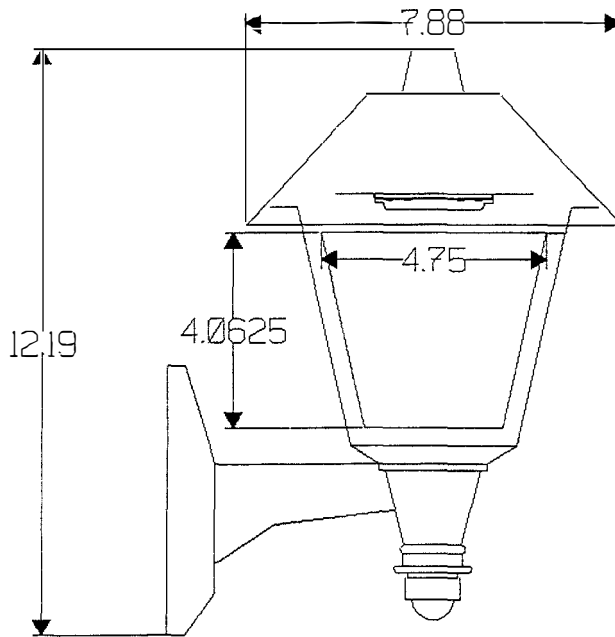
CATALOG NBR: 106-LE800C

LAMP TYPE : PCB-799 REV 6.0 RATED LUMENS 519. NBR. LAMPS:- 1

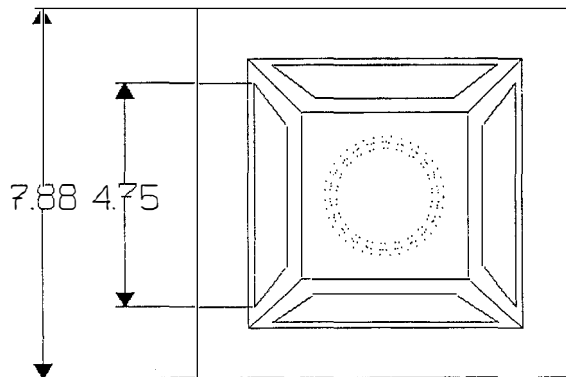
ELECTRICAL CHARACTERISTICS 120.0V .1139A 13.332W

LUMINOUS EFFICACY (LUMENS / WATTS) = 38.9

TESTED IN ACCORDANCE WITH CURRENT IES STANDARDS
UTILIZING ABSOLUTE PHOTOMETRY PER LM-79-08



Ø DEGREE PLANE →





BALLABS CERTIFIED TEST REPORT NO.: 18413.0 A
 DESCRIPTION: 1-(22LED) 12W WALL MOUNT LUMINAIRE

DATE 09/05/14

CLEAR ACRYLIC LENS OVER LEDS w/FROSTED ACRYLIC SIDE LENSES

CATALOG NBR: 106F-LE800C
 LAMP TYPE : PCB-799 REV 6.0

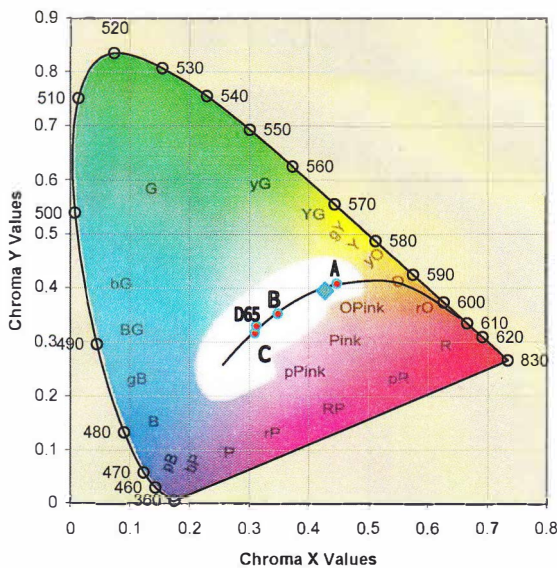
RATED LUMENS

NA. NBR. LAMPS:- 1

INPUT VOLTAGE (V)	120.0
INPUT CURRENT (A)	0.1138
INPUT WATTS (W)	13.321
POWER FACTOR	0.9753
THDv (%)	0.1806%
THDi (%)	22.5580%
LUMINOUS EFFICACY-LPW	37.9
LUMINOUS FLUX- LUMENS	504
CHROMA x	0.4277
CHROMA y	0.3941
CHROMA u	0.2489
CHROMA v	0.344
DELTA uv (Duv)	0.0027
CORR COLOR TEMP (K)	3077
COLOR REND INDEX (RA)	82.97
COLOR REND INDEX (R9)	15.5

Wavelength (nm)	Spectral Flux (mW/nm)	Wavelength (nm)	Spectral Flux (mW/nm)
350	0.0248	610	9.7409
360	0.0248	620	9.2733
370	0.0256	630	8.4868
380	0.0301	640	7.5139
390	0.0372	650	6.4504
400	0.0760	660	5.3606
410	0.2455	670	4.3252
420	0.7776	680	3.4258
430	1.9788	690	2.6714
440	3.8087	700	2.0443
450	5.1558	710	1.5429
460	3.4713	720	1.1645
470	2.4412	730	0.8678
480	2.2174	740	0.6425
490	2.7202	750	0.4789
500	3.4179	760	0.3562
510	3.9897	770	0.2637
520	4.5155	780	0.1956
530	5.0616	790	0.1470
540	5.7265	800	0.1093
550	6.4957	810	0.0838
560	7.3327	820	0.0642
570	8.1863	830	0.0492
580	8.9705	840	0.0366
590	9.5745	850	0.0284
600	9.8377		

Chromaticity Diagram CIE 1931 2 Degree

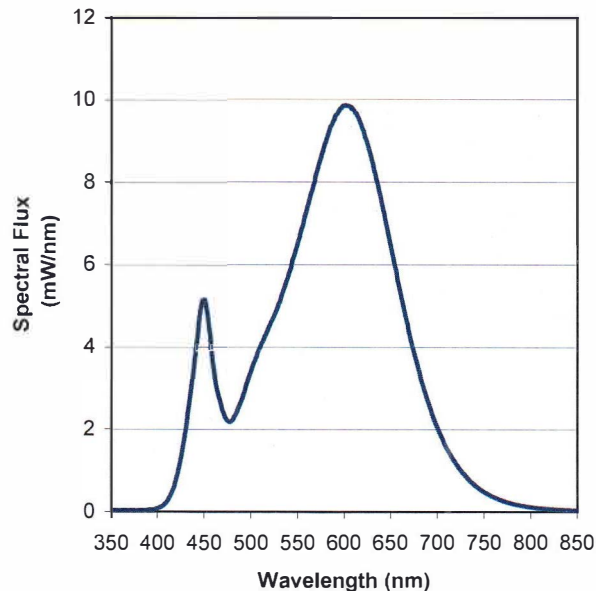


Data collected utilizing a Labsphere integrating sphere and 2100 spectroradiometer. Calibration of the spectroradiometer-sphere is traceable to the National Institute of Standards and Technology.



NVLAP LAB CODE 200921-0

Kelly C. Lerbs
 Kelly C. Lerbs
 Vice President



SIGNIFICANCE OF THE TEST IS LIMITED TO THE DEGREE THAT THE TESTED SAMPLE IS REPRESENTATIVE. OTHER FACTORS AFFECT FIELD PERFORMANCE.



BALLABS CERTIFIED TEST REPORT NO.: 18413.0
 DESCRIPTION: 1-(22LED) 12W WALL MOUNT LUMINAIRE

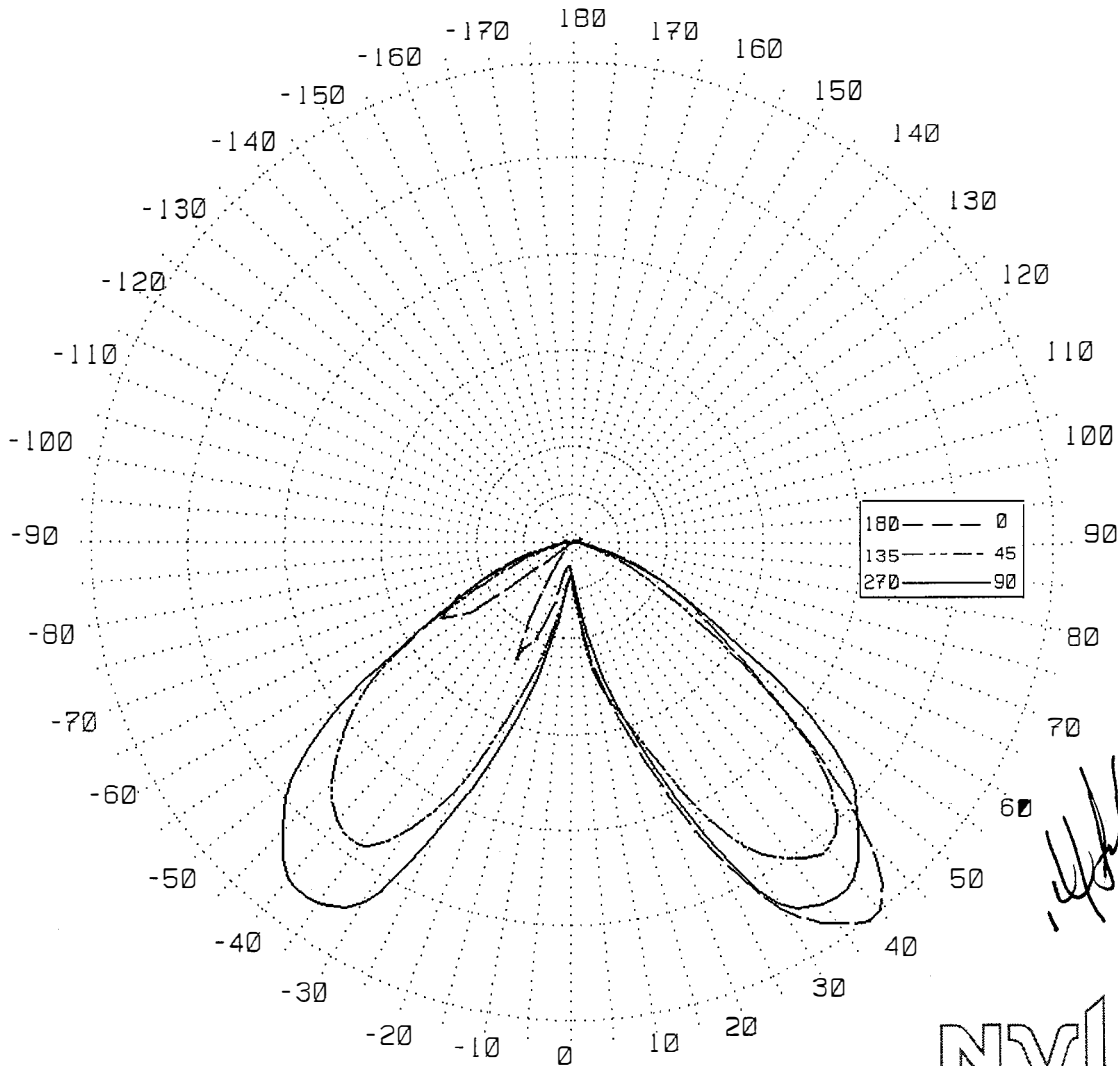
DATE 09/05/14

CLEAR ACRYLIC LENS OVER LEDS w/FROSTED ACRYLIC SIDE LENSES

CATALOG NBR: 106F-LE800C

LAMP TYPE : PCB-799 REV 6.0 RATED LUMENS NA. NBR. LAMPS:- 1

0 DEGREE PLANE CONTAINS MAXIMUM CANDLEPOWER



NVLAP[®]

NVLAP LAB CODE 200921-0

LUMEN SUMMARY							
ZONE	LUMENS	%LAMP	%FIXT	ZONE	LUMENS	%LAMP	%FIXT
0- 30	91.	NA.	18.0	90-120	3.	NA.	.5
0- 40	203.	NA.	40.2	90-130	3.	NA.	.5
0- 60	426.	NA.	84.5	90-150	3.	NA.	.5
0- 90	502.	NA.	99.5	90-180	3.	NA.	.5
TOTAL LUMINAIRE =				0-180	504.	NA.	100.0

SIGNIFICANCE OF THE TEST IS LIMITED TO THE DEGREE THAT THE TESTED SAMPLE IS REPRESENTATIVE. OTHER FACTORS AFFECT FIELD PERFORMANCE.

BALLABS CERTIFIED TEST REPORT NO.: 18413.0
 DESCRIPTION: 1-(22LED) 12W WALL MOUNT LUMINAIRE

DATE 09/05/14

CLEAR ACRYLIC LENS OVER LEDS w/FROSTED ACRYLIC SIDE LENSES

CATALOG NBR: 106F-LE800C

LAMP TYPE : PCB-799 REV 6.0 RATED LUMENS NA. NBR. LAMPS:- 1

CANDLEPOWER DISTRIBUTION
 0 DEGREE PLANE CONTAINS MAXIMUM CANDLEPOWER

VERT	HORIZONTAL									LUMENS		TOTAL
	.0	22.5	45.0	67.5	90.0	112.5	135.0	157.5	180.0	FRONT	BACK	
0	19.	19.	19.	19.	19.	19.	19.	19.	19.			
5	35.	37.	37.	31.	27.	35.	26.	17.	14.	1.6	1.2	2.9
10	67.	67.	74.	60.	52.	53.	43.	26.	17.			
15	101.	96.	97.	83.	91.	81.	73.	55.	36.	12.7	9.6	22.3
20	142.	129.	122.	112.	130.	118.	107.	73.	58.			
25	194.	169.	161.	154.	185.	155.	156.	89.	73.	37.3	28.3	65.6
30	242.	202.	200.	184.	238.	195.	191.	79.	31.			
35	266.	222.	220.	206.	252.	220.	211.	66.	6.	67.3	44.8	112.1
40	274.	232.	228.	215.	251.	223.	207.	60.	1.			
45	242.	212.	215.	202.	232.	210.	194.	50.	0.	80.3	50.2	130.5
50	180.	156.	176.	168.	209.	190.	170.	37.	6.			
55	125.	104.	120.	104.	160.	150.	142.	56.	66.	46.8	46.2	93.0
60	89.	71.	72.	61.	101.	104.	98.	45.	86.			
65	66.	50.	45.	38.	66.	62.	55.	43.	66.	21.9	26.2	48.1
70	43.	31.	27.	27.	40.	38.	29.	26.	43.			
75	26.	17.	15.	14.	21.	22.	16.	17.	24.	8.2	10.5	18.7
80	14.	10.	9.	10.	12.	0.	6.	7.	14.			
85	10.	10.	6.	9.	9.	6.	4.	6.	6.	5.1	3.4	8.5
90	6.	5.	6.	2.	5.	4.	2.	1.	5.			
95	6.	4.	2.	2.	2.	1.	0.	2.	2.	1.7	1.0	2.7
100	6.	6.	4.	4.	4.	2.	2.	1.	4.			
105	2.	0.	1.	0.	0.	0.	2.	0.	0.	0.	0.	0.
110	6.	4.	4.	0.	0.	2.	4.	0.	0.			
115	0.	0.	0.	0.	0.	0.	0.	0.	0.	0.	0.	0.
120	2.	0.	0.	0.	0.	0.	0.	0.	0.			
125	0.	0.	0.	0.	0.	0.	0.	0.	0.	0.	0.	0.
130	0.	0.	0.	0.	0.	0.	0.	0.	0.			
135	0.	0.	0.	0.	0.	0.	0.	0.	0.	0.	0.	0.
140	0.	0.	0.	0.	0.	0.	0.	0.	0.			
145	0.	0.	0.	0.	0.	0.	0.	0.	0.	0.	0.	0.
150	0.	0.	0.	0.	0.	0.	0.	0.	0.			
155	0.	0.	0.	0.	0.	0.	0.	0.	0.	0.	0.	0.
160	0.	0.	0.	0.	0.	0.	0.	0.	0.			
165	0.	0.	0.	0.	0.	0.	0.	0.	0.	0.	0.	0.
170	0.	0.	0.	0.	0.	0.	0.	0.	0.			
175	0.	0.	0.	0.	0.	0.	0.	0.	0.	0.	0.	0.
180	0.	0.	0.	0.	0.	0.	0.	0.	0.			

USE .396 FT. AS LENGTH AND .396 FT. AS WIDTH

BALLABS CERTIFIED TEST REPORT NO.: 18413.0
DESCRIPTION: 1-(22LED) 12W WALL MOUNT LUMINAIRE

DATE 09/05/14

CLEAR ACRYLIC LENS OVER LEDS w/FROSTED ACRYLIC SIDE LENSES

CATALOG NBR: 106F-LE800C

LAMP TYPE : PCB-799 REV 6.0

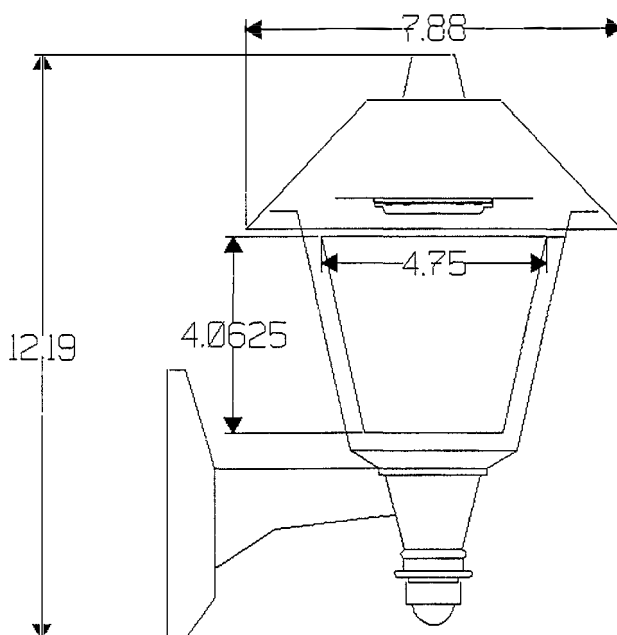
RATED LUMENS

NA. NBR. LAMPS:- 1

ELECTRICAL CHARACTERISTICS 120.0V .1138A 13.321W

LUMINOUS EFFICACY (LUMENS / WATTS) = 37.9

TESTED IN ACCORDANCE WITH CURRENT IES STANDARDS
UTILIZING ABSOLUTE PHOTOMETRY PER LM-79-08



Ø DEGREE PLANE →

