

VISION 3 LIGHTING

MR16 Dual Wall Mount **MODEL WM6** 12V 87W Max. total both lamps, Dual MR16 Halogens 12V 7.5W ea., 12/24V 6W ea., or 12V 10W ea., Dual LED

Specifications

Material

Available in machined 6061-T6 aluminum, C36000 brass, or 304 stainless steel.

Cap

Machined caps lock in place with 18-8 stainless steel set screws, and are sealed to the body with a high temperature silicone O-ring. Round C2 & C4 caps have drain holes for water drainage from top of lens. Square caps feature removable and field interchangeable cutoffs with 'flow-through' design for 360° drainage with no light leak. 'Flush Lens' cap styles incorporate a stepped lens to reduce the collection of water and debris on the lens.

Mount Canopy

Available with the following mount options: MO3 (Machined Round Canopy), MO15 (Machined Square Canopy), and MO12 (Surface Mount Powered Canopy). Stem is permanently attached to the mount canopy to prevent loosening. MO3 & MO15 mount options come mounted to a steel universal mounting ring for ease of mounting and adjustment on an industry standard round junction box. See mount specification sheets for more information. (Mount canopy must be mounted to an appropriate wall or junction box, in such a manner that is capable of holding the weight of the fixture. Junction box and hardware not included).

Finish

TGIC thermo set polyester powder coat paint available in 14 standard colors. On aluminum model, finish is applied over a corrosion resistant, hexavalent chromium free, RoHS compliant coating. Aluminum model available in one additional metal finish: Clear Anodized. Brass model available in three additional metal finishes: Natural, Polished, and Aged. Stainless steel model available in three additional metal finishes: Natural, Polished, and Brushed.

Socket

Two GY-6.35 porcelain sockets with 600V, 250°C, PTFE coated 18 ga leads.

Lens

Tempered, clear lenses, secured to caps with a high temperature, UV curing, silicone adhesive.

Lamps

MR16 Halogen: Two 12V bi-pin lamps up to 50W each (maximum allowable combined wattage depends on model and application. See **Certification** heading).
Integral LED: Two 12-24V AC/DC 6W (400lm) or two 12V AC/DC 10W (700lm) LED modules, each includes integral driver with High/Low switch for 35W/20W (6W) or 50W/35W (10W) halogen equivalent outputs. LED Modules are field replaceable and feature replaceable lenses, an L70 > 60,000 hrs., dynamic transformer

recognition, phase dimming (see Transformer and Dimmer Compatibility List), and patented LEDSense® thermal management.

Retrofit MR16 LED: Two 12V 7.5W (600lm) bi-pin retrofit Sora™ MR16 LED lamps with specially engineered heat sink mounts to ensure proper heat transfer to body. Note: Retrofit LED will overheat without supplied heat sink mount.

Certification

CSA tested & certified to US and Canadian safety standards for wet location wall mount use (UL1598):

MO12 Mount Options

- WM6A (w/o transformer) - 87W Max.*
- WM6A (w/ transformer) - 55W Max.*
- WM6B - 40W Max.*
- WM6S - not available.

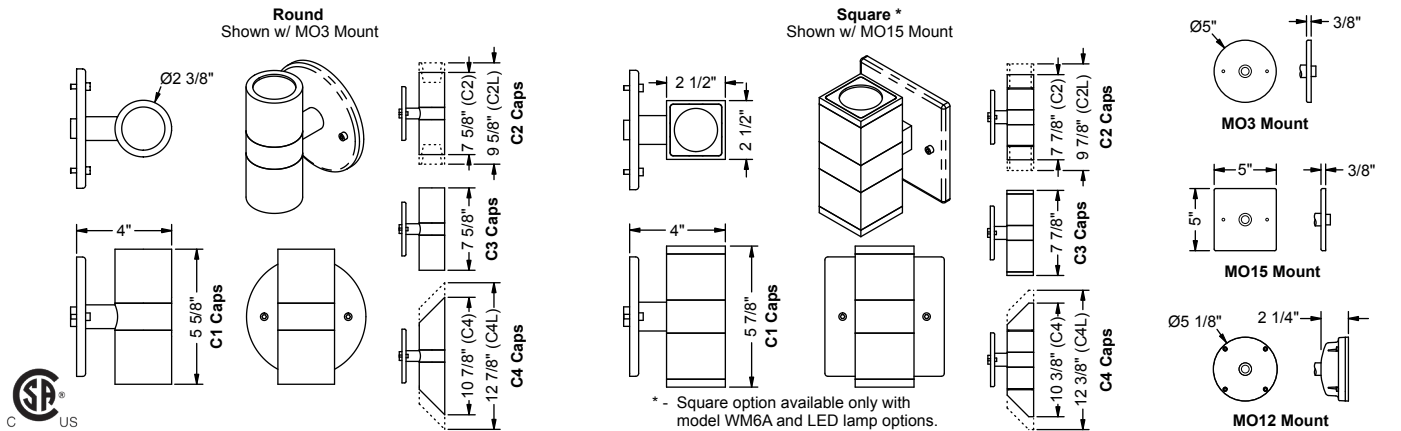
MO3 and MO15 Mount Options

- WM6A (remote transformer) - 55W Max.*
- WM6A (transformer in j-box) - 40W Max.*
- WM6B - 40W Max.*
- WM6S - 40W Max.*

* -maximum MR16 Halogen wattage total for both lamps.

LED options can be used in all models and applications.

All ratings subject to change without notice. See website or contact V3 for most current info.



Ordering Information

Model	Shape	Cap Style ³ (Up/Down)	Mount ⁴	Lamp ³ (Up/Down)	Lens Accy ^{3,8} (Up/Down)	Filter ^{3,8} (Up/Down)	Louver ^{3,8} (Up/Down)
WM6A - Aluminum WM6B - Brass ² WM6S - Stainless ^{1,2}	RND - Round SQ - Square ^{1,2}	Standard Lens: C1 - Flush C2 - Regress Lens C2L - Regress Lens, Long C3 - Regress Lamp C4 - 45° Angled C4L - 45° Angled, Long	Remote Transformer Required: MO3 - Round Canopy MO15 - Square Canopy MO12 - Surface Mount Canopy ¹ Integral Transformer: MO12-75-120 - MO12 w/ 75W, 120V ¹ MO12-75-230 - MO12 w/ 75W, 230V ^{1,5} MO12-75-277 - MO12 w/ 75W, 277V ^{1,5}	Integral LED (3000K, >80 CRI): ^{5,7,8} 116 - 6W, 12° 141 - 10W, 12° 117 - 6W, 21° 142 - 10W, 21° 118 - 6W, 41° 143 - 10W, 41° Retrofit MR16 LED (3000K, 90 CRI): ^{5,7,9} 155 - 7.5W, 10° 156 - 7.5W, 25° 157 - 7.5W, 36° MR16 Halogen: ^{2,6}	0 - None L1 - Spread L2 - Linear L3 - Softening	0 - None F4 - Green F1 - Red F5 - Amber F2 - Blue F6 - Pink F3 - Light Blue F7 - Mercury Vapor	0 - None H1 - Hex
Finish		Flush Lens:		Notes:			
Powder Coat Finishes: BLT - Textured Black BNT - Textured Bronze BAT - Textured Bark GRT - Textured Green GNT - Textured Granite SAT - Textured Sand PAT - Textured Patina EAT - Textured Earth		C1F - Flush C2F - Regress Lens C2LF - Regress Lens, Long C3F - Regress Lamp C4F - 45° Angled C4LF - 45° Angled, Long		0 - None 01 - ESX, 20W, 12° 02 - BAB, 20W, 40° 03 - FRB, 35W, 12° 04 - FRA, 35W, 23° 05 - FMW, 35W, 40° 09 - EXT, 50W, 13° 10 - EXZ, 50W, 26° 11 - EXN, 50W, 40° 12 - FNV, 50W, 60°			
Metal Finishes: CLA - Clear Anodized (WM6A only) NAT - Natural (WM6B & WM6S only) POL - Polished (WM6B & WM6S only) AGE - Aged (WM6B only) BRU - Brushed (WM6S only)		BL - Black BN - Bronze WI - White SI - Silver GY - Grey BE - Beige		1. MO12 mount option not available with model WM6S or shape SQ. 2. SQ shape available with model WM6A and LED lamps only. 3. Specify Cap, Lamp, Lens Accy, Filter, and Louver options for the up and down position. See ordering example below. 4. See MO3, MO12, or MO15 specification sheet for mount details. 5. Only power LED options with V3 approved transformers. LED lamp options may not be compatible with MO12-75-230 and MO12-75-277 mounts. Contact V3 for mount, transformer, or dimmer compatibility info. 6. Allowable lamp wattage depends on model and mount. See Certification heading above. 7. Other LED color temperatures available as a special order. 8. Only two lens accessories can be used with Integral LED. 9. Use only approved Retrofit MR16 LED lamps and supplied heat sink mount, otherwise LED may overheat. 10. Specifications, certifications, and ordering information are subject to change. Please check website for latest specification sheets.			

Example: **WM6A - SI - RND - C2F/C2 - MO15 - 01/01 - L1/0 - 0/0 - H1/0**