

VISION-3 LIGHTING

MR16 Dual Sign Light **MODEL SL6**

12V 50W Max. ea., Dual MR16 Halogen

12V 7.5W ea, 12/24V 6W ea., or 12V 10W ea., Dual LED

Specifications

Material

Machined 6061-T6 aluminum.

Head

Machined heads come in two styles: Side Mount and Rear Mount. (See illustration for aiming capabilities of each head.)

Stem

1" diameter machined stem comes in various stem lengths and three stem styles: Straight, 180° U-Bend, and 90° Gooseneck. (See illustration for calculating overall projection from wall for each stem style.)

Knuckle

A Rotate and Lock knuckle (protected under U.S. Patents #6,966,679, #7,108,405 and #7,458,552) mounts each head and allows for adjustability. Double taper design allows fixture to hold position during aiming and ensures a solid lock when tightened. Integral LED models have molded silicone wire seals to prevent water entry at knuckles.

Cap

Machined caps lock in place with one 18-8 stainless steel set screw, and are sealed to the body with a high temperature silicone O-ring. Regress Lens caps have drain holes for water drainage from top of lens if mounted in the up position. 'Flush Lens' cap styles incorporate a stepped lens to reduce the collection of water and debris on the lens. All caps accept up to three internal accessories, held in place by a stainless steel clip.

Mount Canopy

Available with the following mount options: MO3 (Machined Round Canopy), MO15 (Machined Square Canopy), and MO12 & MO13 (Surface Mount Powered Canopies). See mount specification sheets for more information. (Mount canopy must be mounted to an appropriate wall or junction box, in such a manner that is capable of holding the weight and torque created by the fixture. Junction box and hardware not included).



Finish

TGIC thermo set polyester powder coat paint available in 14 standard colors. Finish is applied over a corrosion resistant, hexavalent chromium free, RoHS compliant coating. Also available in one additional metal finish: Clear Anodized.

Lens

Tempered, clear lenses, secured to caps with a high temperature, UV curing, silicone adhesive.

Socket

Two GY-6.35 porcelain sockets with 600V, 250°C, PTFE coated 18 ga leads.

Lamps

MR16 Halogen: Two 12V bi-pin lamps up to 50W each.

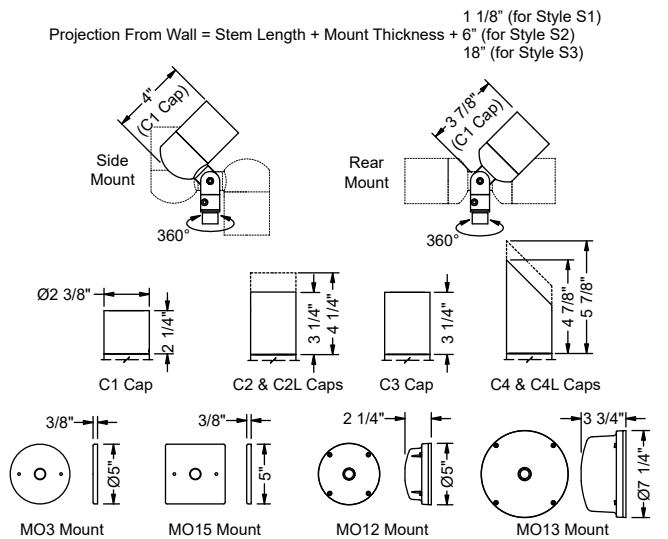
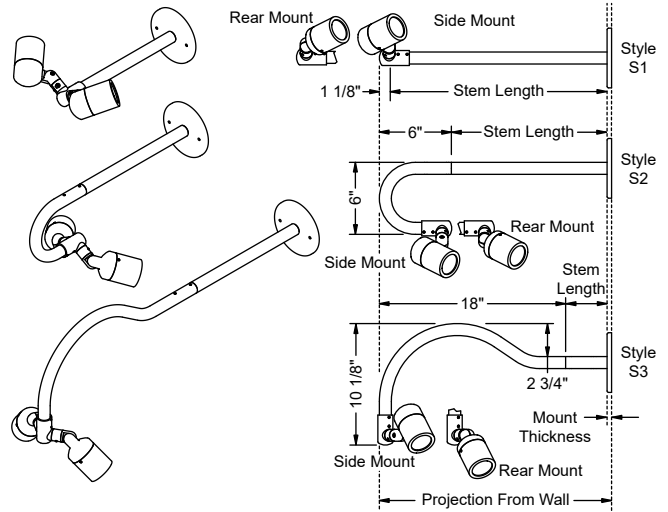
Integral LED: Two 12-24V AC/DC 6W (400lm) or two 12V AC/DC 10W (700lm) LED modules, each includes integral driver with High/Low switch for 35W/20W (6W) or 50W/35W (10W) halogen equivalent outputs. LED Modules are field replaceable and feature replaceable lenses, an L70 > 60,000 hrs., dynamic transformer recognition, phase dimming (see Transformer and Dimmer Compatibility List), and patented LEDSense® thermal management.

Retrofit MR16 LED: Two 12V 7.5W (600lm) bi-pin retrofit Soraa™ MR16 LED lamps with specially engineered heat sink mounts to ensure proper heat transfer to body. Note: Retrofit LED will overheat without supplied heat sink mount.

Certification

CSA tested & certified to US and Canadian safety standards for wet location wall mount use per UL1598 (Must be mounted in such a manner to properly support the fixture).

All ratings subject to change without notice. See website or contact V3 for most current info.



Ordering Information

Model	Head	Stem ¹	Mount ²	Lamp	Lens Accy ³	Filter ³	Louver ³
SL6A - Aluminum	SM - Side Mount RM - Rear Mount	6 - 6" Stem 12 - 12" Stem 18 - 18" Stem 24 - 24" Stem 30 - 30" Stem 36 - 36" Stem 42 - 42" Stem 48 - 48" Stem	Remote Transformer Required: MO3 - Round Canopy MO15 - Square Canopy MO12 - Surface Mount Canopy MO13 - Surface Mount Canopy Integral Transformer: ⁵ MO12-75-120 - MO12 w/ 75W, 120V MO12-75-230 - MO12 w/ 75W, 230V MO12-75-277 - MO12 w/ 75W, 277V MO13-75-120 - MO13 w/ 75W, 120V MO13-75-230 - MO13 w/ 75W, 230V MO13-75-277 - MO13 w/ 75W, 277V MO13-150-120 - MO13 w/ 150W, 120V MO13-150-277 - MO13 w/ 150W, 277V	Integral LED (3000K, >80 CRI): ^{3,4,5} 116 - 6W, 12° 141 - 10W, 12° 117 - 6W, 21° 142 - 10W, 21° 118 - 6W, 41° 143 - 10W, 41° Retrofit MR16 LED (3000K, 90 CRI): ^{4,5,6} 155 - 7.5W, 10° 156 - 7.5W, 25° 157 - 7.5W, 36° MR16 Halogen: 0 - None 01 - ESX, 20W, 12° 02 - BAB, 20W, 40° 03 - FRB, 35W, 12° 04 - FRA, 35W, 23° 05 - FMW, 35W, 40° 09 - EXT, 50W, 13° 10 - EXZ, 50W, 26° 11 - EXN, 50W, 40° 12 - FNV, 50W, 60°	0 - None L1 - Spread L2 - Linear L3 - Softening	0 - None F4 - Green F5 - Amber F6 - Pink F7 - Mercury Vapor	0 - None H1 - Hex
Finish	Cap Style	Style					
Powder Coat Finishes: BLT - Textured Black BNT - Textured Bronze BAT - Textured Bark GRT - Textured Green GNT - Textured Granite SAT - Textured Sand PAT - Textured Patina EAT - Textured Earth	BL - Black BN - Bronze WI - White SI - Silver GY - Grey BE - Beige	S1 - Straight S2 - 180° U-Bend (available with 12" up to 42" stem option) S3 - 90° Gooseneck (available with up to 30" stem option)					
Metal Finishes: CLA - Clear Anodized	Standard Lens: C1 - Flush C2 - Regress Lens C2L - Regress Lens, Long C3 - Regress Lamp C4 - 45° Angled C4L - 45° Angled, Long						
	Flush Lens: C1F - Flush C2F - Regress Lens C2LF - Regress Lens, Long C3F - Regress Lamp C4F - 45° Angled C4LF - 45° Angled, Long						

- Notes:**
- Other stem lengths are available upon request. Consult your Vision3 Lighting sales representative.
 - See MO3, MO12, MO13, MO15 specification sheet for mount details.
 - Only two lens accessories can be used with Integral LED.
 - Other color temperatures & CRI's available as a special order.
 - Only power LED options with V3 approved transformers. LED lamp options may not be compatible with 230V and 277V input. Contact V3 for compatibility info.
 - Use only approved Retrofit MR16 LED lamps and supplied heat sink mount, otherwise LED may overheat.
 - Specifications, certifications, and ordering information are subject to change. Please check website for latest specification sheets.

Example: **SL6A - BN - SM - C1F - S1 - 18 - MO3 - 07 - L1 - 0 - 0**