

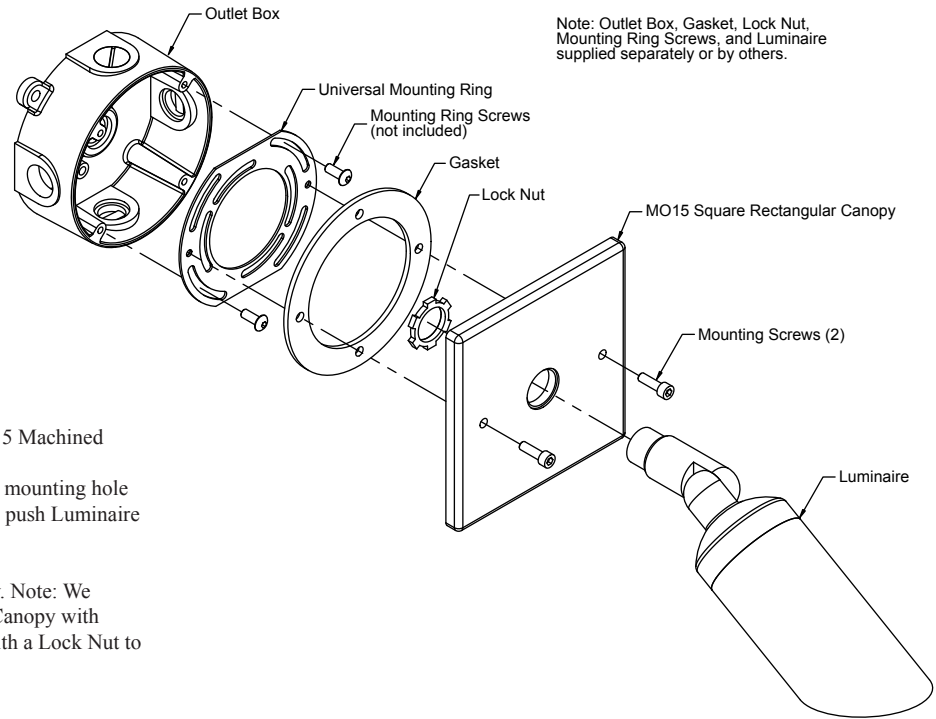
Installation Instructions

INSTRUCTIONS PERTAINING TO A RISK OF FIRE, OR INJURY TO PERSONS.

IMPORTANT SAFETY INSTRUCTIONS. SAVE THESE INSTRUCTIONS.

(Failure to follow the warnings and instructions on this sheet could result in fire, injury, failure of product, and/or voiding of warranty.)

1. Do not touch luminaire while lamp is on. Turn off/unplug and allow to cool before replacing lamp.
2. Lamp gets HOT quickly! Contact only switch/plug when turning on.
3. Do not touch hot lens, body, cap or knuckle.
4. Keep lamp away from materials that may burn.
5. Do not touch lamp at any time. Use a soft cloth. Oil from your skin may damage lamp.
6. Do not operate the luminaire with damaged or missing parts.
7. Do not disassemble luminaire beyond cap removal to facilitate lamp and/or accessory installation or replacement.
8. Remove any debris accumulated in the cap periodically.
9. Do not install luminaire within 10 feet of a pool, spa, or fountain.
10. Have fixture installed in accordance with all applicable installation codes and standards by a person familiar with the construction and operation of the fixture and the hazards involved.
11. Use only cable rated for low voltage. Cable buried more than 6" must be suitable for direct burial. Direct burial cable may be ordered from Vision3 Lighting.



Mount Fixture on Canopy:

1. Caution! Luminaire will be hot if lamp is on.
2. Feed leads from Luminaire through hole in MO15 Machined Square Canopy.
3. If MO15 Machined Square Canopy has threaded mounting hole option, thread Luminaire into canopy, otherwise, push Luminaire through hole in canopy.
4. Feed Luminaire leads through Lock Nut.
5. Tighten Lock Nut to secure Luminaire to canopy. Note: We recommend using the MO15 Machined Square Canopy with threaded mounting hole option in conjunction with a Lock Nut to ensure that the Luminaire is firmly secured.

Mount Canopy on Outlet Box:

1. Install and wire the Outlet Box per applicable standards and codes.
2. The MO15 Canopy is shipped completely assembled, so the Universal Mounting Ring must be removed before the Canopy can be mounted to the Outlet Box. Unscrew the two (2) Mount screws with a 5/32" hex wrench to remove the Universal Mounting Ring.
3. Mount the Universal Mounting Ring to the Outlet box using appropriately sized Mounting Ring Screws (not supplied). Note: Adjust the Universal Mounting Ring so the canopy will be properly oriented when mounted.
4. Feed Luminaire leads through Gasket.
5. Connect Luminaire leads to power supply wires using the appropriate connectors per applicable codes. Note: Be sure rating on the Luminaire label matches the power being supplied by power supply leads.
6. Using the supplied Mount Screws, and a 5/32" hex wrench, mount the MO15 Canopy and Gasket to the Universal Mounting Ring. Note: Ensure that Gasket is not pinched and fully covers the flat sealing surface of the outlet box.
7. If the Canopy is not oriented correctly, remove, adjust the Universal Mounting Ring, and re-install.