

# VISION-3 LIGHTING

LED Sealed Ingrade **MODEL IG6**  
 100-277V 20W Max. LED w/ Integral Driver  
 16W Max. COB LED w/ Driver

## Specifications

### Housing

Cast C84400 bronze housing. Four 3/4" NPT conduit entries allow for side entry or bottom entry conduit connection. Water tight pass-thru, in conjunction with included silicone filled wire-nuts, prevents water from entering the housing in the event of the wiring compartment becoming flooded. IP68 rated to a depth of 1 ft. for 60 hours. Optional concrete pour collar available in material and finish to match the faceplate.

### Mounting

Optional mount stand, with or without grout mask, can be used as a stand alone installation mount or tied to a rebar grid for easy mounting and alignment.

### Lens

Tempered, 1/4" thick, stepped lens allows for flush mounting. Optional Slip Reduction Lens increases wet lens friction by over 50%. Molded, high temperature, silicone lens gasket compresses around lens between faceplate and housing for a water tight seal. Both lens and seal are removable for cleaning or replacement.

### Faceplate

Available in cast or machined C84400 bronze or machined 316 stainless steel. Attaches using six 18-8 stainless steel captive screws. Optional Glare Shield, Half Dome, Marker Light, and Rock Guard faceplates available in cast C84400 bronze and allow 360° of rotational alignment. Optional Flanged faceplate available in machined brass or 316 stainless steel.

### Lamp Module & Aiming

Lamp Module allows for one tool 'hot aiming' with 18° vertical and 360° rotational adjustment without having to touch hot LED. Module brackets constructed from black anodized 6061-T6 aluminum. Accessory holder is integral to Lamp Module and accepts up to two lens options.

### Finish

Available in 14 standard TGIC thermo set polyester powder coat paint colors. Cast Bronze faceplates available in two additional finishes: Natural and Aged. Machined Brass faceplates available in three additional finishes: Natural, Aged, and Polished.



Machined Stainless faceplates available in three additional finishes: Natural, Brushed, and Polished. Optional pour collar finished to match faceplate.

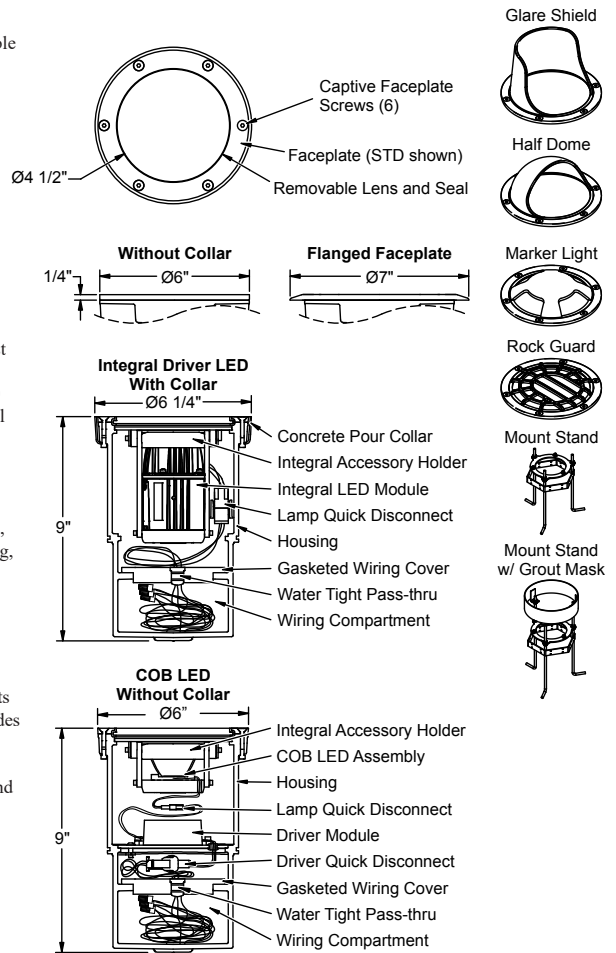
### LED

**Integral Driver LED:** 100 to 277 VAC (50/60 Hz) input, 20W max. power (17W@120V, 20W@277V). LED lamp features: integral driver, 1280 lm max output, 75 lm/W max efficacy, field changeable optics (15°, 23°, 35° & 51°), push button selection of light level (100%, 80%, 55% & 18%), 120V phase dimming at highest (100%) light level (see Dimmer Compatibility List), an L70 of 60,000 hrs., and patented LEDSense® thermal management to ensure reliability and lumen maintenance. Note: thermal management system may cause power input and light output to vary slightly depending on fixture material, orientation, lens accessories, mounting, and ambient temperature.

**COB LED:** COB LED package includes a COB LED module and a 350mA driver module, both field replaceable. COB LED options use modular industry standard components to simplify future upgrades and includes features like: performance of 1800 lm, 16W max input (@350mA), field replaceable optics (20°, 30° & 50°), and an L70 > 55,000 hrs.

### Certification

IP68 rated to a depth of 1 ft. for 60 hours. Drive over durable for up to 5300 lb vehicles, at up to 10 mph ('STD', 'ML1', 'ML2', or 'ML4' faceplates only. Other faceplate options are not suitable for drive over applications). CSA tested & certified to US and Canadian safety standards for wet location landscape use.



Note: All ratings subject to change without notice. See web site or contact V3 for most current info.

## Ordering Information

Model	Housing Style	Finish <sup>1</sup>	Faceplate Style	Lens Style	Light Engine	Driver	Lens Accy <sup>2</sup>	Filter <sup>2,4</sup>	Louver <sup>2</sup>	Accessories
IG6C - Cast Bronze Faceplate IG6B - Machined Brass Faceplate IG6S - Machined Stainless Faceplate	SH - Short SH-PC - Short w/ Pour Collar <sup>5</sup>	<b>Powder Coat Finishes:</b> BLT - Textured Black BNT - Textured Bronze BAT - Textured Bark GRT - Textured Green GNT - Textured Granite SAT - Textured Sand PAT - Textured Patina EAT - Textured Earth <b>Metal Finishes:</b> NAT - Natural POL - Polished (IG6B & IG6S only) AGE - Aged (IG6C & IG6B only) BRU - Brushed (IG6S only)	STD - Standard HD - Half Dome (IG6C only) RG - Rock Guard (IG6C only) GS - Glare Shield (IG6C only) FL - Flanged (IG6B & IG6S only) <sup>5</sup> ML1 - Marker Light, 1 port (IG6C only) ML2 - Marker Light, 2 ports@180° (IG6C only) ML4 - Marker Light, 4 ports@90° (IG6C only)	STD - Standard SLR - Slip Reduction	<b>Integral Driver LED<sup>3</sup>:</b> 137 - 15°, 3000K, >80 CRI 138 - 23°, 3000K, >80 CRI 139 - 35°, 3000K, >80 CRI 140 - 51°, 3000K, >80 CRI <b>COB LED<sup>4</sup>:</b> C01-X-XX-XX CRI CCT Optics 8 - >80 27 - 2700K 20 - 20° 9 - >90 30 - 3000K 30 - 30° 35 - 3500K 50 - 50° 40 - 4000K	<b>Integral Driver LED:</b> 0 - None <b>COB LED:</b> 16-UNV-350-Z - 16W, 120-277V, 350mA, no dimming 16-120-350-P - 16W, 120V, 350mA, phase dimming	0 - None L1 - Spread L2 - Linear L3 - Softening	0 - None F1 - Red F2 - Blue F3 - Lt. Blue F4 - Green F5 - Amber F6 - Pink	0 - None H1 - Hex	0 - None MS - Mount Stand GM - Mount Stand w/ Grout Mask

- Notes:**
1. Finish applies to faceplate and pour collar only.
  2. Only two lens options may be specified.
  3. Integral Driver LED lamp options available in other color temperatures and / or CRI's (contact V3 for info).
  4. Color filter option can not be used with COB LED options.
  5. Flanged (FL) faceplate can not be used with the pour collar option.
  6. Specifications, certifications, and ordering information are subject to change. Please check website for latest specification sheets.

Example: **IG6C - NAT - SH - GS - STD - C01-8-27-20 - 16-120-350-P - 0 - 0 - H1 - MS**