

VISION-3 LIGHTING

MR16 Square Well Light **MODEL IG1**
 12V 20W Max., MR16 Halogen
 12V 7.5W, 12/24V 6W, or 12V 10W LED

Specifications

Housing

Cast C84400 bronze collar attached to an ABS plastic housing using 18-8 stainless steel hardware.

Lamp Holder

Machined 6061-T6 aluminum cap attached to a machined 6061-T6 aluminum body using one 18-8 stainless steel set screw, and sealed with a high temperature silicone O-ring. Cap and body are black anodized. Cap accepts up to three internal accessories, held in place by a stainless steel clip. Lamp holder is supplied with 6' of cable. Cable exit sealed with a water tight strain relief fitting.

Aiming

Lamp holder is attached to 304 stainless steel bracketry, allowing full 360° rotational, and ±19° vertical aiming. Bracketry is mounted to C84400 cast bronze collar, allowing adjustment with faceplate removed. 18-8 stainless steel hardware locks lamp holder in place after adjustment.

Faceplate

Cast C84400 bronze faceplate available in standard or slotted option. Both faceplates available with Tamper Proof option (with 18-8 stainless steel mount hardware) or Non-Tamper Proof option (without mount hardware).

Finish

TGIC thermo set polyester powder coat paint available in 14 standard colors. Also available in two additional bronze finishes: Natural and Aged.

Lens

Tempered, clear lens, secured to cap with a high temperature, UV curing, silicone adhesive. Stepped, flush lens reduces collection of water and debris on the lens.

Socket

GY-6.35 porcelain socket with 600V, 250°C, PTFE coated 18 ga leads.

Lamps

MR16 Halogen: 12V bi-pin up to 20W (See Certification heading).

Integral LED: 12-24V AC/DC 6W (400lm) or 12V AC/DC 10W (700lm) LED options include integral driver with High/Low switch for 35W/20W (6W) or 50W/35W (10W) halogen equivalent outputs. LED Modules are field replaceable and feature replaceable lenses, an L70 > 60,000 hrs., dynamic transformer recognition, phase dimming (see Transformer and Dimmer Compatibility List), and patented LEDSense® thermal management.

Retrofit MR16 LED: 12V 7.5W (600lm) bi-pin retrofit Soraa™ MR16 LED lamp with specially engineered heat sink mount to ensure proper heat transfer to body. Note: Retrofit LED will overheat without supplied heat sink mount.

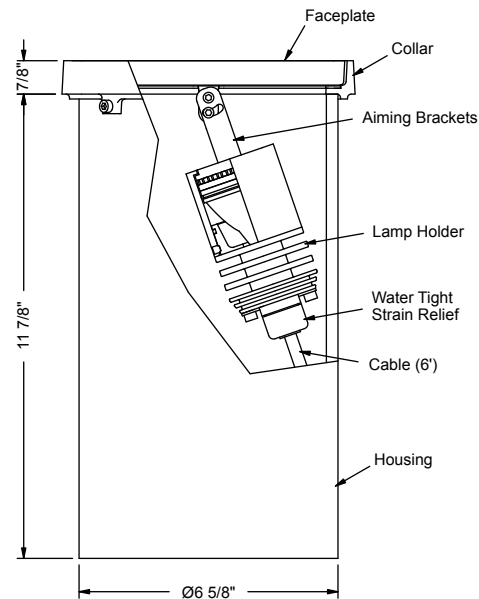
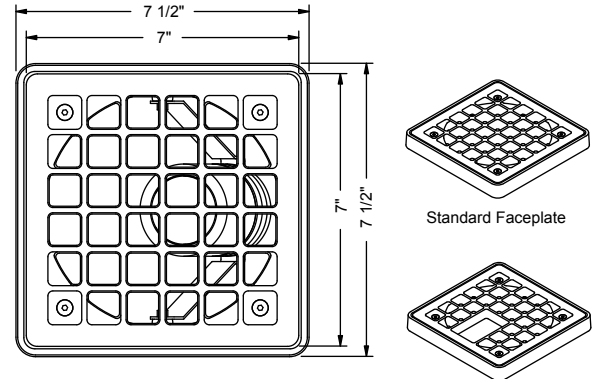
Certification

CSA tested & certified to US and Canadian safety standards for the following applications:

Wet location landscape use (UL1838):
IG1B - 20W Max. MR16 Halogen lamp.

LED options can be used in all models and applications.

All ratings subject to change without notice. See website or contact V3 for most current info.



Ordering Information

Model	Faceplate	Lamp	Lens Accy ¹	Filter ¹	Louver ¹
IG1B - Cast Bronze	Standard: TP - Tamper Proof (w/ mount screws) NTP - Non-Tamper Proof (w/o mount screws)	Integral LED (3000K, >80 CRI): ^{1,2,3} 116 - 6W, 12° 117 - 6W, 21° 118 - 6W, 41°	L1 - Spread Lens L2 - Linear Lens L3 - Softening Lens	F1 - Red F2 - Blue F3 - Light Blue	H1 - Hex
Finish	Slotted: STP - Tamper Proof (w/ mount screws) SNTP - Non-Tamper Proof (w/o mount screws)	MR16 Halogen: 0 - None 01 - ESX, 20W, 12° 02 - BAB, 20W, 40°		F4 - Green F5 - Amber F6 - Pink F7 - Mercury Vapor	
Powder Coat Finishes: BLT - Textured Black BNT - Textured Bronze BAT - Textured Bark GRT - Textured Green GNT - Textured Granite SAT - Textured Sand PAT - Textured Patina EAT - Textured Earth	BL - Black BN - Bronze WI - White SI - Silver GY - Grey BE - Beige	Retrofit MR16 LED (3000K, 90 CRI): ^{2,3,4} 155 - 7.5W, 10° 156 - 7.5W, 25° 157 - 7.5W, 36°			
Metal Finishes: NAT - Natural (IG1B only) AGE - Aged (IG1B only)					

Notes:

- Only two lens accessories can be used with Integral LED.
- Only power LED lamp options with approved transformers (contact V3 for transformer and dimmer compatibility info).
- LED available with other color temperatures as a special order. Consult your V3 sales rep.
- Use only approved Retrofit MR16 LED lamps and supplied heat sink mount, otherwise LED may overheat.
- Specifications, certifications, and ordering information are subject to change. Please check website for latest specification sheets.

Example: **IG1B - NAT - TP - 01 - 0 - F2 - H1**