

Installation Instruction Sheet

Linear Fixtures

INSTALLATION INSTRUCTIONS FOR JOINING AND SUSPENDING FIXTURES

WARNING

To reduce the risk of death, injury or property damage from fire, electric shock, cuts, abrasions, falling parts and other hazards:

- Service of the equipment must be performed by qualified service personnel.
- Installation and maintenance must be performed by a person familiar with the construction and operation of this product and any hazards involved. All applicable codes and ordinances must be followed.
- Read this document before installing, servicing or maintaining this equipment. These instructions do not cover all installation, service and maintenance situations. If your situation is not covered, or, if you do not understand these instructions or additional information is required, contact Lux Illuminaire or your local agent.
- Read and follow all warnings and instructions provided by the LED manufacturer.

WARNING

- Before installing, servicing or maintaining this equipment, follow these general precautions. To reduce the risk of electrocution:
- Make sure the equipment is properly grounded.
- Always de-energize the circuit and/or equipment before connecting to, disconnecting from or servicing the equipment.

NOTICE—This equipment has not been evaluated for compliance with Article 700 of the National Electrical Code ANSI/NFPA 70”, or the equivalent:

To prevent luminaire row from over-current:

- By adding the input current of each luminaire section marked on the luminaire, the total current per power feed must not exceed the maximum line wire amperage marked on the luminaire and the power feed cord/wire amperage rating whichever is the least.

To reduce the risk of fire:

- Keep material away that can burn from hot LEDs.
- Make sure LED boards are correctly installed.
- Use supply conductors with a minimum installation temperature rating as specified on equipment.

To reduce the risk of personal injury from cuts, abrasions or falling parts:

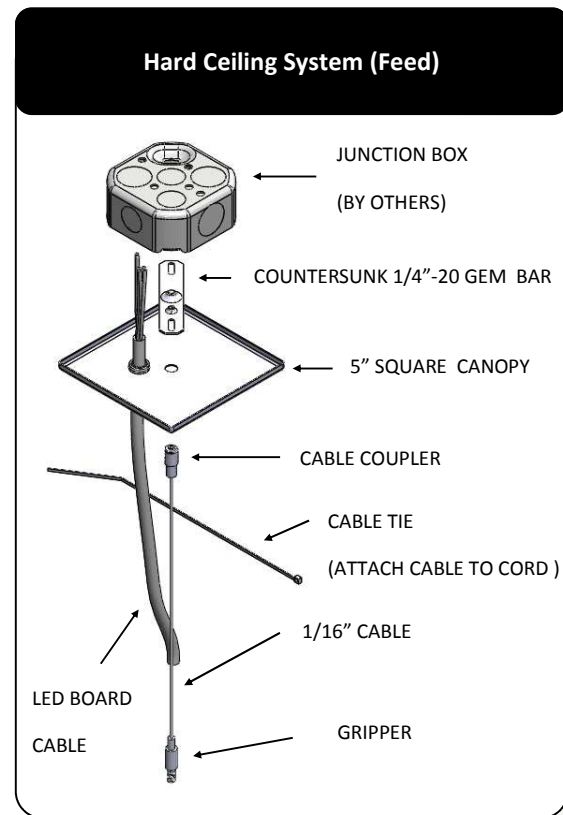
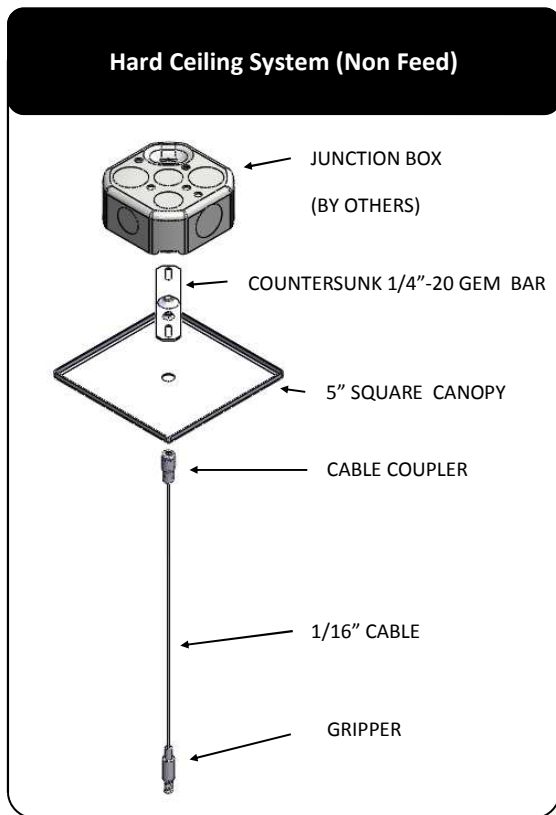
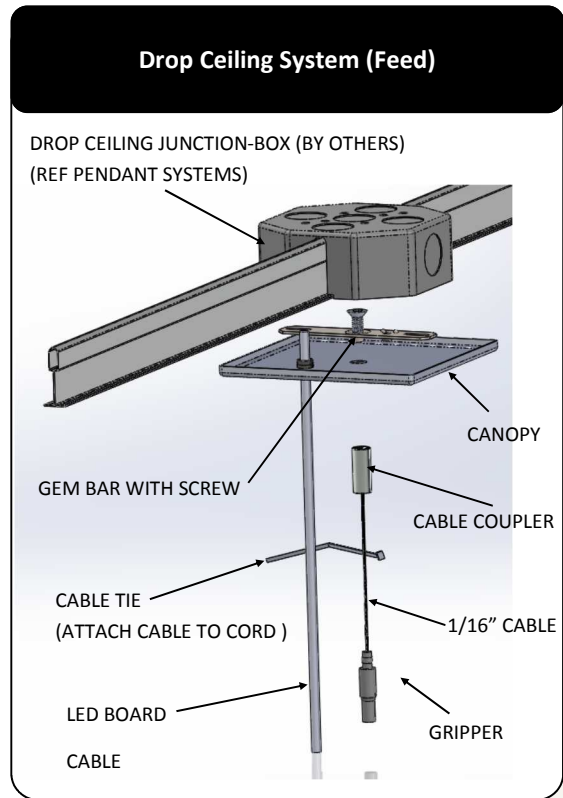
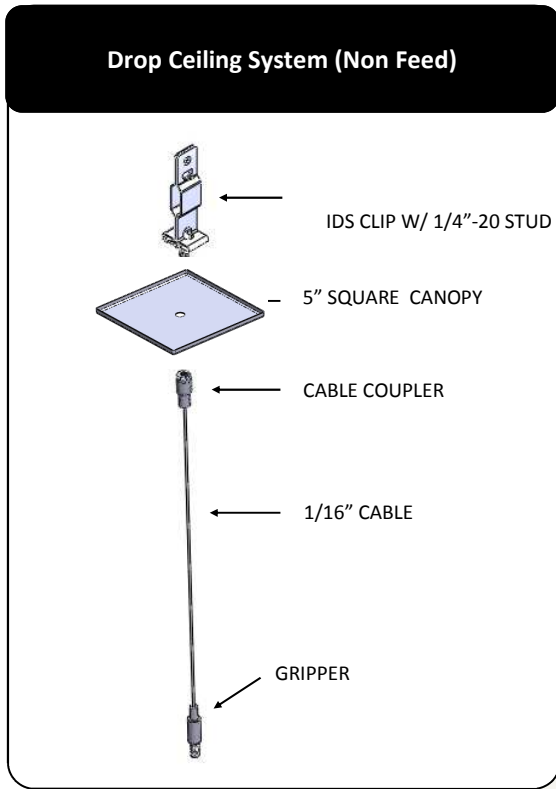
- Wear gloves to prevent cuts or abrasions from sharp edges when removing from carton, handling and maintaining this equipment.
- Do not use abrasive materials, glass cleaners or other solvents on reflector or lens. These substances may damage equipment and cause parts to eventually break and fall.
- Do not install a damaged fixture.

Indirect Driver Circuitry	
LINE WIRE COLOR	CIRCUIT DESCRIPTION
BLK	HOT
WHT	NEUTRAL
GRN	GROUNDING
VLT	DIMMING CONTROL 1
GRY	DIMMING CONTROL 2
WHT/RED	LED +
WHT/BLUE	LED -

Direct Driver Circuitry	
WIRE COLOR	CIRCUIT DESCRIPTION
BLK	HOT
WHT	NEUTRAL
GRN	GROUNDING
VLT	DIMMING CONTROL 1
GRY	DIMMING CONTROL 2
RED	LED +
BLUE	LED -

Typical Mounting Configurations

Linear Fixtures

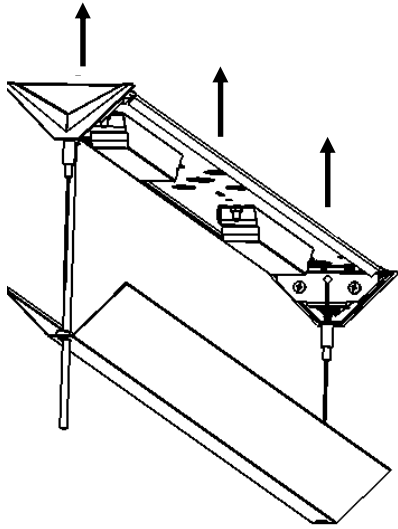


Typical Power Supply Configurations

Linear Fixtures

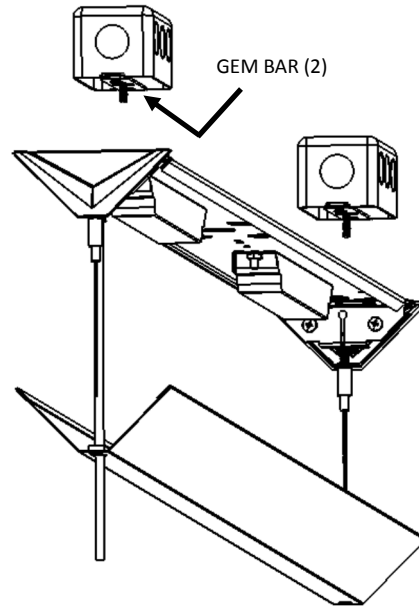
Room Side Mounted Power Supply Housing (Direct Mount)

HOUSING PLACED AGAINST CEILING WITH-
FASTENERS (BY OTHERS)



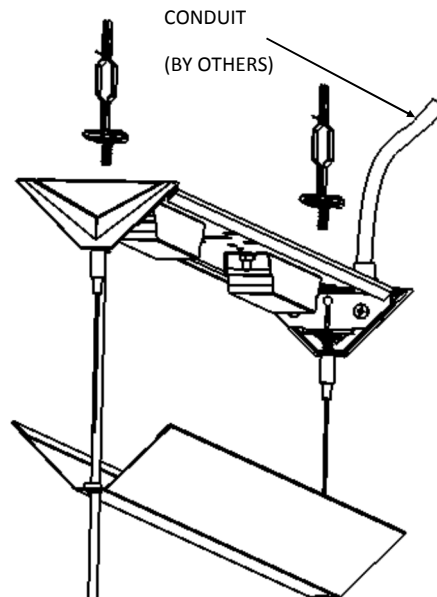
Room Side Mounted Power Supply Housing (Junction Box)

HOUSING PLACED AGAINST 2X4 JUNCTION
BOXES (BY OTHERS) WITH GEM BAR (BY LUX)



Room Side Mounted Power Supply Housing (Drop Ceiling)

HOUSING MOUNTED WITH T-BAR CLIPS. OFF CENTER
KNOCKOUT HOLES PROVIDE FOR CONDUIT (BY OTHERS)

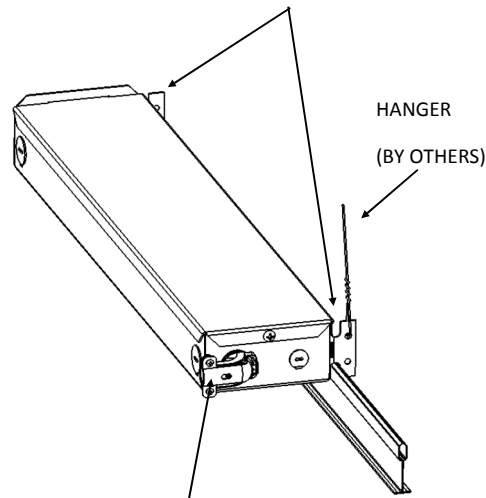


Typical Mounting Configurations

Linear Fixtures

Remote Box Grid Mounting

MOUNT REMOTE BOX TO GRID USING T-WINGS

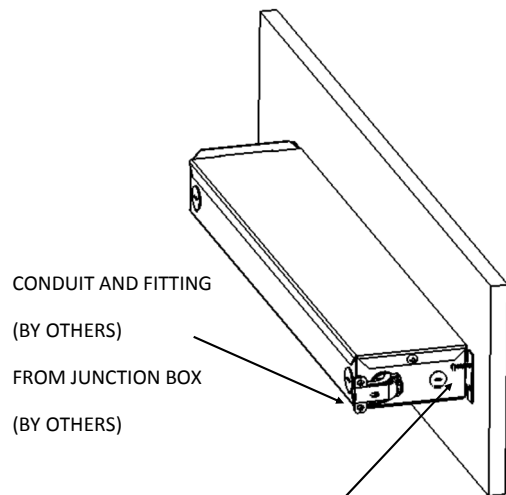


HANGER
(BY OTHERS)

CONDUIT AND FITTING (BY OTHERS)
FROM JUNCTION BOX (BY OTHERS)

Remote Box Wall Mounting

MOUNT REMOTE BOX TO WALL THRU MOUNTING HOLES

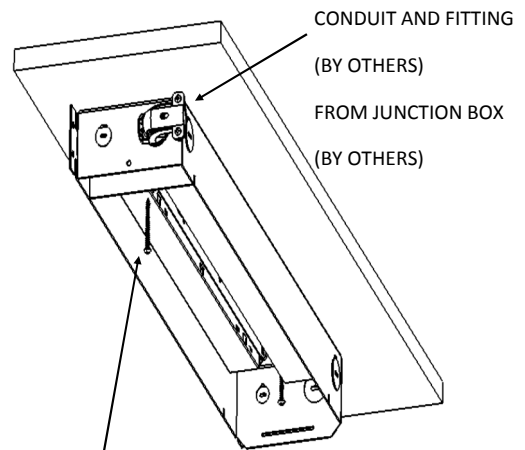


CONDUIT AND FITTING
(BY OTHERS)
FROM JUNCTION BOX
(BY OTHERS)

SCREWS (BY OTHERS)

Remote Box Ceiling Mounting

MOUNT REMOTE BOX TO CEILING THRU MOUNTING HOLES INSIDE BOX



CONDUIT AND FITTING
(BY OTHERS)
FROM JUNCTION BOX
(BY OTHERS)

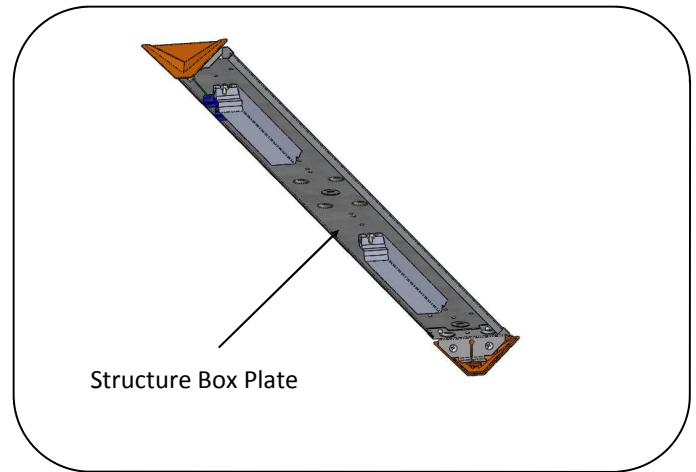
SCREWS (BY OTHERS)

Installation Instruction Sheet

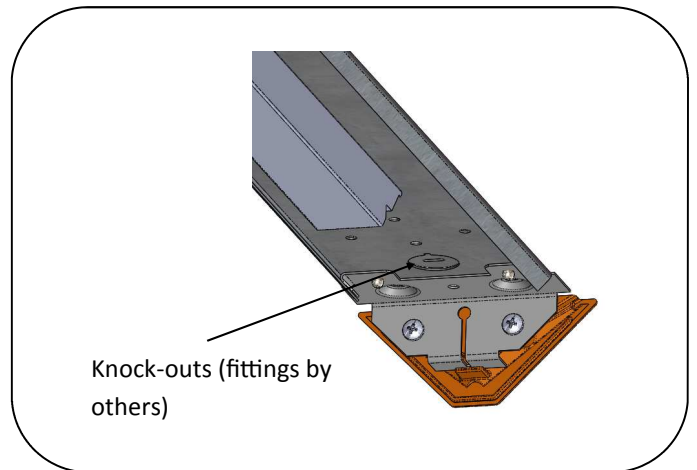
Linear Fixtures

INSTALLATION INSTRUCTIONS

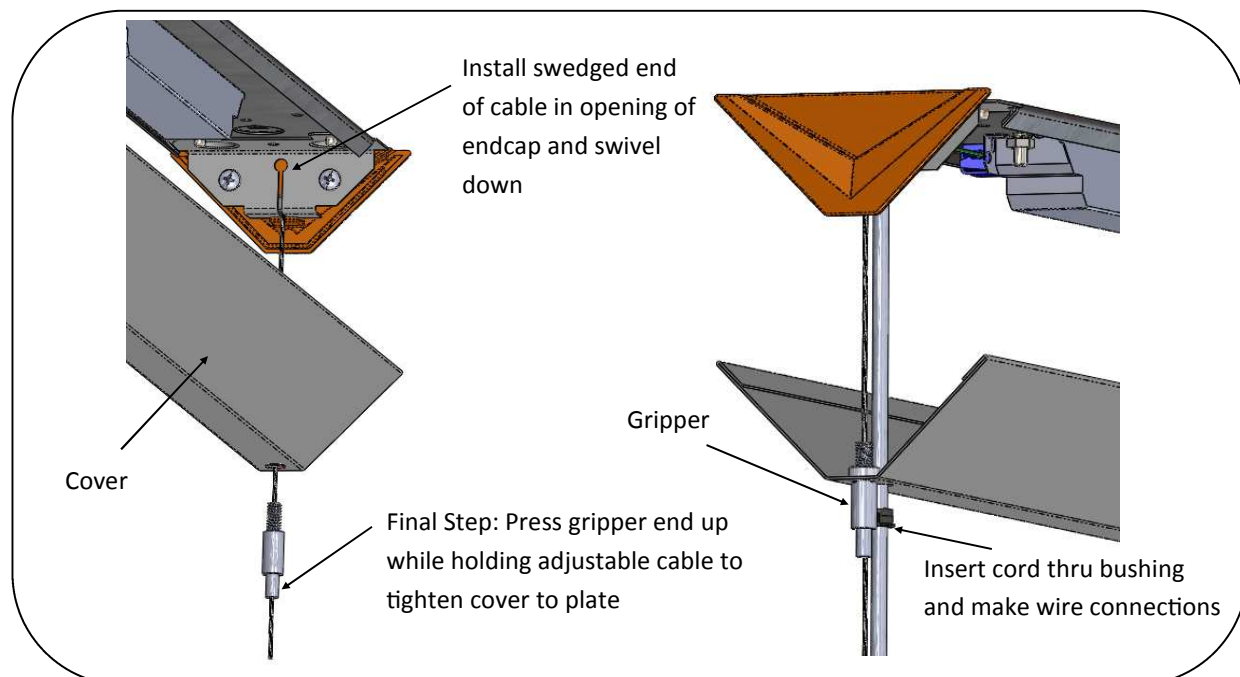
Remove cover and mount Structure box as shown on previous pages.



Run Fixture Power Wires thru knock out (see wiring page).



To attach cover, insert adjustable grippers into threaded cover and attach Suspension cable to endcaps



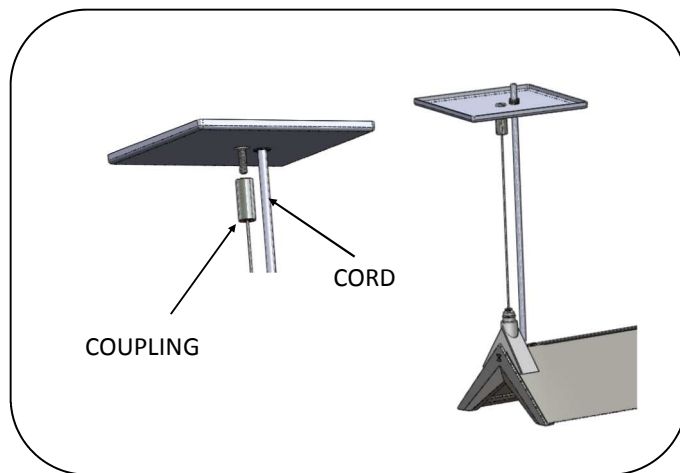
Installation Instruction Sheet

Linear Fixtures

INSTALLATION INSTRUCTIONS

Mounting to Remote Box:

Attach couplings from fixture to 1/4-20 threads from Gem bar or IDS clips and run cord thru bushing in canopy. Use supplied strain relief to secure cord above canopy.



Adjust level of fixture with fixture gripper

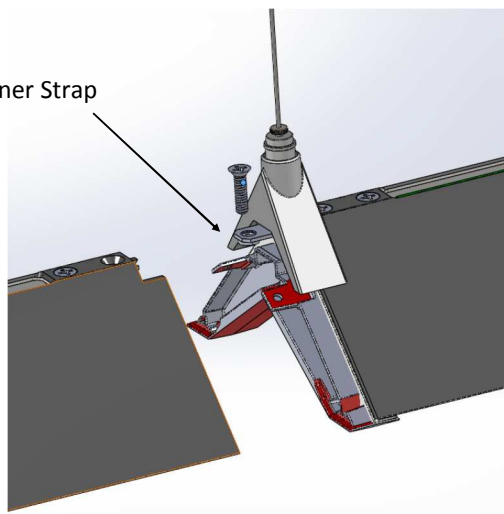


For Starter or Ender or Joiner Fixture mounting:

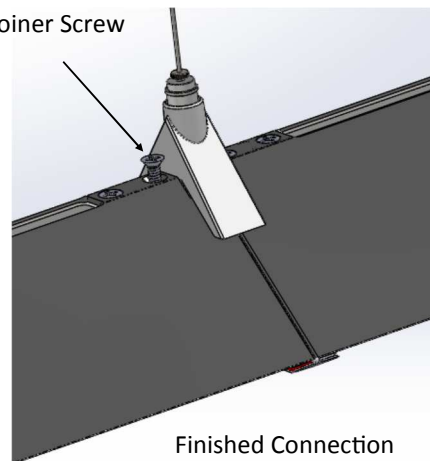
Complete Starter unit first. After starter is hung, mount Joiners than Ender using joiner strap as shown. Then make all Power connections (See wiring page)

Slide Joiner or Ender into fixture and secure with supplied flat head screw

Joiner Strap



Fasten Joiner Screw



AX.5 / TORR.5 LED Pendant Mounted Luminaire

Linear Fixtures

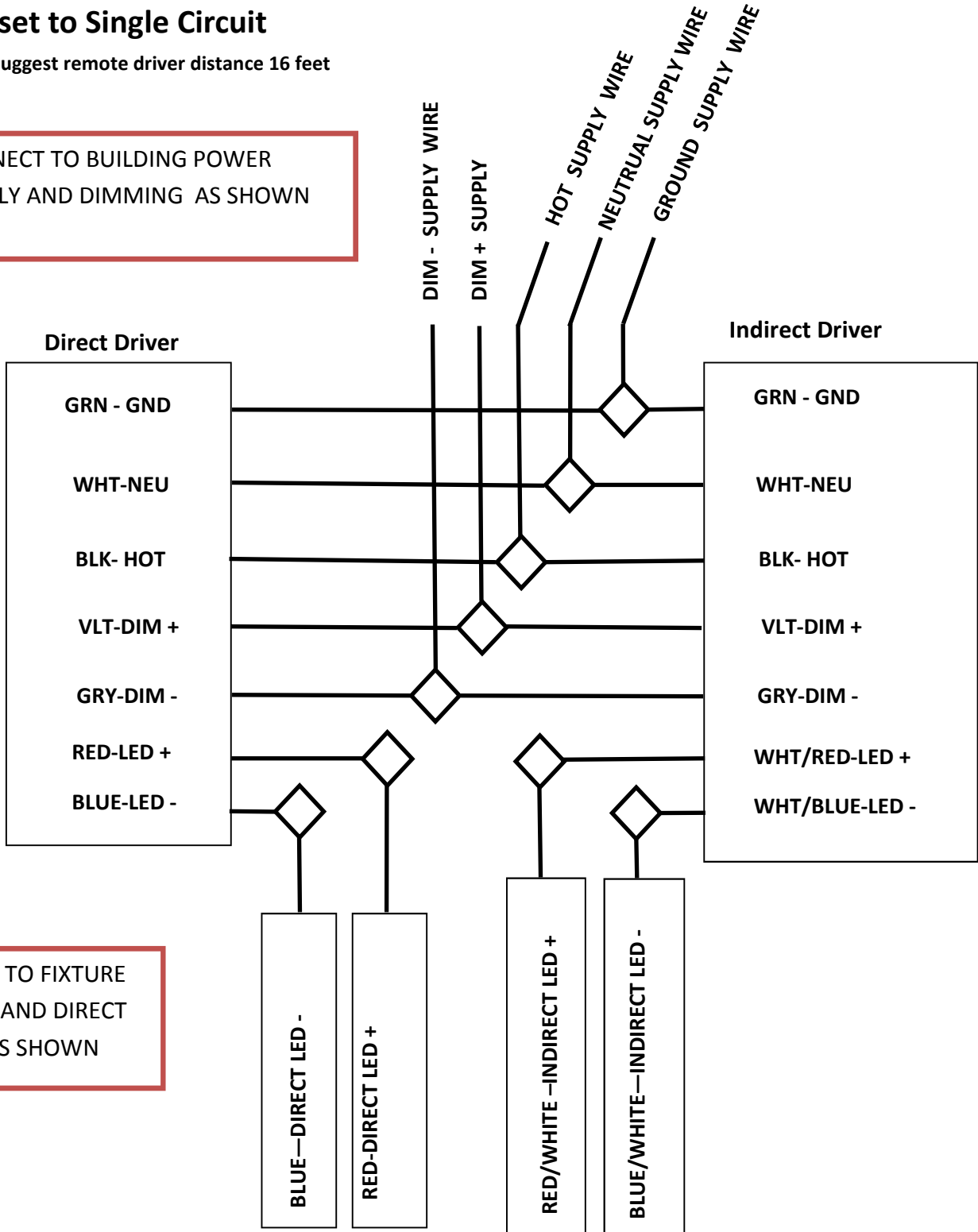
WIRING INSTALLATION INSTRUCTIONS FOR DIRECT/INDIRECT FIXTURE

HOUSING ENCLOSER WITH 2 DRIVERS:

Factory set to Single Circuit

*Maximum suggest remote driver distance 16 feet

CONNECT TO BUILDING POWER
SUPPLY AND DIMMING AS SHOWN



CONNECT TO FIXTURE
INDIRECT AND DIRECT
LED +/- AS SHOWN

From Direct/Indirect Fixture

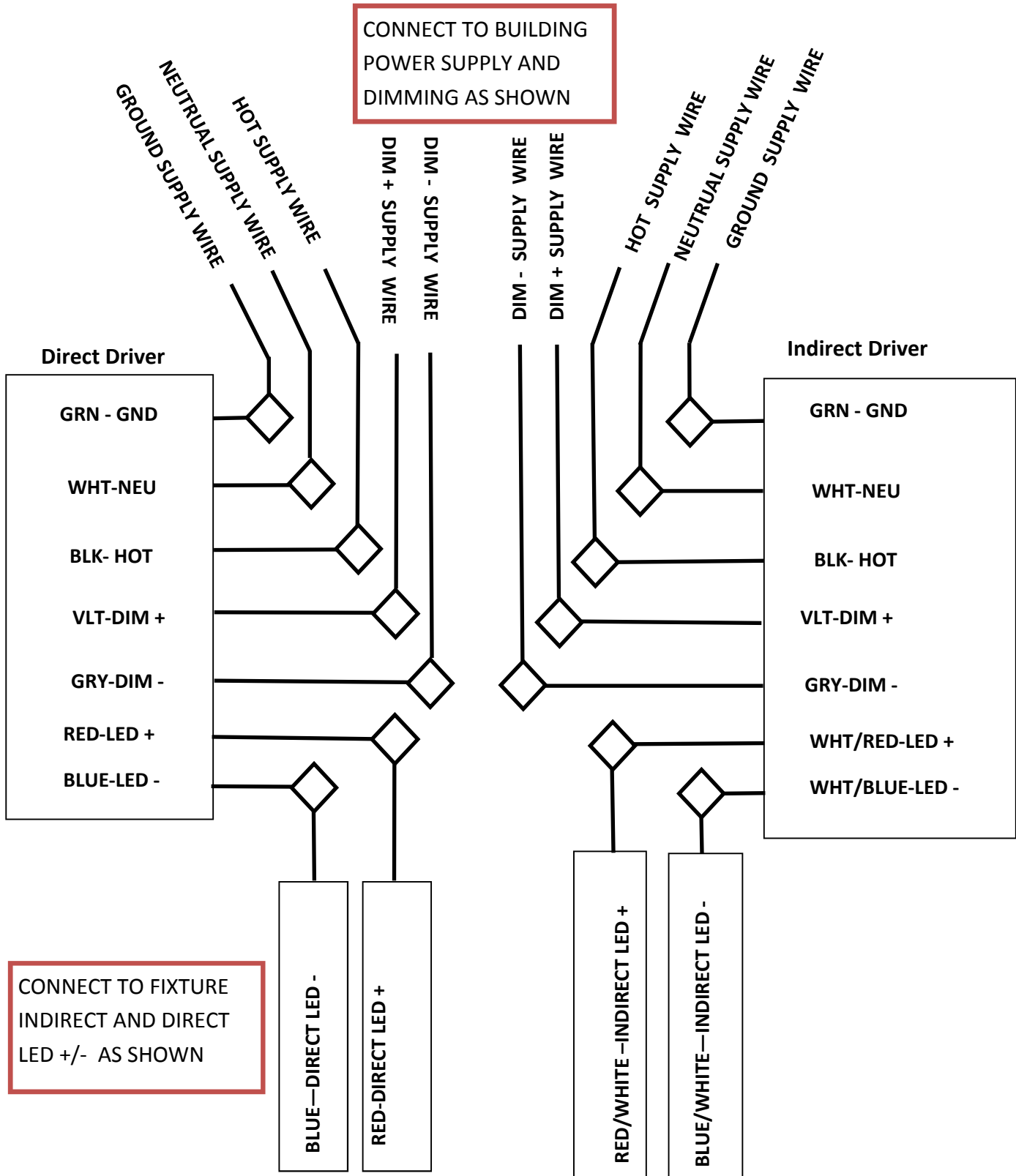
AX.5 / TORR.5 LED Pendant Mounted Luminaire

Linear Fixtures

WIRING INSTALLATION INSTRUCTIONS FOR DIRECT/INDIRECT FIXTURE

HOUSING ENCLOSURE WITH 2 DRIVERS: Separate Circuit (Installation Wiring Option).

*Maximum suggest remote driver distance 16 feet



From Direct/Indirect Fixture

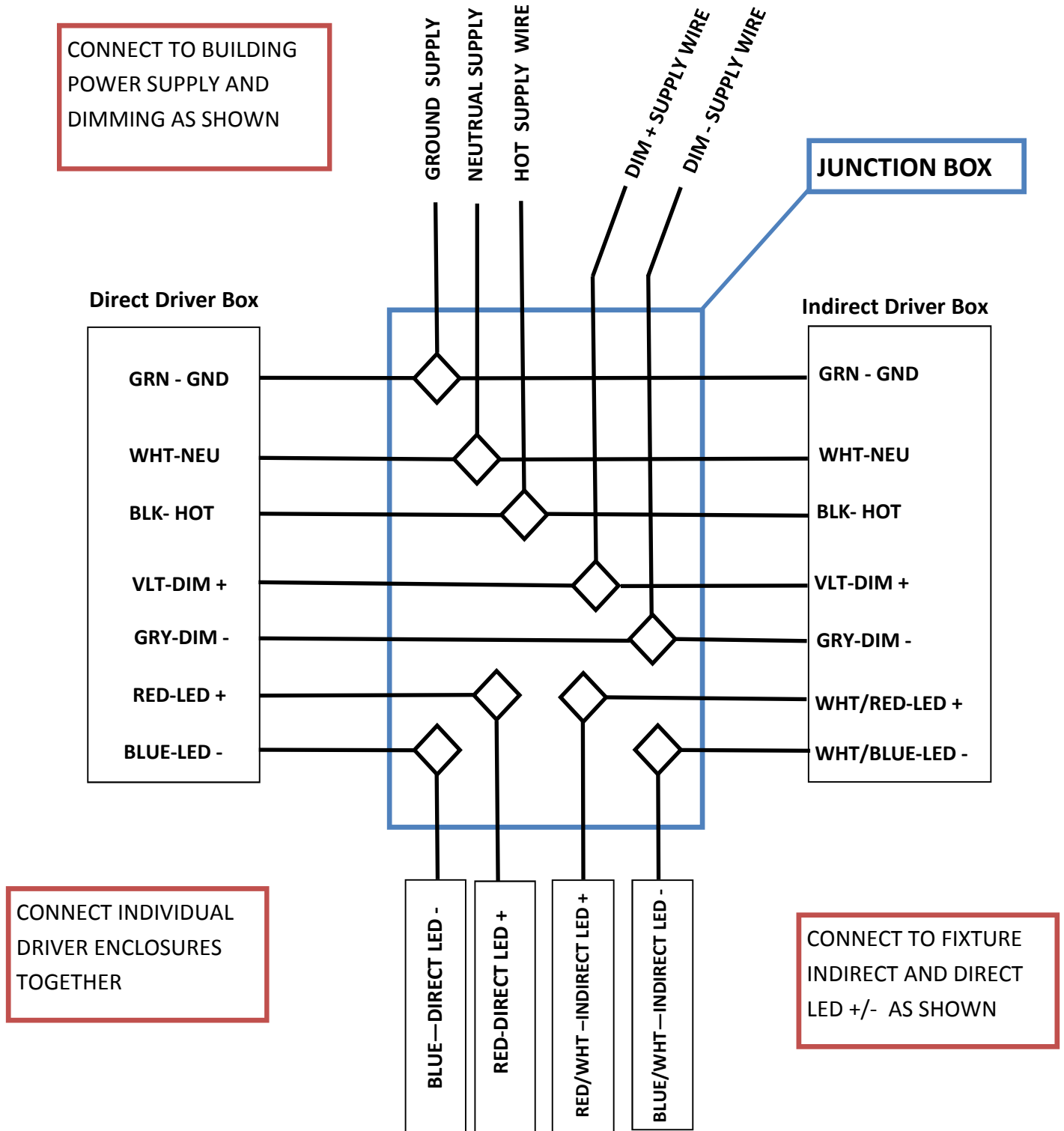
AX.5 / TORR.5 LED Pendant Mounted Luminaire

Linear Fixtures

WIRING INSTALLATION INSTRUCTIONS FOR DIRECT/INDIRECT FIXTURE WITH SEPARATE DRIVER ENCLOSERS

DRIVERS IN 2 HOUSING ENCLOSURES: **CONNECTING HOUSING ENCLOSURES TOGETHER**

*Maximum suggest remote driver distance 16 feet



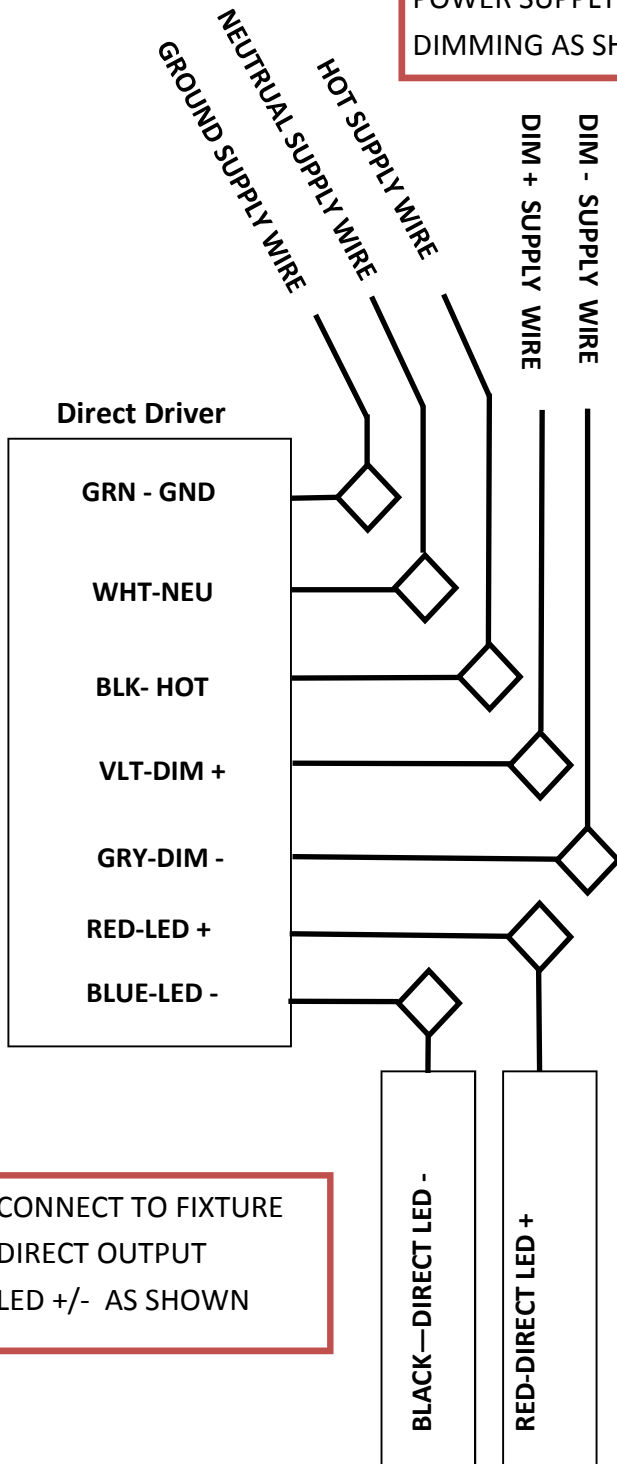
From Direct/Indirect Fixture

WIRING INSTALLATION INSTRUCTIONS FOR DIRECT FIXTURE

DRIVER HOUSING

*Maximum suggest remote driver distance 16 feet

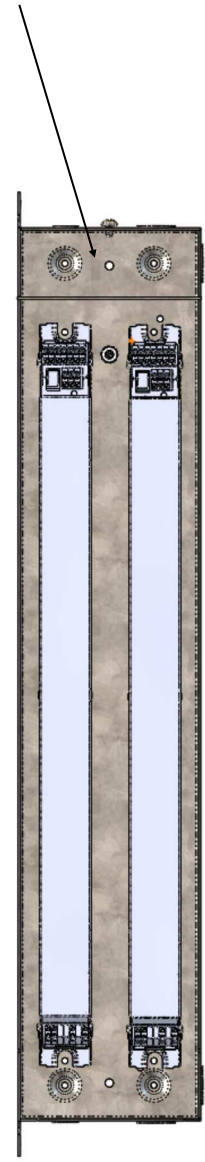
CONNECT TO BUILDING
POWER SUPPLY AND
DIMMING AS SHOWN



CONNECT TO FIXTURE
DIRECT OUTPUT
LED +/- AS SHOWN

From Direct Fixture

LOW VOLTAGE SECTION OF
REMOTE BOX



NOTE:

FACTORY WIRING FOR STRUCTURE BOX
IS FOR STANDARD SINGLE CIRCUIT