



Copper Path Light

Catalog Number	
Project	Type



FEATURES & SPECIFICATIONS

APPLICATION — The TL Copper Path Light Series showcases a simple contemporary design with the sturdy construction of copper. The wide selection of finishes available allows this fixture to subtly blend into any landscape or lawn design.

OPTICAL SYSTEM — TL frosted glass lens encompasses the light source to create an evenly diffused symmetrical light pattern. The TLSCPL comes with a 6.7" round cutoff flare top to keep light directed downwards. The TLPLKMC comes with a small cap top and directional side shield.

MOUNTING — Select 12" or 18" tall, 1/2" NPT stem and mounting stake. Provided with a 3' long 18 ga. whip and low voltage connector.

FINISH — The fixture can be finished with a durable polyester powdercoat paint, left unfinished to patina naturally, or provided with a factory applied patina finish.naturally, or provided with a factory applied patina finish.

ORDERING INFORMATION

Choose the bold face options for the appropriate luminaire configuration for your application and enter on the line above each fixture attribute. Accessories may be factory installed, depending on the particular accessory chosen, but still be ordered as a separate line item.

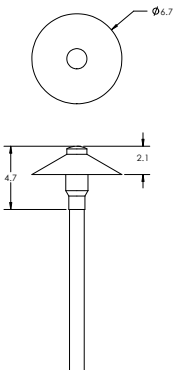
EXAMPLE:
TL SCPL 18 BZ

TL	TOP	LENGTH	VOLTAGE	WATTAGE	FINISH
SERIES	SCPL = 6.5" Flare Top PLKMC = 2" Directional Top	18 = 18" Stem 12 = 12" Stem	Blank = 12V	Blank = 20W	BZ = Bronze BK = Black GR = OD Green WH = White SP = Special PT = Patina VRD = Verde RAW = Natural Copper

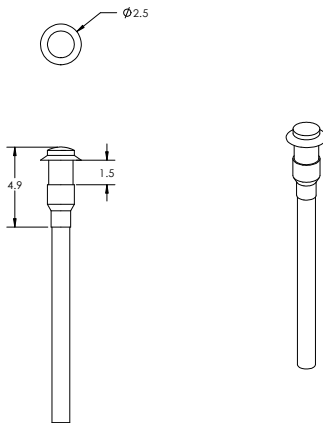
FIXTURE DIMENSIONS

ACCESSORIES (Order as separate line items)

TLSCPL



TLPLKMC



- LWW12VBA15S** Led Lamp - 2.5W-12V AC or DC 3K 380LM
- LWW24VBA15S** Led Lamp - 3W-24V DC 3K 400LM

NOTE

JC20 12V Halogen Lamp Included. Other Lamps Available. (Consult TL Sales Representative)