

INSTALLATION INSTRUCTIONS

SRCF RECTANGULAR RECESSED LED CANOPY

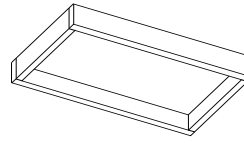
NOTE: Fixture must be installed by a licensed electrician. These instructions do not cover all details or variations in equipment, nor do they provide for every uncertainty related to installation, operation, maintenance, or mounting contingency. Should specific problems occur that are not covered sufficiently for the purchaser's purpose, contact Techlight for additional product or application information. Improper installation and/or utilization may void manufacturer's warranty.

Techlight assumes no responsibility for claims arising out of improper or careless installation or handling of this product.

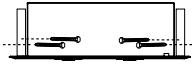
A Box Frame
(8.5" x 16.5" Inside Dimension)



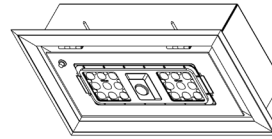
B Ceiling Opening
(8.5" x 16.5")



C Housing/Back Box Frame Attachment
(4 screws provided by Techlight)

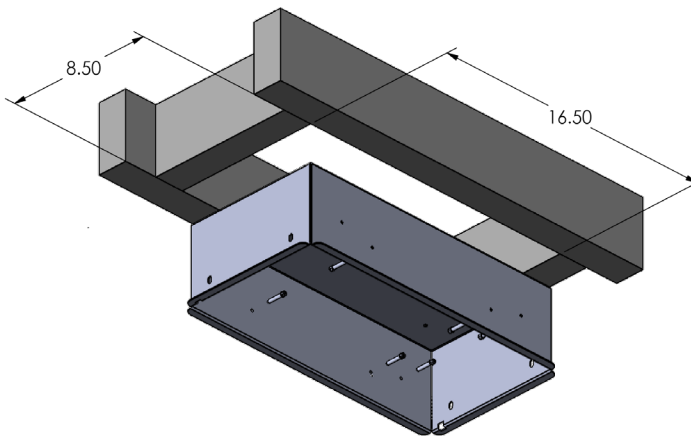


D Assembled Luminaire Body
w/Hinged Door

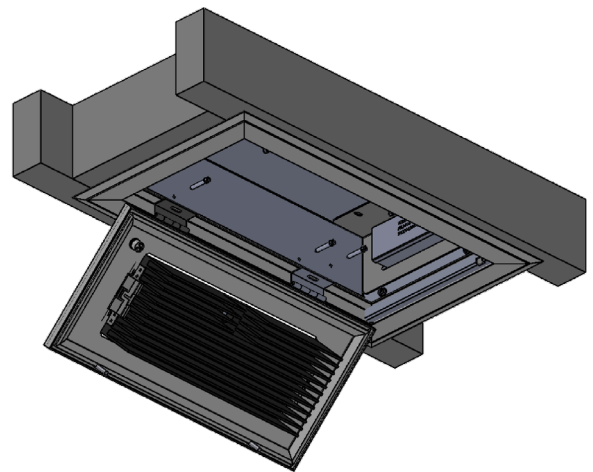


WARNING: Always install fixtures according to National Electrical Code (NEC) and local codes. Failure to do so will void the warranty and could cause damage to the fixture or may result in personal injury.

E Box Frame & Housing/Back Box



F Installed Fixture with Open Hinged Door



IMPORTANT: TURN ELECTRICITY OFF AT THE CIRCUIT BREAKER BEFORE INSTALLING FIXTURE.

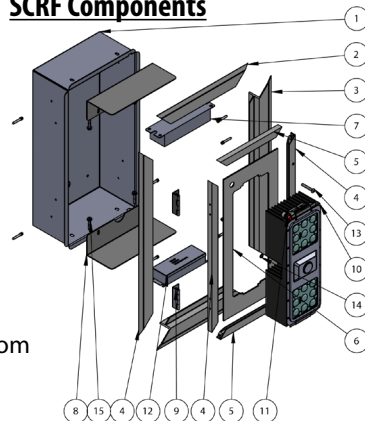
The canopy consists of 2 separate parts (Housing/Back Box Frame Attachment (C) plus Luminaire w/Hinged Door (D)) for assembly and installation. This 4 step process is detailed below:

- 1st - Secure the housing (C) into box frame (A,E) using 4 screws provided. Screw through "holes" on interior/long side(s) of housing/back box.
- 2nd - Insert the main component/luminaire (D) into the secured housing. Open hinged door frame (F), with the 4 additional screws provided, attach luminaire through housing and into box frame. Use "holes" on the interior/short side(s) of luminaire body.

The luminaire is constructed with a hinged front cover (where LEDs and heat sink are located). This allows access to wiring components, behind, once secured/installed into the ceiling/box frame (E).

- 3rd - With hinged door open (F) and housing PLUS luminaire secure, you may connect the incoming supply wires to the corresponding fixture leads using wire connectors.
- 4th - The final step is to close the hinged door/lid of the fixture body and secure shut with additional two captive screws in door frame. This allows access to the wiring components in the future if necessary maintenance is needed.

SRCF Components



Item No.	Description	Qty
1	Housing	1
2	Outside Frame Short Side	2
3	Outside Frame Long Side	1
4	Outside Frame Long Side	1
5	Outside Frame Short Side	2
6	Brick Plate	1
7	OSRAM OT50W-UNV-1250C-2DIMLT2-P6	1
8	Driver Bracket	2
9	Hinge with Leg	2
10	Wide Heatsink CW 18 LED	1
11	Switch Emergency Test	1
12	Fulham Emergency Driver	1
13	Screw 10/24 x 1.25 SS	2
14	ORING #66801	2
15	Screw 10/24 x 1" HWH SLTD SS	4



Techlight, Inc.
2707 Satsuma Dr., Dallas, TX 75229
PH: 214.350.0591 techlight@techlight.com
www.techlight.com