



Medium R30 Copper Bullet

Catalog Number	
Project	Type

FEATURES & SPECIFICATIONS

CONSTRUCTION — Made with a spun copper housing with stainless steel fasteners. Designed to efficiently operate R30 and PAR30 shaped lamps. A high temperature drain plug is provided for upright applications. ETL listed for wet locations.

FINISH — A Patina Finish or Super Durable Polyester Powder Coat finish are both available. Standard colors available: Natural Copper, Brown Patina, Flemish Patina, Gray Patina, Black, Bronze, White, OD Green, US Green. Custom colors available upon request.

OPTICAL SYSTEM — Beam spreads vary based on the light source and lamp shape chosen. Standard shields include an up shield with a convex clear tempered glass lens and an open down shield. Various additional shield and lens assemblies are available for custom applications.

ELECTRICAL SYSTEM — HID models can be ordered with multi-tap (120V, 208V, 240V, 277V) high power factor or 120V normal power factor ballast enclosures. LED PAR lamp models available for line voltage operation. Recommended to use minimum one surge protection device per circuit. Each fixture comes with a medium base porcelain 4KV rated socket.



SERIES	HOUSING HEIGHT	LENGTH & WIDTH
R3LWC	7.0"	5.3" x 4.4"

MOUNTING — Comes standard with a 1/2" threaded knuckle mount, fully adjustable swivel arm, and locking teeth. The fixture can be mounted directly to the ballast enclosure, or it can be remote mounted using a Techlight mounting accessory.

ORDERING INFORMATION

Choose the bold face options for the appropriate luminaire configuration for your application and enter on the line above each fixture attribute. Accessories may be factory installed, depending on the particular accessory chosen, but still be ordered as a separate line item.

EXAMPLE:
R3LWC-S25

R3LWC			
SERIES	LAMP TYPE	SHIELD ¹	FINISH
	BLANK = HID LAMP L⁴ = LED PAR30 LAMP	S24 = Down Shield S25 = Up Shield S58 = Down Shield with Lens	blank = Natural Copper PB = Brown Patina PF = Flemish Patina PG = Gray Patina BZ = Bronze BK = Black GR = OD Green WH = White SP³ = Special

ACCESSORIES (Order as separate line items)

BASE

- B01GL** Tree Base with Ground Lug
- B02** 1/2" Conduit Base
- B03** 4" Round 3 Hole Cover
- B06** Brass Tree Base
- B10** 1/2" Hub With Ground
- B16-12** Palm Tree Base With 12' Strap
- SMSB** 12" X 2.5" Mounting Stake
- MMSB** 18" X 2.5" Mounting Stake
- LMSB** 20" X 2.5" Mounting Stake
- S81** Honeycomb Louver
- TLSBBJB** Brass Junction Box
- TLHB800RCH** Digital Timer
- PSJ163** 16 Gauge 3 Strand Lead Wire (Color Coded) Per Linear Foot

LAMPS

- MH35PAR30FLMED** 35W MH Medium Base Par30 Flood
- MH35PAR30SPMED** 35W MH Medium Base Par30 Spot
- MH70PAR30FLMED** 70W MH Medium Base Par30 Flood
- MH70PAR30SPMED** 70W MH Medium Base Par30 Spot
- MV50R30MEDE** 50W MV Medium Base R30
- MV50R30CMEDE** 50W MV Medium Base R30 Coated
- MV100R30MEDE** 100W MV Medium Base R30
- MV100R30CMEDE** 100W MV Medium Base R30 Coated
- LUVPAR3012WXK⁵** LED 12W PAR30

BALLAST ENCLOSURES²

- MSEG02** 100W MV MT Medium Steel
- FGE04** 100W MV MT Fiberglass
- SSEG05** 35W MH MT Small Aluminum
- SSEG06** 100W MV MT Small Steel
- MSEG06** 70W MH MT Medium Aluminum
- FGE21** 35W MV MT Fiberglass
- SSEG07** 50W MV MT Small Aluminum
- SSEG06** 50W MV MT Medium Aluminum
- SSMSEG02** 50W MV MT Medium Stainless
- SSMSEG04** 100W MV MT Medium Stainless
- SSEGS07** 50W MV MT Small Stainless

NOTES

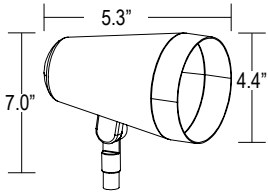
- 1 = Premium shields are designed to allow debris to wash free in an up light position.
- 2 = Fixture must be mounted within 10' of ballast enclosure.
- 3 = Custom RAL color matching is available. Contact your sales representative for additional info.
- 4 = Recommend minimum one surge protection device for each circuit. See FSPENCA277V Series specification sheet for details.
- 5 = XX could be 27 = 2700K, 30 = 3000K, 40 = 4000K, 65 = 6500K or GR = Green Lens. See LUV Series specification sheet for details.



R3LWC Medium R30 Copper Bullet

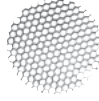
AVAILABLE FIXTURE DIMENSIONS

Dimensions shown are for fixture bodies only. Mounting options must be ordered separately.



ACCESSORIES

S81
Honeycomb Louver



TLHB800RCH
Digital Timer



PSJ163
16 Gauge 3 Strand Lead Wire



MOUNTING ACCESSORIES

B01GL
Tree Base with Ground Lug



B02
1/2" Conduit Base



B03
4" Round 3 Hole Cover



TLSBBJB
Brass Junction Box



B16-12
Palm Tree Base with 12' Strap



B06
Brass Tree Base



B10
1/2" Hub with Ground

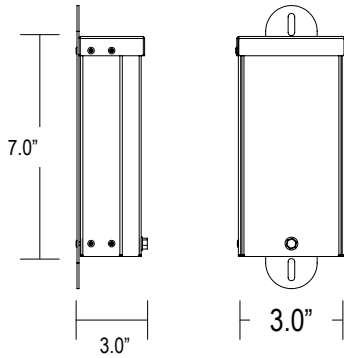


SMSB, MMSB, LMSB
12" x 1", 18" x 1", 20" x 2.5" Mounting
Stakes w/ Brass Caps

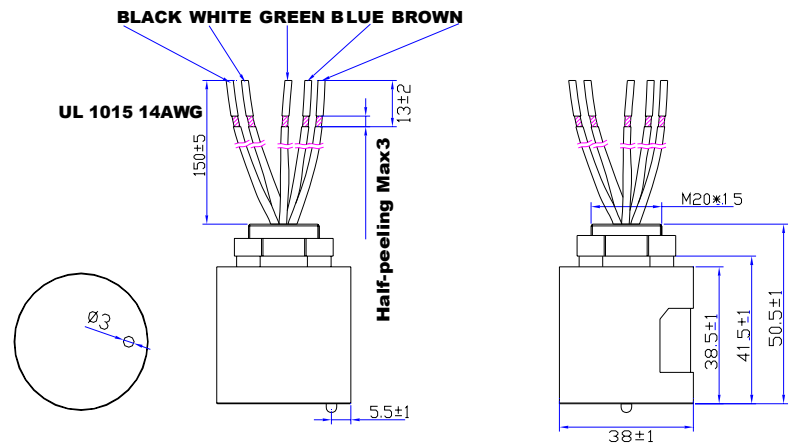


SURGE PROTECTION DEVICE

FSPENCA277V⁴ - 10kA surge protector device (102549) with aluminum enclosure



102549 DIMENSIONS

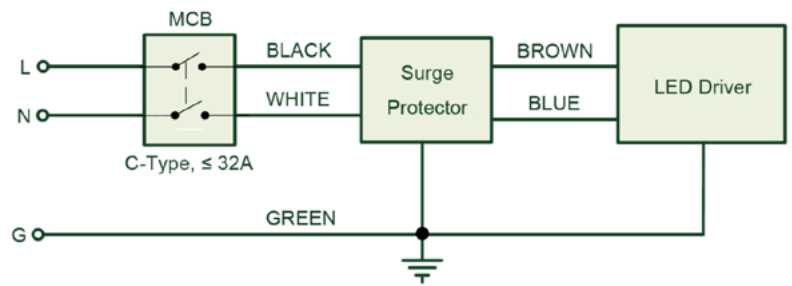


102549 - 10kA Surge Protective Device

- 90-305 Vac Working Input Voltage
- 15 kA Maximum, 10 kA Nominal (15 strikes) Surge Current Rating Using Industry Standard 8/20us Wave
- UL1449 Type 4, EN 61643-11 - Surge Protective Devices T2 & T3
- IEEE C62.41.2 Location Category C High
- High Temperature, 85C Maximum Ambient
- Flameproof Plastic Enclosure
- IP66
- Compatible with Inventronics LED Drivers
- "Series" Wiring Configuration



102549 WIRING DIAGRAM (IN SERIES)



WARNING: Maintenance performed including the replacement of LED bricks while power is still supplied to the luminaire may result in system failures and will void the warranty.



TECHLIGHT
INNOVATION IN ILLUMINATION

2707 SATSUMA DR. | DALLAS, TX 75229 | PH: 800.225.0727 | EMAIL: TECHLIGHT@TECHLIGHT.COM | www.techlight.com