

## SPECIALTY LIGHTING

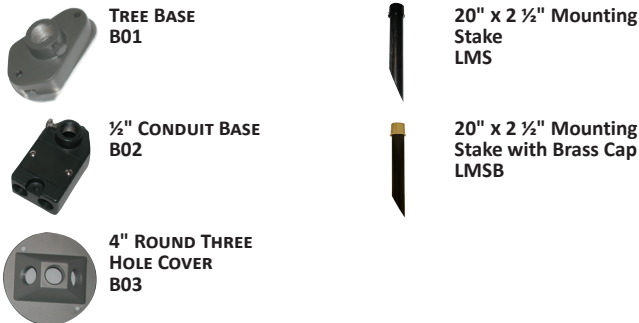
### R30 Statue Spot



## DESIGN

The R3AP36LV is a low voltage bullet light that was designed to effectively and efficiently be used as a statue spot light. Whether you are lighting a small statue in a yard, or a large piece of corporate art, the versatility of our statue spot light makes it the right fixture for the job at hand.

## ACCESSORIES



## ORDERING INFORMATION

Description	Part Number
PAR36 INC, DOWN TUBE, NO XFMR	R3AP36LV- (A)
PAR36 INC, DOWN TUBE, 75W 12V XFMR	R3AP36LV-T- (A)
PAR36 INC, DOWN SHIELD, 75W 12 V XFMR	R3AP36LVD-T- (A)
PAR36 INC, UP TUBE, 75W XFMR	R3AP36LVU-T- (A)
PAR36 INC, DOWN TUBE 25W 5.5V XFMR	R3AP36LV-T6- (A)
PAR36 INC, DOWN SHIELD, 25W 5.5V XFMR	R3AP36LVD-T6- (A)
PAR36 INC, UP TUBE, 25W 5.5V XFMR	R3AP36LVU-T6- (A)

### Option Codes

(A) Finish  
 BK - Black  
 BZ - Bronze  
 GR - OD Green  
 WH - White  
 SP - Special

## SHIELDS

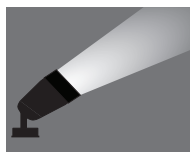
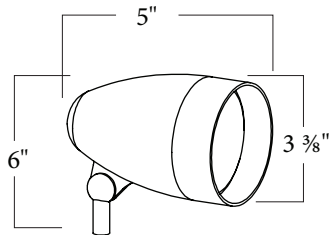


## TECHNICAL INFORMATION

Constructed of die cast aluminum, it comes standard with our 1/2" Precise Aim threaded knuckle mount. The low voltage transformer is available as an integral component or remote mounted. Light sources available up to 50W PAR36 Incandescent. The fixture is finished with a durable polyester powdercoat paint.

## SPECIALTY LIGHTING

### Facade Light



## ORDERING INFORMATION

Description	Part Number
PAR38 INC, FACADE UP, NO L AMP	TLR38- (A)
PAR38 INC, FACADE UP, WITH 150W LAMP	TLR38-L- (A)

### Option Codes

#### (A) Finish

- BK - Black
- BZ - Bronze
- GR - OD Green
- WH - White
- SP - Special

## DESIGN

The TLR38 is a line voltage incandescent PAR38 bullet designed specifically for façade lighting. The attractive yet economical design makes this fixture ideal for single home or multi-family applications.

## ACCESSORIES



TREE BASE  
B01



1/2" CONDUIT BASE  
B02



4" ROUND THREE  
HOLE COVER  
B03



20" x 2 1/2" Mounting  
Stake  
LMS



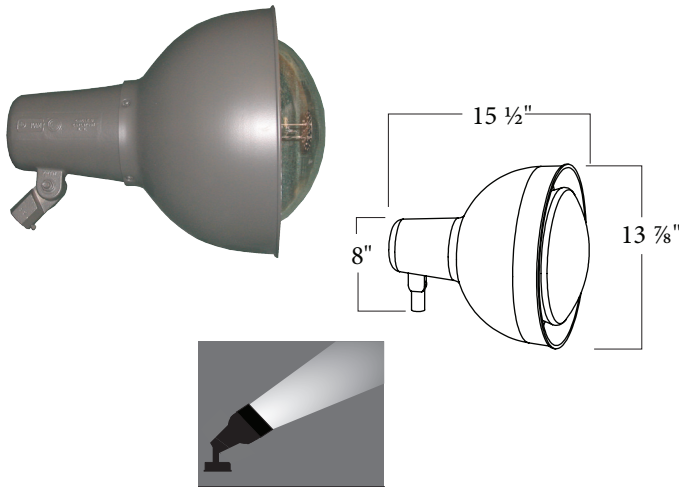
20" x 2 1/2" Mounting  
Stake with Brass Cap  
LMSB

## TECHNICAL INFORMATION

Constructed of die cast aluminum, it comes standard with our 1/2" Precise Aim threaded knuckle mount. Light sources available up to 150W PAR38 Incandescent for line voltage operation. The fixture is finished with a durable polyester powdercoat paint.

## SPECIALTY LIGHTING

### R60/R80 Down Light



## DESIGN

The R6AG is a line voltage bullet light that was designed to effectively and efficiently high wattage mercury vapor down light. Its small size compared to bulky flood lights makes this fixture ideal for mounting in tree tops where the downward moonlight effect needs to be seen, not the fixture.

## ACCESSORIES



R60 TREE BASE  
B05

## ORDERING INFORMATION

Description	Part Number
400W/1000W R57 OR R63 HEAD ONLY	ZR6AG- (A)
400W R57 MV, DOWN SHIELD, TREE BASE	R6AG-1-1-1-1-1- (A)
1000W R63 MV, DOWN SHIELD, TREE BASE	R6AG-1-1-1-2-2- (A)
400W R57 MV, UP SHIELD, TREE BASE	R6AG-1-2-1-1-1- (A)
1000W R63 MV, UP SHIELD, TREE BASE	R6AG-1-2-1-2-2- (A)

### Option Codes

#### (A) Finish

- BK - Black
- BZ - Bronze
- GR - OD Green
- WH - White
- SP - Special

## SHIELDS



R60 DOWN SHIELD  
S22



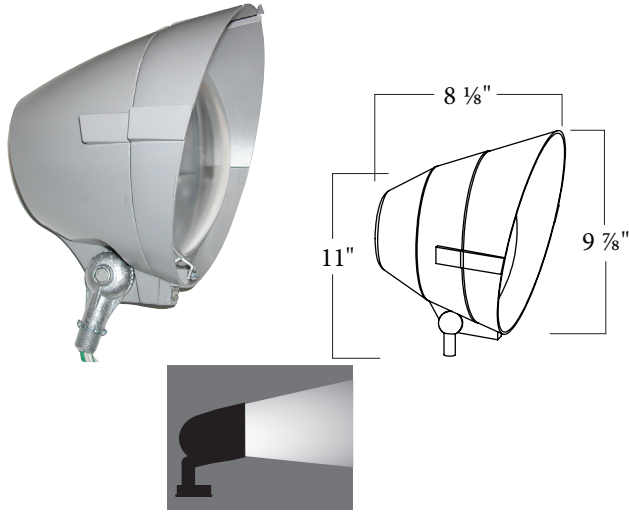
R60 UP SHIELD  
S23

## TECHNICAL INFORMATION

Constructed of die cast aluminum, it is designed to operate R57, R63, or R80 line voltage lamps. Light sources available are 400W R57 or R63 and 1000W R88 Mercury Vapor lamps. The fixture is finished with a durable polyester powdercoat paint.

## SPECIALTY LIGHTING

### PAR56 Statue Spot



## ORDERING INFORMATION

Description	Part Number
300W PAR56 MFL INC, TREE BASE	MSS-1-1-1- (A)
300W PAR56 NS INC, TREE BASE	MSS-1-1-2- (A)
300W PAR56 WFL INC, TREE BASE	MSS-1-1-3- (A)

### Option Codes

#### (A) Finish

- BK - Black
- BZ - Bronze
- GR - OD Green
- WH - White
- SP - Special

## DESIGN

The MSS is a line voltage bullet light that was designed to be used as a statue spot light. Whether you are lighting a small statue in a yard, or a large piece of corporate art, the versatility of our line voltage statue spot light makes it appropriate for a wide range of applications.

## ACCESSORIES



TREE BASE  
B01



1/2" CONDUIT BASE  
B02



4" ROUND THREE  
HOLE COVER  
B03



20" x 2 1/2" Mounting  
Stake  
LMS



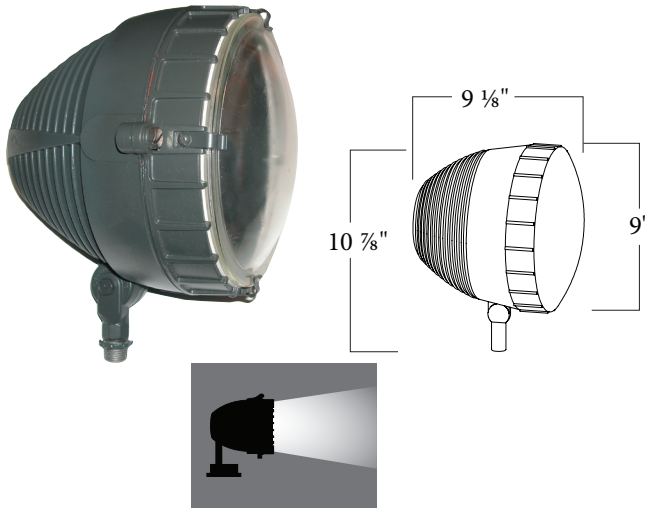
20" x 2 1/2" Mounting  
Stake with Brass Cap  
LMSB

## TECHNICAL INFORMATION

Constructed of die cast aluminum, it is designed to operate PAR56 line voltage lamps. Light sources available up to 300W PAR56 Incandescent lamps. The fixture is finished with a durable polyester powdercoat paint.

## SPECIALTY LIGHTING

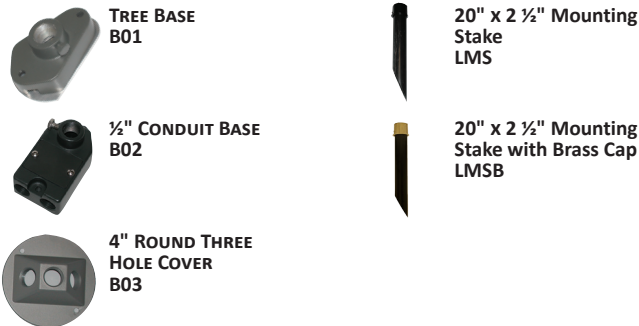
### PAR64 Statue



## DESIGN

The LSS is a line voltage bullet light that was designed to be used as a statue spot light. With the highest available wattage of Techlight's entire line of statue lighting products, the LSS fixture is the one to go to for any large structure that needs high intensity lighting with optimum control.

## ACCESSORIES



## ORDERING INFORMATION

Description	Part Number
120W PAR36 LV VNS INC, 75W 12V XFMR	LSS-1-1-1-1-1-(A)
500W PAR36 MF INC	LSS-1-1-1-2-0-(A)
500W PAR36 WF INC	LSS-1-1-1-3-0-(A)

### Option Codes

#### (A) Finish

BK - Black  
 BZ - Bronze  
 GR - OD Green  
 WH - White  
 SP - Special

## SHIELDS

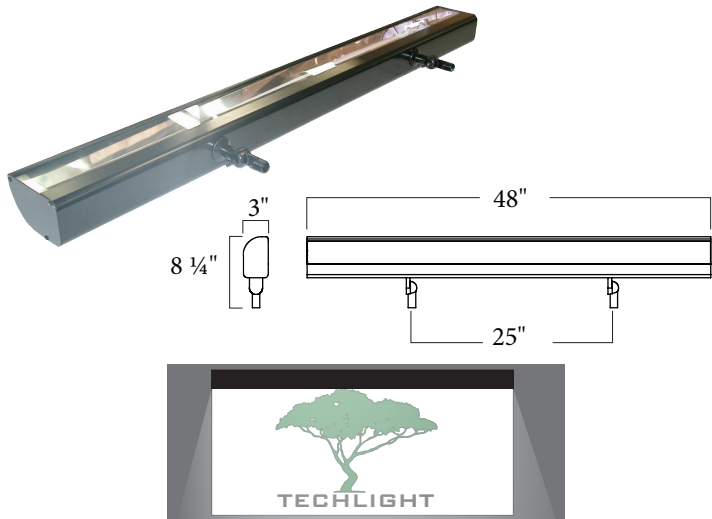


## TECHNICAL INFORMATION

Constructed of die cast aluminum, it is designed to operate PAR64 line voltage lamps. Light sources available up to 500W PAR64 Incandescent lamps. The fixture is finished with a durable polyester powdercoat paint.

## SPECIALTY LIGHTING

### Sign Lighter



## ORDERING INFORMATION

Description	Part Number
17W T8 24" SINGLE LAMP	SL117-24- (A)
24W T5 24" SINGLE LAMP	SL124-24- (A)
24W T5 24" DUAL LAMP	SL224-24- (A)
32W T8 48" SINGLE LAMP	SL132-48- (A)
54W T5 48" SINGLE LAMP	SL154-48- (A)
54W T5 48" DUAL LAMP	SL254-48- (A)

### Option Codes

#### (A) Finish

BK - Black  
BZ - Bronze  
GR - OD Green  
WH - White  
SP - Special

\*Two fixture limit when mounting in-line

## DESIGN

The SL Series of sign lighters offers an affordable sign lighting option for any sign, store front, or billboard. Energy efficient fluorescent lamps keep energy usage costs down while maintaining maximum light levels.

## ACCESSORIES

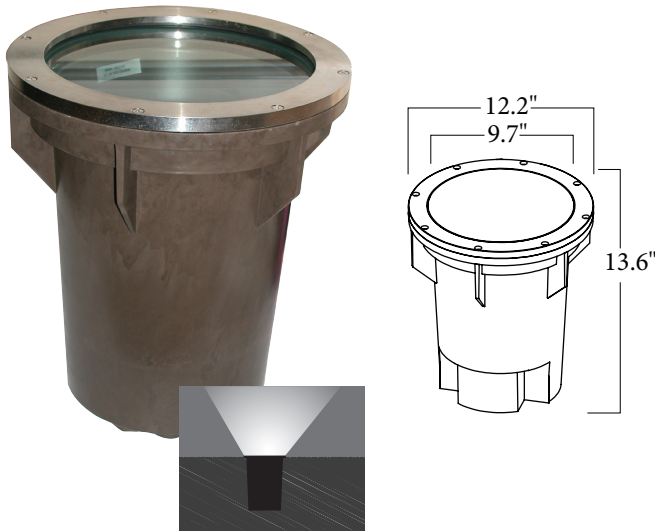
WALL MOUNT STAND-OFF BRACKET (38")  
PSLSOA

## TECHNICAL INFORMATION

Constructed of extruded aluminum, the weatherproof 48" long housings can be rotated over 180°. Provided with a durable acrylic lens. Light sources available up to two 54W T5 Linear Fluorescent lamps. The fixture is finished with a durable polyester powdercoat paint.

## SPECIALTY LIGHTING

### Flag Pole Burial Light



## DESIGN

The TDB4W Well Light was designed as a low profile in-ground HID well light for flag lighting applications. It can stand up to the corrosive forces of water, soil, and time. An assortment of finishing rings and lenses are available. An Anti-Siphon Chamber is provided to ensure no water can enter the main housing.

## ACCESSORIES



LARGE COMPOSITE  
ROCK GUARD  
TDB4-GRD-COM



LARGE CONCRETE  
POUR KIT  
PK4



LARGE STAINLESS STEEL  
RING  
TDB4-RG-SS



LARGE ANTI-  
FLOATATION DEVICE  
TDB4AFD



LARGE COMPOSITE  
RING  
TDB4-RG-COM

## ORDERING INFORMATION

Description	Part Number
175W E17 MH, SP REFL, COMP RING, FLAT LENS	TDB4W-1-4-2-1-13-(A)-(B)
175W E17 MH, SP REFL, COMP RING, CONV LENS	TDB4W-1-4-2-2-13-(A)-(B)
175W E17 MH, SP REFL, ROCK GRD, CONV LENS	TDB4W-2-4-2-2-13-(A)-(B)
175W E17 MH, FL REFL, COMP RING, FLAT LENS	TDB4W-1-4-1-1-13-(A)-(B)
175W E17 MH, FL REFL, COMP RING, CONV LENS	TDB4W-1-4-1-2-13-(A)-(B)
175W E17 MH, FL REFL, ROCK GRD, CONV LENS	TDB4W-2-4-1-2-13-(A)-(B)

### Option Codes

#### (A) Finish

BK - Black

BZ - Bronze

GR - OD Green

WH - White

SP - Special

#### (B) Cord

0 - No Cord

1 - 15'

2 - 30'

(Cord comes pre-wired from factory at specified voltage.)

## SHIELDS



LARGE GLARE SHIELD  
S39



LARGE FLAT GLASS  
LENS  
TDB4-GK-WO



LARGE CONVEX GLASS  
LENS  
TDB4-GK-CON



LARGE DIRECTIONAL  
LOUVER  
TDB4IDL



LARGE INTERNAL  
LOUVER  
TDB4GG

## TECHNICAL INFORMATION

Made from compression molded fiber reinforced polyester composite. Flood and spot optics available. The fixture can be used with a 175W E17 Metal Halide lamp. Two 3/4" NPT conduit entries are provided. Color impregnated SR2 composite will not flake or peel.