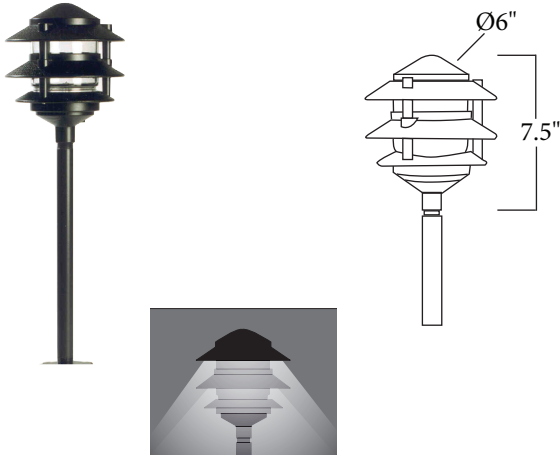


## PGL SERIES

### 6" Pagoda Area Light



## DESIGN

The PGL6 Path Light features the classic look of a pagoda top. The wide selection of finishes available allows this fixture to subtly blend into any landscape or lawn design. The textured surface enhances the overall aesthetic quality of this traditional fixture.

## ACCESSORIES



**MOUNTING STEM**  
2SPGL (2")  
6SPGL (6")  
12SPGL (12")  
18SPGL (18")



**MOUNTING STAKE**  
SMS (12" x 1")  
MMS (18" x 1")  
LMS (20" x 2 1/2")



**MOUNTING STAKE W/  
BRASS CAP**  
SMSB (12" x 1")  
MMSB (18" x 1")  
LMSB (20" x 2 1/2")

## ORDERING INFORMATION

Description	Part Number
20W, 12V, TRIPLE TIER, 6" TOP	PGL6A- (A)
7W PL WITH XFMR, TRIPLE TIER, 6" TOP	PGL64PL- (A)
Line Voltage Model Available	
120V, TRIPLE TIER, 6" TOP, NO LAMP	PGL6B- (A)

### Option Codes

#### (A) Finish

BK - Black  
BZ - Bronze  
GR - OD Green  
WH - White  
VRD- Verde  
SP - Special

\*Lamps included. Mounting stems and stakes must be ordered separately from fixture head. See accessories.

## TECHNICAL INFORMATION

Constructed of die cast aluminum, it is available with a separate 2", 6", 12", or 18" tall, 1/2" NPT stem, 20W 12V lamp (low voltage models only), and separate mounting stake. Available with a triple tier pagoda with a 6" diameter top. Provided with a 3' long 18 ga. whip and low voltage connector. The fixture is finished with a durable polyester powdercoat paint.