



Catalog Number	
Project	Type

FEATURES & SPECIFICATIONS

APPLICATION — The high performance luminaire is designed for applications where long life, low maintenance, and consistent color rendering are required. Areas with limited accessibility due to fixture location or where heavy traffic makes maintenance difficult are ideal applications such as parking garages, canopy lighting or low bay applications. The traditional design style of the luminaire allows it to be seamlessly integrated into existing systems when necessary.

CONSTRUCTION — The heavy duty housing is constructed of die cast aluminum. The optical assemblies are sealed in place using a silicone gasket for weather tight protection. Each individual LED head can be rotated and locked in 15° increments. The low profile housing is under 4" tall. ETL listed for wet locations (IP64). Additional IP66 rating available upon request.

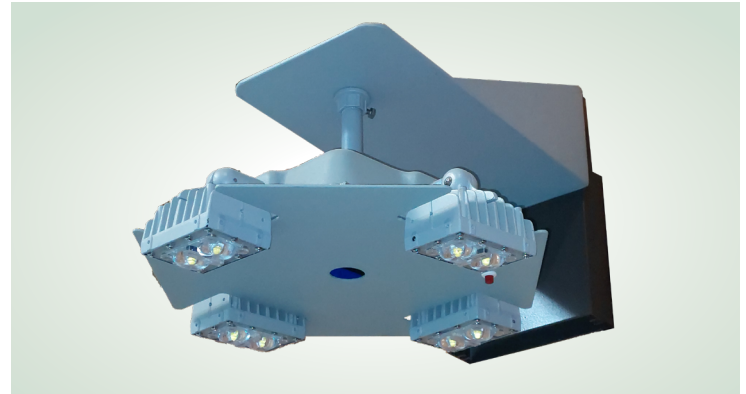
FINISH — A Super Durable Polyester powder coat finish is electrostatically applied in our state of the art paint facility. Standard colors available: Black, Bronze, US Green, White. Custom colors available upon request.

OPTICAL SYSTEM — Made with a state of the art UV stabilized acrylic high performance refractive optical assemblies that use high transmittivity materials to achieve precise photometric distributions. Individual rotating heads are available with Type III and Type V Wide beam configuration. A variety of shielding options are available to customize the light distribution for applications such as ramps or to reduce light pollution from escaping the lighted area.

ELECTRICAL SYSTEM — Available in a high output 4 or 8 LED system in 5000K Cool White (+/- 500K) or 4100K Neutral White color temperatures propagated with Philips Lumileds LUXEON® M LED's. Available with 90-300V 50/60 Hz Class II power supply. LED's rated over 1,478,000 hours (TM21 Calculated L70) at

LTL SERIES

Tetralux Garage Light



SERIES	HEIGHT LENGTH & WIDTH
LTL	3.86" x 15.9" x 15.9"

25°C ambient temperature at 1400mA operation. Lumen Maintenance >99% at 60K hrs. Optional 0-10V dimming. Built-in surge protection up to 10 kV. Built-in Active PFC Function >95%/Full load. LED Power Supply conforms to UL1310 Class 2 and UL8750 standards and is IP67 rated for wet locations.

MOUNTING — The fixture can be surface mounted over a standard 4" box (provided by others) using the pre-set mounting holes and hardware provided with surface mount option, may be mounted on a 1/2" pendant (ordered separately).

LISTINGS — LED Power Supply listed for wet locations (IP67). LED bricks ETL listed for wet locations (IP64). Meets US and Canadian safety standards. -40°C to 50°C ambient operation.

ORDERING INFORMATION

Choose the bold face options for the appropriate luminaire configuration for your application and enter on the line above each fixture attribute. Accessories may be factory installed, depending on the particular accessory chosen, but still be ordered as a separate line item.

EXAMPLE:

LTL 4 C 2 T5W F 1 BZ

SERIES	# OF BRICKS	COLOR TEMP/CCT	# LED'S PER BRICK	OPTICS	DRIVE CURRENT	VOLTAGE	FINISH	MOUNTING
LTL	4 = 4 Brick	N = Neutral White (4100K) C = Cool White (5000K)	1 = 1 LED 2 = 2 LED	T3 = Type III T5W = Type V Wide	F = 1400mA Driver H = 2100mA Driver	1 = Multi-Volt ¹	BZ = Bronze BK = Black GR = US Green WH = White SP = Special ²	P = Pendant ³ S = Surface

ACCESSORIES (Order as separate line items)

DIM⁴	Additional Input Ports for 0-10V Dimming	LTLEB	2000 Lumen/90 Minute Battery Back-Up
IP66⁵	Additional IP66 Fixture Rating	TLWSFSP-211	Fixture Mount Passive Infrared Motion Sensor (Lenses Ordered Separately)
PTPM4XX	Stem 1/2-14 NPS 4"	TLWSFSIR-100	Remote Handheld Sensor Configuration Tool
PTPM6XX	Stem 1/2-14 NPS 6"	TLWSFSP-L2	360° lens, maximum coverage 48' diameter from 8' height
PTPM8XX	Stem 1/2-14 NPS 8"	TLWSFSP-L3	360° lens, maximum coverage 40' diameter from 20' height
PTPM12XX	Stem 1/2-14 NPS 12"	TLWSFSP-L4	360° lens, maximum coverage 60' diameter from 40' height
PTPM18XX	Stem 1/2-14 NPS 18"	TLWSFSP-L7	360° lens, maximum coverage 100' diameter from 40' height
PTPM24XX	Stem 1/2-14 NPS 24"		
S211	Sliding Adjustable Shield (one)		
S212	Bending Adjustable Shield (one)		

NOTES

- 1 - Multi-Volt is an auto ranging power supply from 90V to 300V input.
 - 2 - Custom RAL color matching is available. Contact your Techlight sale representative for additional information.
 - 3 - Pendants and pendant mount accessories sold separately. See Accessories for available options.
 - 4 - Dimming feature must be ordered prior to manufacture of fixture and cannot be field installed.
 - 5 - Additional IP66 rating may not be changed once production has begun on the fixtures.
- XX - Denotes finish of stem (BZ, BK, GR, WH or SP)



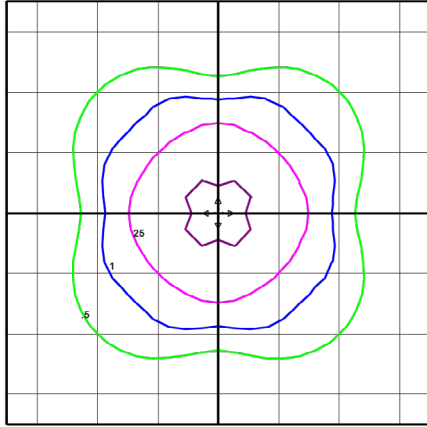
LTL TETRALUX GARAGE LIGHT

PHOTOMETRIC CHARACTERISTICS

IES INDOOR REPORT PHOTOMETRIC FILE NAME: LTL4C2T3F

Type III Optical Assembly 4 Brick,
1400mA, Neutral White

71W LTL Tetralux
Color Temperature: 4,100 K



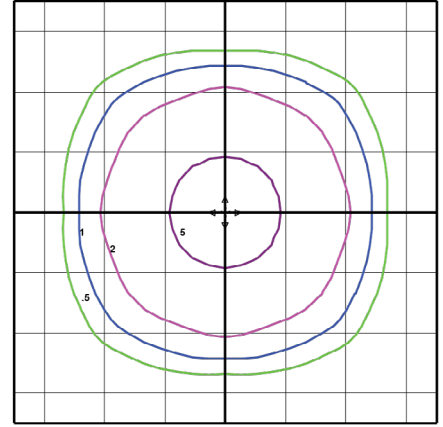
TECHLIGHT
TETRALUX - T3
LED LUXEON M
15 DEGREE TILT - ALL BRICKS

HORIZONTAL FOOTCANDLES
SCALE: 1 INCH = 10 FT.
LIGHT LOSS FACTOR = 1.00
MOUNTING HEIGHT = 8.00 FT. TILT = 15 DEGREES
TOTAL LAMP LUMENS = 1800
Maximum Calculated Value = 5.82 Fc
Arrangement: 4 @ 90 Degrees
Arm Length = .7 Ft

IES INDOOR REPORT PHOTOMETRIC FILE NAME: LTL4C2T3F

Type III Optical Assembly 4 Brick,
1400mA, Neutral White

71W LTL Tetralux
Color Temperature: 4,100 K



TECHLIGHT
TETRALUX - T3W
LED LUXEON M
NO TILT

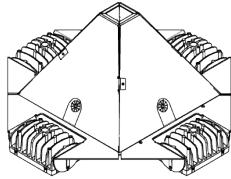
HORIZONTAL FOOTCANDLES
SCALE: 1 INCH = 10 FT.
LIGHT LOSS FACTOR = 1.00
LUMENS PER LAMP = 900 (2) LAMPS
TOTAL LAMP LUMENS = 1800
MOUNTING HEIGHT = 8.00 FT
Maximum Calculated Value = 8.00 Fc
Arrangement: 4 @ 90 Degrees
Arm Length = .7 Ft

ADDITIONAL FIXTURE ACCESSORIES

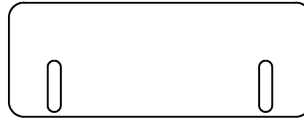
PTPM18(xx)
(4", 6", 8", 12", 18" or 24")
18" Rigid Pendant - designate
length & Finish (xx)



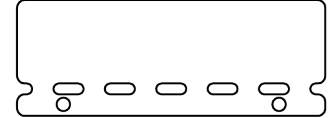
TLXBRDGRD
Bird Guard for Pendant Mounting Pendant



S211
Sliding Adjustable Shield (one)



S212
Bending Adjustable Shield (one)



ADDITIONAL FIXTURE ACCESSORIES

# of Bricks	# of LEDs Per Brick	Color Temp	Delivered Lumens		System Wattage	B50 L70 @ 25°C	Amperage Draw			
			TYPE III	TYPE V WIDE			120V	208V	240V	277V
4 BRICK	1	NW	3749	3856	37W	> 1.47M	.31 A	.18 A	.16 A	.14 A
4 BRICK	1	NW	7292	7500	71W	> 1.47M	.60 A	.35 A	.30 A	.26 A



TECHLIGHT
INNOVATION IN ILLUMINATION

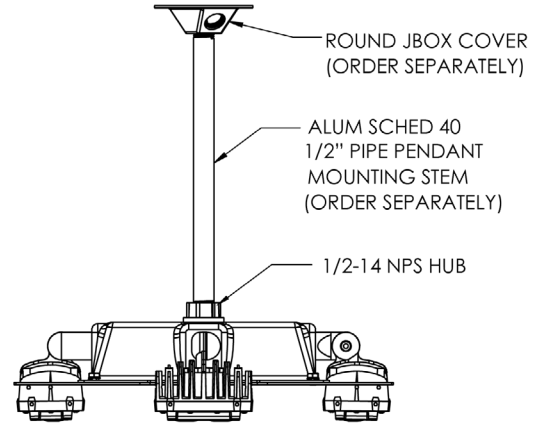
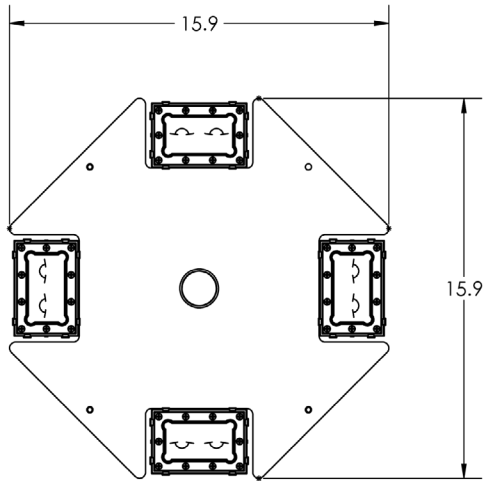
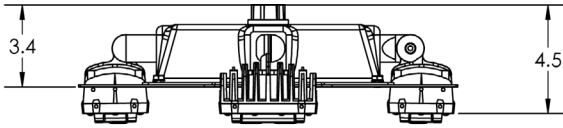
2707 SATSUMA | DR. DALLAS, TX 75229 | PH: 800.225.0727 | FX: 214.350.0591 | www.techlight.com

All dimensions and specifications are subject to change without notice.

REV: 20211124-09

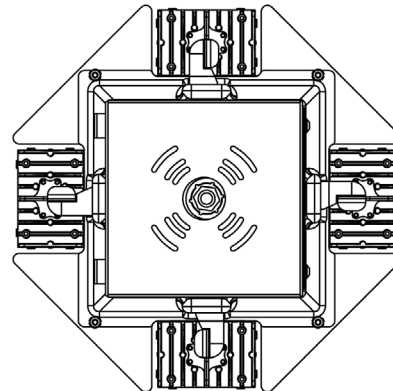
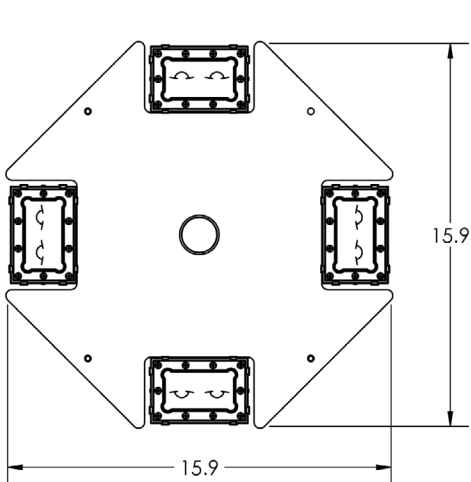
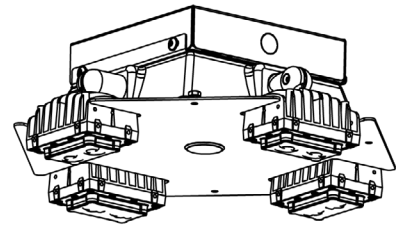
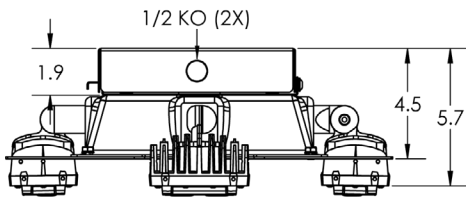
FIXTURE DIMENSIONS

PENDANT MOUNT



SURFACE MOUNT (MOUNTS TO VARIOUS STD JUNCTION BOXES)

Ceiling Hinged Quick Mount



TECHLIGHT
INNOVATION IN ILLUMINATION