



Catalog Number	
Project	Type

## FEATURES & SPECIFICATIONS

**APPLICATION** — The high performance luminaire is designed for petroleum station canopy applications where long life, low maintenance, and consistent color rendering is required. All areas with limited accessibility due to fixture location or where heavy pedestrian or vehicle traffic makes maintenance difficult are ideal applications such as for this fixture.

**CONSTRUCTION** — The heavy duty LED housing is constructed of cast aluminum. The mounting box is constructed of .063" thick sheet aluminum with a welded seam. The hinged door frame is constructed of .093" sheet aluminum. An EPDM foam and silicone rubber gasket is used for a watertight seal.

**FINISH** — A Super Durable Polyester powder coat finish is electrostatically applied in our state of the art paint facility. Standard colors available: White. Custom colors available upon request.

**OPTICAL SYSTEM** — Light is directed through a clear, flat tempered glass lens providing a uniform and symmetrical light pattern.

**ELECTRICAL SYSTEM** — Available in 5000K Cool White (+/- 150K) color temperatures propagated with LG Innatek 3030 LED's. Minimum 80 CRI. Available with 90-300V 50/60 Hz. LED's rated over 50,000 hours (TM21 Calculated L70) at 25°C ambient temperature with available 1250mA operation. Lumen Maintenance >97% at 50K hrs. 347V and 480V input options available. Standard 0-10V dimming. Driver provided with integral 4kV surge protection that meets IEEE C62.42.2-2002. 10kV Surge Suppressor standard. Built-in Active PFC Function. LED Power Supply conforms to UL1310 Class 2 and UL8750 standards and is IP67 rated for wet locations.

# L2PCR SERIES

## GEN 2 LED Petroleum Canopy Surface Mount



SERIES	HOUSING HEIGHT	LENGTH & WIDTH
<b>L2PCR</b>	2.88"	24.00" x 24.00"

**MOUNTING** — The fixture can be easily installed by one person. It may be mounted into a 12" or 16" deck pan. Door/LED assembly utilizes quick release hinges to allow the fixture body to be mounted first using 4 Pan Truss screws. Door/LED assembly may then be attached to the body and wiring connections made. A silicone sponge gasket and clamping plate is installed from the top of the canopy to prevent water intrusion. Incoming power connections can then be made inside a wet location junction box (provided by others).

**LISTINGS** — ETL listed for wet locations (IP64). Meets US and Canadian safety standards. -40°C to 40°C ambient operation. RoHS Compliant.

## ORDERING INFORMATION

Choose the bold face options for the appropriate luminaire configuration for your application and enter on the line above each fixture attribute. Accessories may be factory installed, depending on the particular accessory chosen, but still be ordered as a separate line item.

EXAMPLE:

**L2PCRCWGM1WH**

L2PC							
SERIES	MOUNTING	COLOR TEMP	OPTICS	DRIVE CURRENT	VOLTAGE	FINISH	OPTIONS
	<b>R</b> = 2x2 Surface Mount Unit	<b>CW</b> = Cool White (5000K)	<b>G</b> = Symmetric with Flat Tempered Glass Lens <b>AS</b> = Asymmetric with Flat Tempered Glass Lens	<b>M</b> = 1250 mA	<b>1</b> = Multi-Volt <sup>1</sup> <b>2</b> = 480V <b>3</b> = 347	<b>WH</b> = White <b>SP</b> = Special <sup>2</sup>	<b>SCE</b> = Side Conduit Entry

## NOTES

1 = Multi-Volt is an auto ranging power supply from 100V to 300V input.

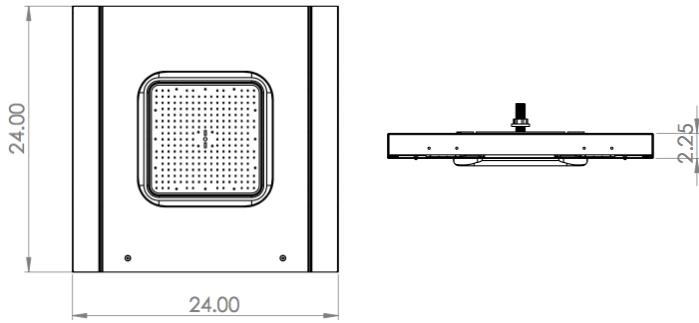
2 = Custom RAL color matching is available. Contact your sales representative for additional info.



# L2PCR GEN 2 LED Petroleum Canopy Surface Mount

## FIXTURE DIMENSIONS

Dimensions shown are for fixture bodies only. Mounting options must be ordered separately.



## LUMINAIRE CHARACTERISTICS

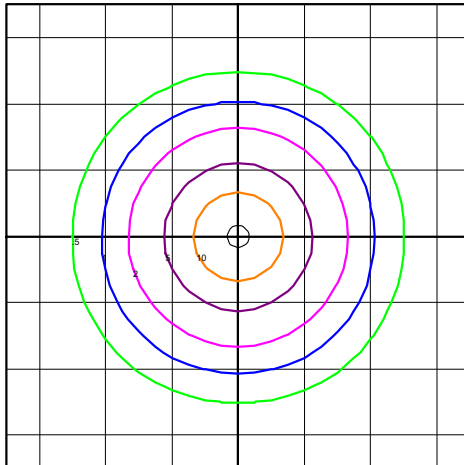
Drive Current	Color Temp	Delivered Lumens Symmetric	Delivered Lumens Asymmetric	System Wattage	L70 @ 25°C	Amperage Draw			
						120V	208V	240V	277V
1250 mA	CW	14266	12125	132W	>50K	1.10 A	.63 A	.55 A	.48 A

## PHOTOMETRICS

### IES INDOOR REPORT PHOTOMETRIC FILE NAME: L2PCRCWGM1

**1250 mA, Cool White,  
Symmetric**

132W L2PC Canopy  
Color Temperature: 5,000 K



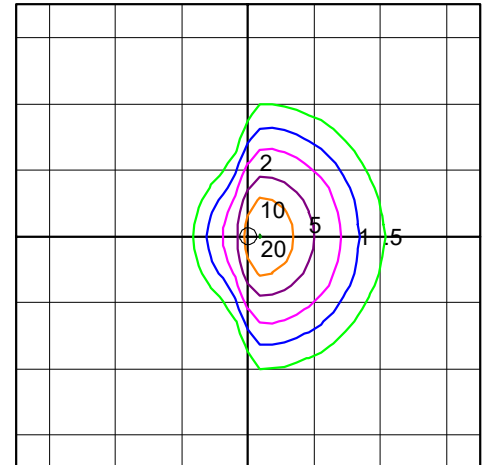
TECHLIGHT  
PHOTOMETRIC FILE NAME: L2PCRCWGM1  
PETROLEUM CANOPY SYMMETRIC

Horizontal Footcandles  
Scale: 1 Inch = 15FL  
Light Loss Factor = 1.00  
Lumens Per Lamp = N/A (absolute photometry)  
Luminaire Lumens = 14266  
Mounting Height = 18.00 Ft  
Maximum Calculated Value = 17.279 Fc  
Arrangement: Single

### IES INDOOR REPORT PHOTOMETRIC FILE NAME: L2PCRCWASM1

**1250mA, Cool White,  
Asymmetric**

132W L2PC Canopy  
Color Temperature: 5,000 K



TECHLIGHT  
PHOTOMETRIC FILE NAME: L2PCRCWASM1  
PETROLEUM CANOPY ASYMMETRIC

Horizontal Footcandles  
Scale: 1 Inch = 20FL  
Light Loss Factor = 1.00  
Lumens Per Lamp = N/A (absolute photometry)  
Luminaire Lumens = 12125  
Mounting Height = 18.00 Ft  
Maximum Calculated Value = 20.19 Fc  
Arrangement: Single

**WARNING:** Maintenance performed including the replacement of LED bricks while power is still supplied to the luminaire may result in system failures and will void the warranty.



**TECHLIGHT**  
INNOVATION IN ILLUMINATION

2707 SATSUMA | DR. DALLAS, TX 75229 | PH: 800.225.0727 | FX: 214.350.0591 | www.techlight.com

\*\*All dimensions and specifications are subject to change without notice.\*\*

REV: 20210412-03