



Catalog Number	
Project	Type

FEATURES & SPECIFICATIONS

CONSTRUCTION

Made from a compression molded, fiberglass reinforced polyester composite housing. It is resistant to rust, corrosion, oils, gasoline, and detergents. Provided with a 600W Low Voltage transformer that is fully encapsulated. Comes standard with junction compartment and anti-siphon barrier. Corrosion resistant stainless steel hardware. Dark Bronze finish is standard on the burial box. ETL rated for wet locations.

ELECTRICAL SYSTEM

Housing is prewired with high temperature wire. Silicone filled, waterproof wire nuts and potting compound are provided for installation. 120V input / 12V output. Total wattage varies based on model type.

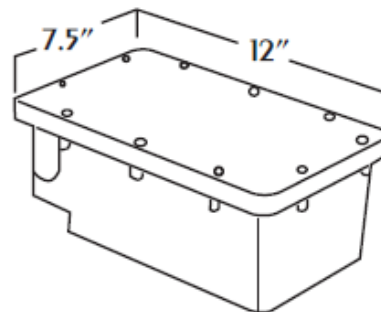
MOUNTING

Mount composite burial enclosure in excavated hole with allowance for a minimum of 3" backfill. Two 3/4" NPT and two 1/2" NPT conduit entries are provided. Flexible conduit (not provided) is recommended for connections to aid in fixture placement/adjustment. Housing cover is fully gasketed to provide a water tight seal.

**CBB LOW VOLTAGE
COMPOSITE BURIAL ENCLOSURE**



DIMENSIONS



Est Shipping Weight: 16 lbs

Please contact your Techlight Sales Representative for more information.

ORDERING NOMENCLATURE

CATALOG#

- CBB19 150W 120V/12V Low Voltage Enclosure
- CBB20 300W 120V/12V Low Voltage Enclosure
- CBB22 600W 120V/12V Low Voltage Enclosure