

Wit Pendant

700TDWIT 1.0



GENERAL PRODUCT INFORMATION:

This product is suitable for damp locations.

These fixtures are intended to be installed utilizing NEC compliant junction boxes.



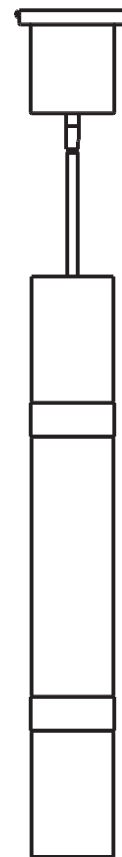
This product can be dimmed with most ELV or TRIAC dimmers.

The fixture can be mounted to a ceiling with a 45 degree slope maximum.

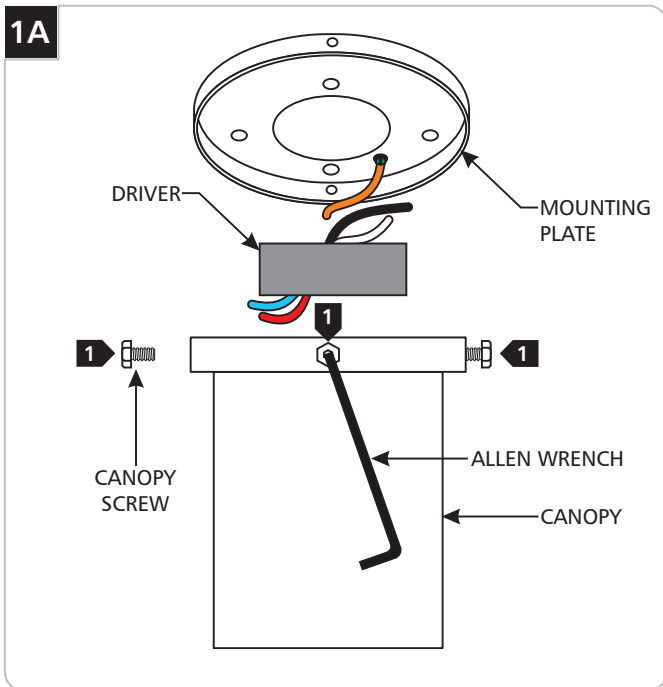
This instruction shows a typical installation.

CAUTION - RISK OF FIRE
 This product must be installed in accordance with the applicable installation code by a person familiar with the construction and operation of the product and the hazards involved.
 Use minimum 90°C supply conductors.

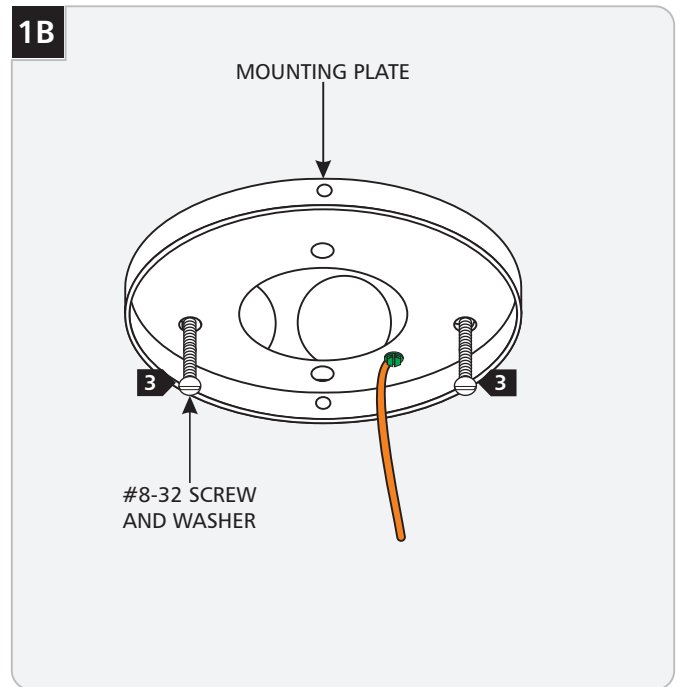
Two Person Installation Recommended



Install the Mounting Plate



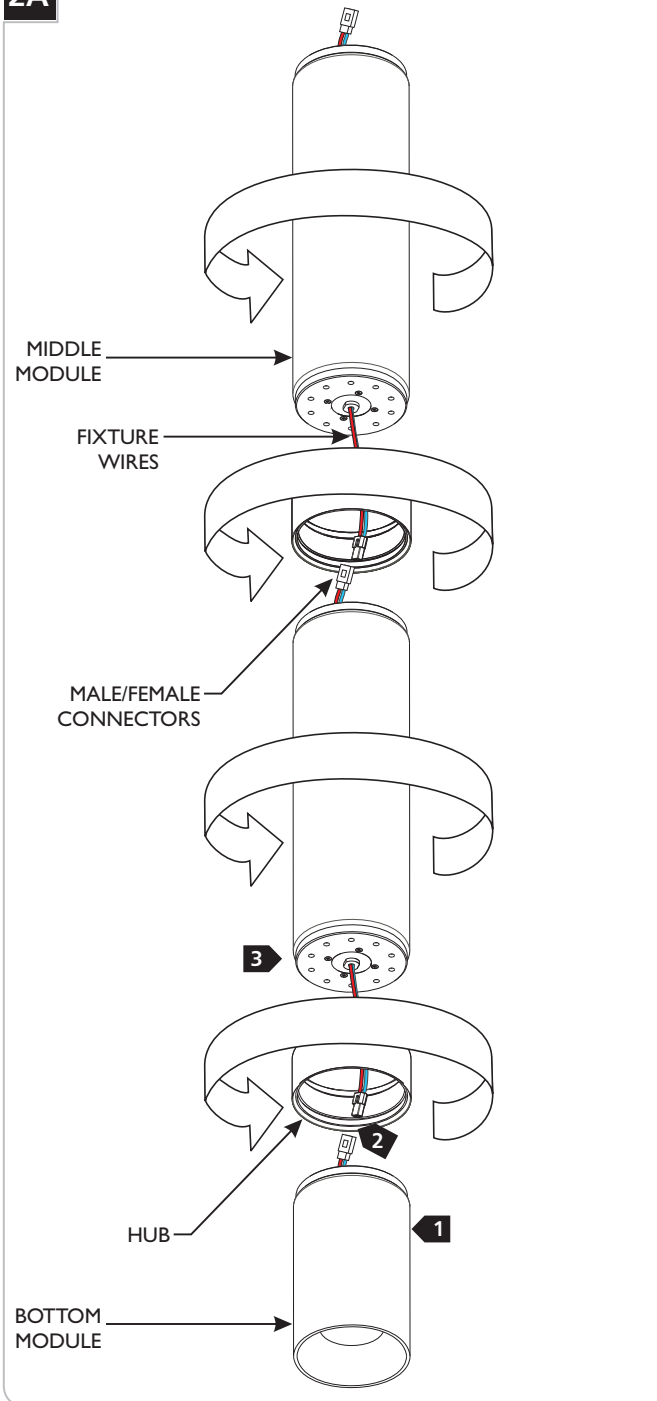
- 1** Remove all the canopy screws using the provided Allen Wrench.
- 2** Remove the mounting plate and driver from the canopy.



- 3** Secure the mounting plate to the electrical box with the #8-32 screws provided.

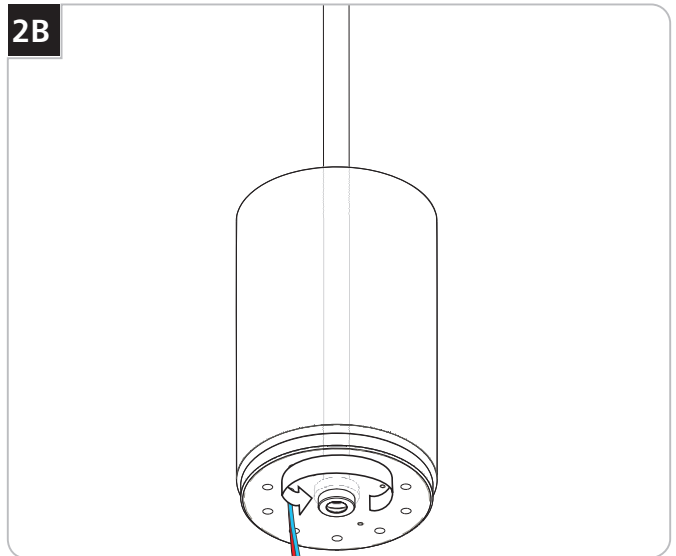
Assemble the Fixture

2A



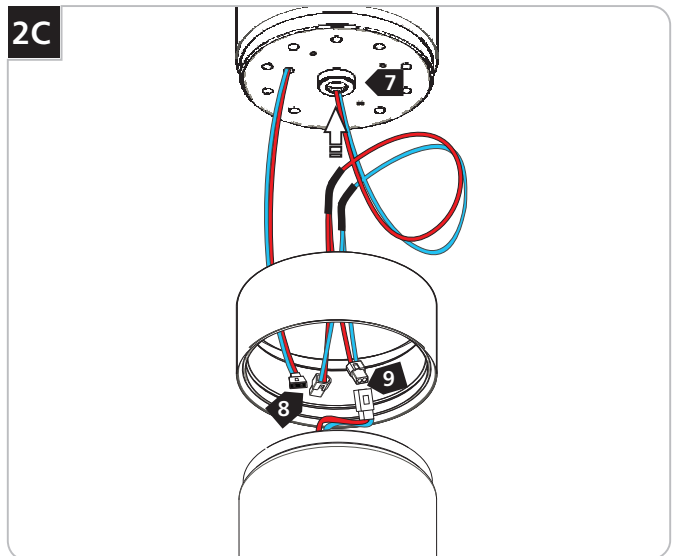
- 1 Screw the module with no hole in the diffuser on to the bottom hub until snug.
- 2 Connect the wiring harness to a middle module by inserting the male connector into the female connector.
- 3 Install the middle module to the hub. Rotate the middle module counter-clockwise a few turns before tightening to ensure they catch the threads of the hub. This will also counter wind the wiring harness to ensure the wires do not bind.
- 4 Repeat until all middle modules are all used.

2B

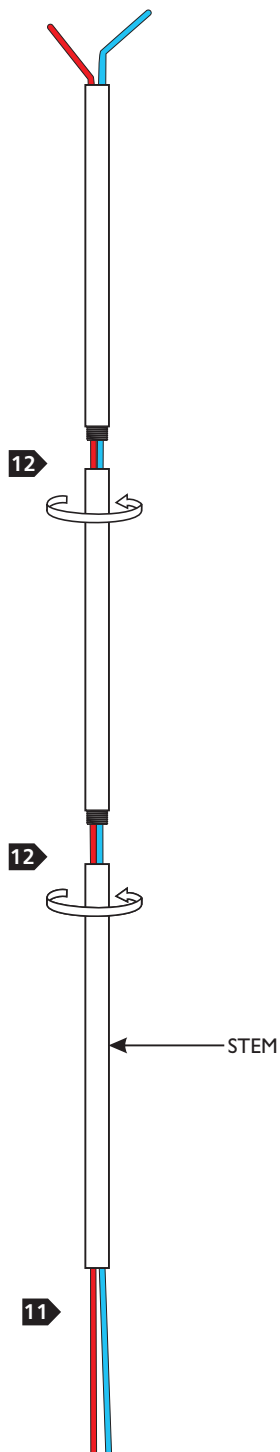


- 5 Insert the stem with threaded ring on the bottom of it in to the top module through the hole in the acrylic diffuser.
- 6 Thread the stem into the top module.

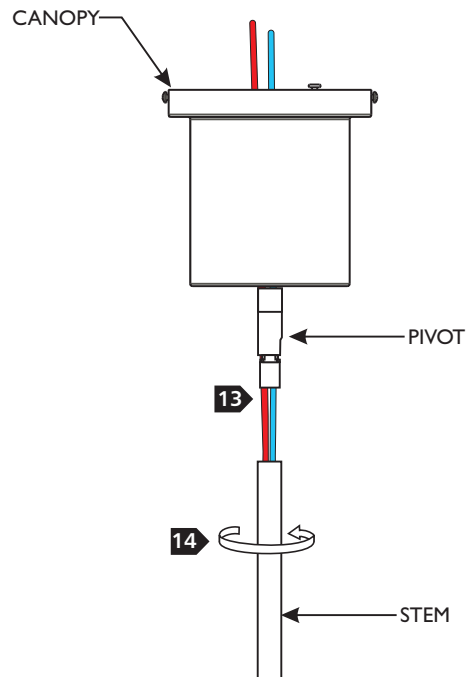
2C



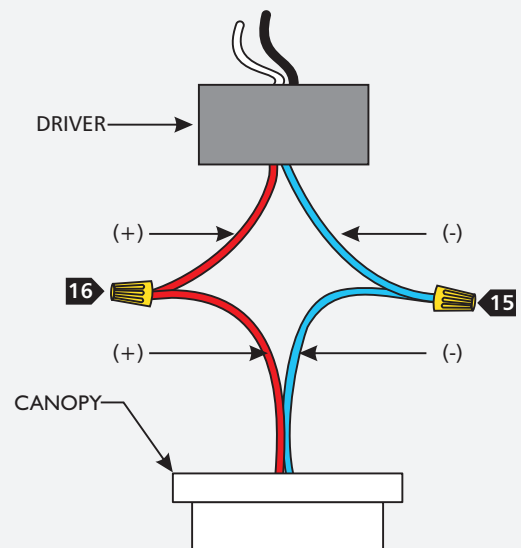
- 7 Feed the wiring harness through the top module and rigid stem assembly.
- 8 Connect one connector to the top module.
- 9 Connect the other connector to the module assembly.

2D

- 10** Determine the desired height of the fixture using the provided stems and assemble them by screwing them together.
- 11** Feed the fixture wires through the stem assembly.
- 12** Screw the stem assembly to the top module/stem assembly.

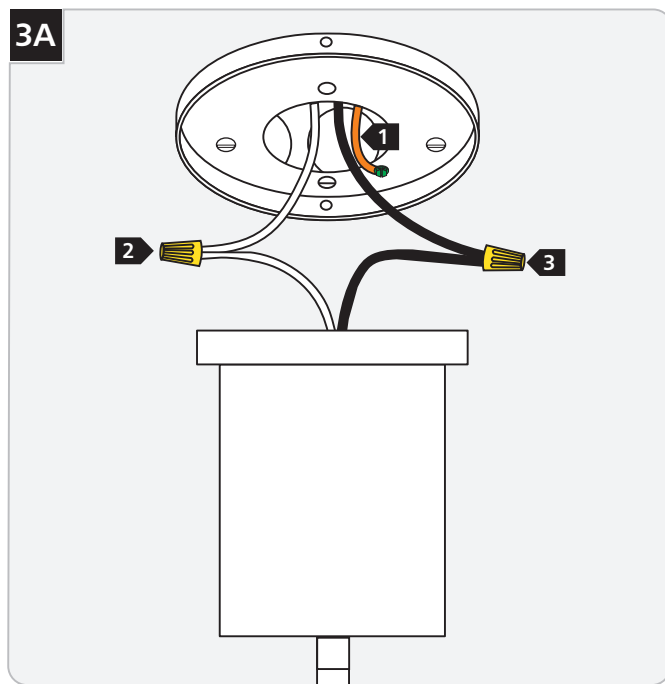
2E

- 13** Feed the wires into the canopy.
- 14** Screw the stem assembly to the pivot.

2F

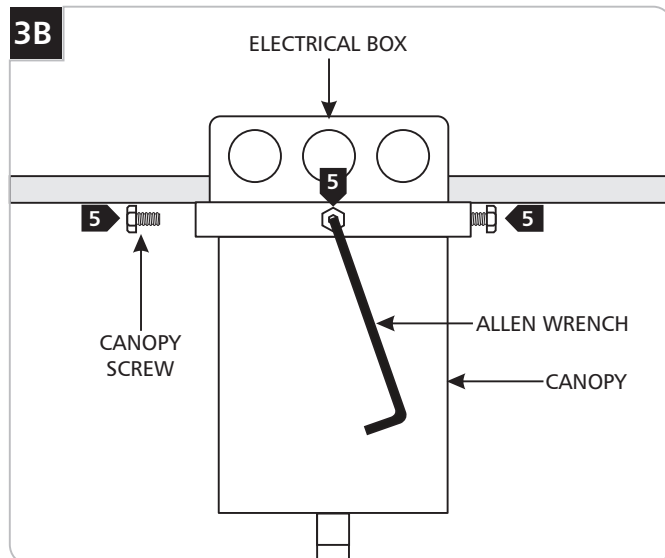
- 15** Connect the blue(-) driver wire to the black fixture wires with a wire nut.
- 16** Connect the red(+) driver wire to the red fixture wires with a wire nut.
- 17** Neatly place the driver and wires inside the canopy.

Install the Fixture



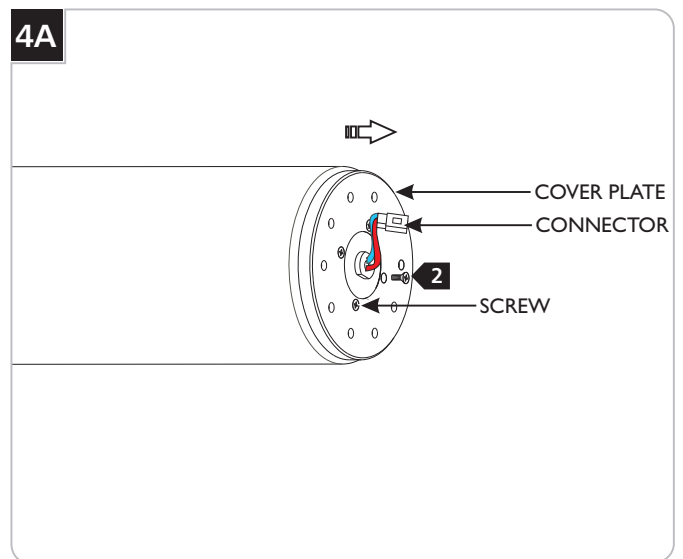
It is recommended to have another person hold the fixture up through out this series of steps.

- 1 While another person holds the fixture, connect the fixture to a suitable ground in accordance with local electrical codes.
- 2 Connect the white driver wire to the neutral power line wire with a wire nut.
- 3 Connect the black driver wire to the hot power line wire with a wire nut.



- 4 Neatly place all wires and wire nut connections inside the canopy.
- 5 Align the canopy holes with the mounting plate holes. Secure the canopy in place by tightening the canopy screws using the provided Allen Wrench.

(Optional) Access Inner Modules



Due to ventilation holes in the fixture it is possible that cleaning the interior of the glass modules may be necessary. Please turn off power to the fixture and have an assistant support the fixture to prevent damage during this process.

- 1 Separate the modules by reversing the assembly process for the modules as described in 2A.
- 2 Disconnect the connector from each end and unscrew the four screws on one cover plate.
- 3 Slide the inner module out of the glass to create enough room to clean the glass. Repeat as needed for all modules.
- 4 For reassembly, refer back to step 2A.

SAVE THESE INSTRUCTIONS!



TECH LIGHTING®

7400 Linder Ave, Skokie, IL 60077

847.410.4400

www.techlighting.com

© 2018 Tech Lighting, L.L.C. All rights reserved. The "Tech Lighting" graphic is a registered trademark of Tech Lighting, L.L.C. Tech Lighting reserves the right to change specifications for product improvements without notification.

A Generation Brands Company